

Section Three

Unequal Flange Equipment Rack

Contents

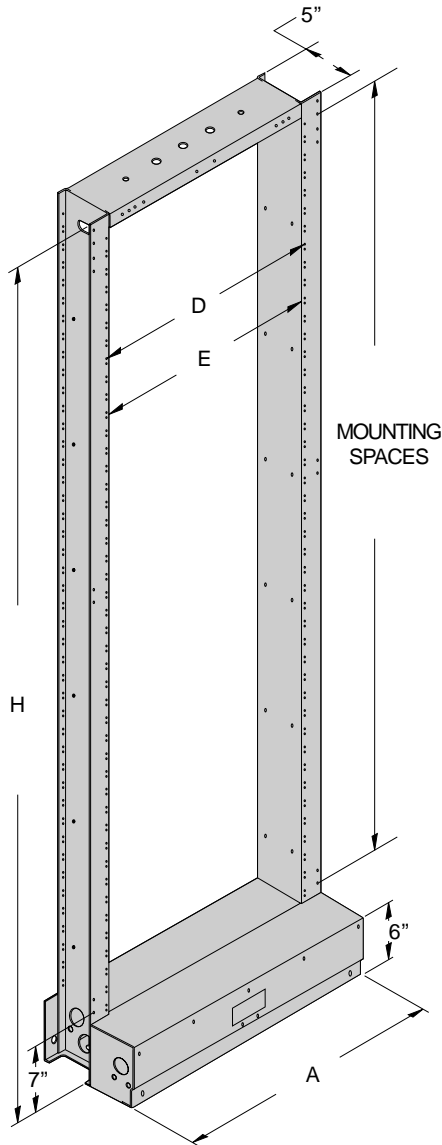
- Unequal Flange Equipment Rack (Closed Duct) 72-73
- Unequal Flange Equipment Rack (Open Duct) 74-75
- Unequal Flange Equipment Rack (Seismic Closed Duct) 76-77
- Unequal Flange Equipment Rack (Seismic Open Duct) 78-79
- Unequal Flange Equipment Rack Extension Kit (1-3/4" Mounting Spaces) 80
- Unequal Flange Equipment Rack Extension Kit (1" Mounting Spaces) 81
- Rear Guard Rail 82
- Rear Guard Rail With Cut Out 82
- Outlet Bracket Kit 83
- Juction Kit For Unequal Flange Rack 83
- Insulator Pad Kit 84
- Shim Kit 84
- Floor Mounting Kit With Expansion Shield 85
- Floor Mounting Kit With Self Drilling Anchor 85
- Floor Mounting Kit With Expansion Shield (Seismic) 86
- Tie Bar Kit 86
- Ground Bar 87
- Spacer Kit 87
- Guard Rail Bumper 88
- Endcover Kit 88

Unequal Flange Equipment Rack

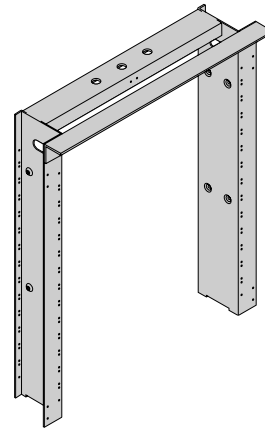
Unequal Flange Equipment Rack (Closed Duct)

Material	Finish	Notes
<ul style="list-style-type: none"> • 11 Gauge Sheet Metal • 7 Gauge Sheet Metal • 2" x 2" x 1/4" Steel Angle 	<ul style="list-style-type: none"> • GY = Gray • GR = Telco Gray • Other Colors Available 	<ul style="list-style-type: none"> • Additional Heights Available

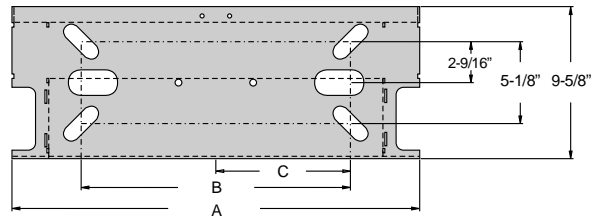
UFER



Top Angle Configuration on 8' and 9' Rack



Footprint



Unequal Flange Equipment Rack



Unequal Flange Equipment Rack (Closed Duct)

Material

- 11 Gauge Sheet Metal
- 7 Gauge Sheet Metal
- 2" x 2" x 1/4" Steel Angle

Finish

- GY = Gray
- GR = Telco Gray
- Other Colors Available

Notes

- Additional Heights Available

19" - Rack Width

1-3/4" Mounting Spaces

Part Number	H	A	B	C	D	E	Mtg. Sp.	Top Angle	Spacing	Weight(lbs.)
UF1001-84-XX	84"	21-7/8"	13-1/4"	6-5/8"	18-5/16"	17-1/2"	43	N	1-3/4"	69.0
UF1001-90-XX	90"	21-7/8"	13-1/4"	6-5/8"	18-5/16"	17-1/2"	46	Y	1-3/4"	77.0
UF1001-96-XX	96"	21-7/8"	13-1/4"	6-5/8"	18-5/16"	17-1/2"	49	Y	1-3/4"	83.0
UF1001-102-XX	102"	21-7/8"	13-1/4"	6-5/8"	18-5/16"	17-1/2"	52	Y	1-3/4"	90.0
UF1001-104-XX	104"	21-7/8"	13-1/4"	6-5/8"	18-5/16"	17-1/2"	54	Y	1-3/4"	93.0
UF1001-108-XX	108"	21-7/8"	13-1/4"	6-5/8"	18-5/16"	17-1/2"	56	Y	1-3/4"	95.0
UF1001-138-XX	138"	21-7/8"	13-1/4"	6-5/8"	18-5/16"	17-1/2"	73	Y	1-3/4"	120.0

23" - Rack Width

1-3/4" Mounting Spaces

Part Number	H	A	B	C	D	E	Mtg. Sp.	Top Angle	Spacing	Weight(lbs.)
UF1002-84-XX	84"	25-7/8"	17-1/4"	8-5/8"	22-5/16"	21-1/2"	43	N	1-3/4"	70.0
UF1002-90-XX	90"	25-7/8"	17-1/4"	8-5/8"	22-5/16"	21-1/2"	46	Y	1-3/4"	78.0
UF1002-96-XX	96"	25-7/8"	17-1/4"	8-5/8"	22-5/16"	21-1/2"	49	Y	1-3/4"	84.0
UF1002-102-XX	102"	25-7/8"	17-1/4"	8-5/8"	22-5/16"	21-1/2"	52	Y	1-3/4"	91.0
UF1002-104-XX	104"	25-7/8"	17-1/4"	8-5/8"	22-5/16"	21-1/2"	54	Y	1-3/4"	94.0
UF1002-108-XX	108"	25-7/8"	17-1/4"	8-5/8"	22-5/16"	21-1/2"	56	Y	1-3/4"	96.0
UF1002-138-XX	138"	25-7/8"	17-1/4"	8-5/8"	22-5/16"	21-1/2"	73	Y	1-3/4"	121.0

19" - Rack Width

1" Mounting Spaces

Part Number	H	A	B	C	D	E	Mtg. Sp.	Top Angle	Spacing	Weight(lbs.)
UF1003-84-XX	84"	21-7/8"	13-1/4"	6-5/8"	18-5/16"	17-1/2"	76	N	1"	69.0
UF1003-90-XX	90"	21-7/8"	13-1/4"	6-5/8"	18-5/16"	17-1/2"	82	Y	1"	77.0
UF1003-96-XX	96"	21-7/8"	13-1/4"	6-5/8"	18-5/16"	17-1/2"	86	Y	1"	83.0
UF1003-102-XX	102"	21-7/8"	13-1/4"	6-5/8"	18-5/16"	17-1/2"	90	Y	1"	90.0
UF1003-104-XX	104"	21-7/8"	13-1/4"	6-5/8"	18-5/16"	17-1/2"	94	Y	1"	93.0
UF1003-108-XX	108"	21-7/8"	13-1/4"	6-5/8"	18-5/16"	17-1/2"	98	Y	1"	95.0
UF1003-138-XX	138"	21-7/8"	13-1/4"	6-5/8"	18-5/16"	17-1/2"	128	Y	1"	120.0

23" - Rack Width

1" Mounting Spaces

Part Number	H	A	B	C	D	E	Mtg. Sp.	Top Angle	Spacing	Weight(lbs.)
UF1004-84-XX	84"	25-7/8"	17-1/4"	8-5/8"	22-5/16"	21-1/2"	76	N	1"	70.0
UF1004-90-XX	90"	25-7/8"	17-1/4"	8-5/8"	22-5/16"	21-1/2"	82	Y	1"	78.0
UF1004-96-XX	96"	25-7/8"	17-1/4"	8-5/8"	22-5/16"	21-1/2"	86	Y	1"	84.0
UF1004-102-XX	102"	25-7/8"	17-1/4"	8-5/8"	22-5/16"	21-1/2"	90	Y	1"	91.0
UF1004-104-XX	104"	25-7/8"	17-1/4"	8-5/8"	22-5/16"	21-1/2"	94	Y	1"	94.0
UF1004-108-XX	108"	25-7/8"	17-1/4"	8-5/8"	22-5/16"	21-1/2"	98	Y	1"	96.0
UF1004-138-XX	138"	25-7/8"	17-1/4"	8-5/8"	22-5/16"	21-1/2"	128	Y	1"	121.0

UFER

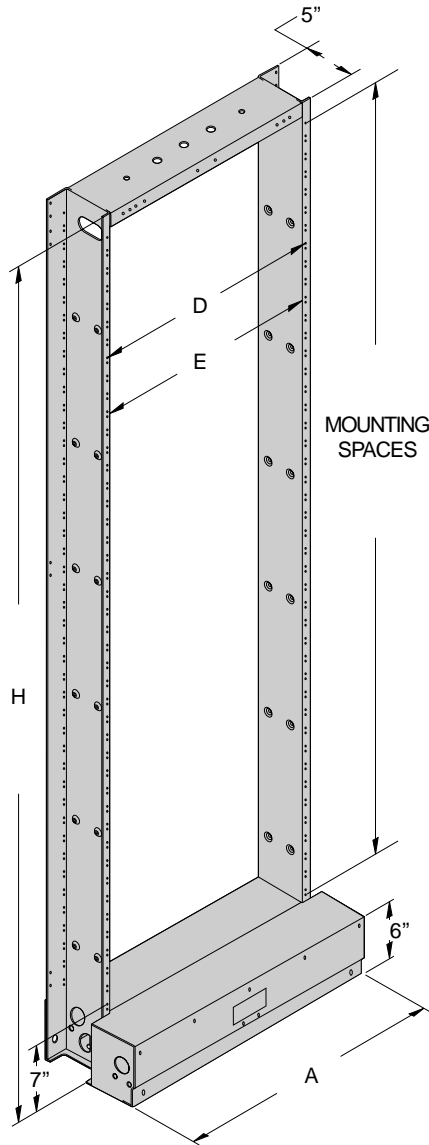


Unequal Flange Equipment Rack

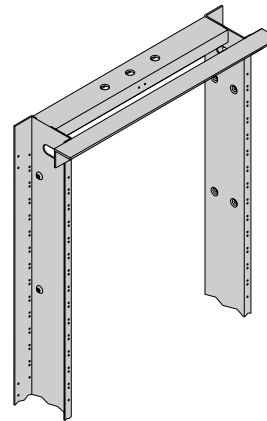
Unequal Flange Equipment Rack (Open Duct)

Material	Finish	Notes
<ul style="list-style-type: none"> • 11 Gauge Sheet Metal • 7 Gauge Sheet Metal • 2" x 2" x 1/4" Steel Angle 	<ul style="list-style-type: none"> • GY = Gray • GR = Telco Gray • Other Colors Available 	<ul style="list-style-type: none"> • Additional Heights Available

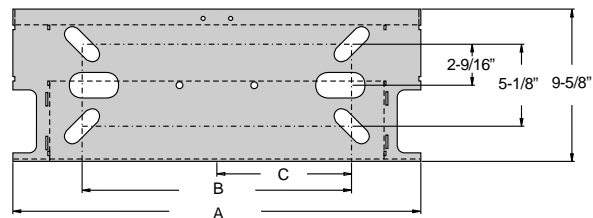
UFER



Top Angle Configuration on 8' and 9' Rack



Footprint



Unequal Flange Equipment Rack



Unequal Flange Equipment Rack (Open Duct)

Material

- 11 Gauge Sheet Metal
- 7 Gauge Sheet Metal
- 2" x 2" x 1/4" Steel Angle

Finish

- GY = Gray
- GR = Telco Gray
- Other Colors Available

Notes

- Additional Heights Available

19" - Rack Width

1-3/4" Mounting Spaces

Part Number	H	A	B	C	D	E	Mtg. Sp.	Top Angle	Spacing	Weight(lbs.)
UF1021-84-XX	84"	21-7/8"	13-1/4"	6-5/8"	18-5/16"	17-1/2"	43	N	1-3/4"	69.0
UF1021-90-XX	90"	21-7/8"	13-1/4"	6-5/8"	18-5/16"	17-1/2"	46	Y	1-3/4"	77.0
UF1021-96-XX	96"	21-7/8"	13-1/4"	6-5/8"	18-5/16"	17-1/2"	49	Y	1-3/4"	83.0
UF1021-102-XX	102"	21-7/8"	13-1/4"	6-5/8"	18-5/16"	17-1/2"	52	Y	1-3/4"	90.0
UF1021-104-XX	104"	21-7/8"	13-1/4"	6-5/8"	18-5/16"	17-1/2"	54	Y	1-3/4"	93.0
UF1021-108-XX	108"	21-7/8"	13-1/4"	6-5/8"	18-5/16"	17-1/2"	56	Y	1-3/4"	95.0
UF1021-138-XX	138"	21-7/8"	13-1/4"	6-5/8"	18-5/16"	17-1/2"	73	Y	1-3/4"	120.0

23" - Rack Width

1-3/4" Mounting Spaces

Part Number	H	A	B	C	D	E	Mtg. Sp.	Top Angle	Spacing	Weight(lbs.)
UF1022-84-XX	84"	25-7/8"	17-1/4"	8-5/8"	22-5/16"	21-1/2"	43	N	1-3/4"	70.0
UF1022-90-XX	90"	25-7/8"	17-1/4"	8-5/8"	22-5/16"	21-1/2"	46	Y	1-3/4"	78.0
UF1022-96-XX	96"	25-7/8"	17-1/4"	8-5/8"	22-5/16"	21-1/2"	49	Y	1-3/4"	84.0
UF1022-102-XX	102"	25-7/8"	17-1/4"	8-5/8"	22-5/16"	21-1/2"	52	Y	1-3/4"	91.0
UF1022-104-XX	104"	25-7/8"	17-1/4"	8-5/8"	22-5/16"	21-1/2"	54	Y	1-3/4"	94.0
UF1022-108-XX	108"	25-7/8"	17-1/4"	8-5/8"	22-5/16"	21-1/2"	56	Y	1-3/4"	96.0
UF1022-138-XX	138"	25-7/8"	17-1/4"	8-5/8"	22-5/16"	21-1/2"	73	Y	1-3/4"	121.0

19" - Rack Width

1" Mounting Spaces

Part Number	H	A	B	C	D	E	Mtg. Sp.	Top Angle	Spacing	Weight(lbs.)
UF1023-84-XX	84"	21-7/8"	13-1/4"	6-5/8"	18-5/16"	17-1/2"	76	N	1"	69.0
UF1023-90-XX	90"	21-7/8"	13-1/4"	6-5/8"	18-5/16"	17-1/2"	82	Y	1"	77.0
UF1023-96-XX	96"	21-7/8"	13-1/4"	6-5/8"	18-5/16"	17-1/2"	86	Y	1"	83.0
UF1023-102-XX	102"	21-7/8"	13-1/4"	6-5/8"	18-5/16"	17-1/2"	90	Y	1"	90.0
UF1023-104-XX	104"	21-7/8"	13-1/4"	6-5/8"	18-5/16"	17-1/2"	94	Y	1"	93.0
UF1023-108-XX	108"	21-7/8"	13-1/4"	6-5/8"	18-5/16"	17-1/2"	98	Y	1"	95.0
UF1023-138-XX	138"	21-7/8"	13-1/4"	6-5/8"	18-5/16"	17-1/2"	128	Y	1"	120.0

23" - Rack Width

1" Mounting Spaces

Part Number	H	A	B	C	D	E	Mtg. Sp.	Top Angle	Spacing	Weight(lbs.)
UF1024-84-XX	84"	25-7/8"	17-1/4"	8-5/8"	22-5/16"	21-1/2"	76	N	1"	70.0
UF1024-90-XX	90"	25-7/8"	17-1/4"	8-5/8"	22-5/16"	21-1/2"	82	Y	1"	78.0
UF1024-96-XX	96"	25-7/8"	17-1/4"	8-5/8"	22-5/16"	21-1/2"	86	Y	1"	84.0
UF1024-102-XX	102"	25-7/8"	17-1/4"	8-5/8"	22-5/16"	21-1/2"	90	Y	1"	91.0
UF1024-104-XX	104"	25-7/8"	17-1/4"	8-5/8"	22-5/16"	21-1/2"	94	Y	1"	94.0
UF1024-108-XX	108"	25-7/8"	17-1/4"	8-5/8"	22-5/16"	21-1/2"	98	Y	1"	96.0
UF1024-138-XX	138"	25-7/8"	17-1/4"	8-5/8"	22-5/16"	21-1/2"	128	Y	1"	121.0

UFER

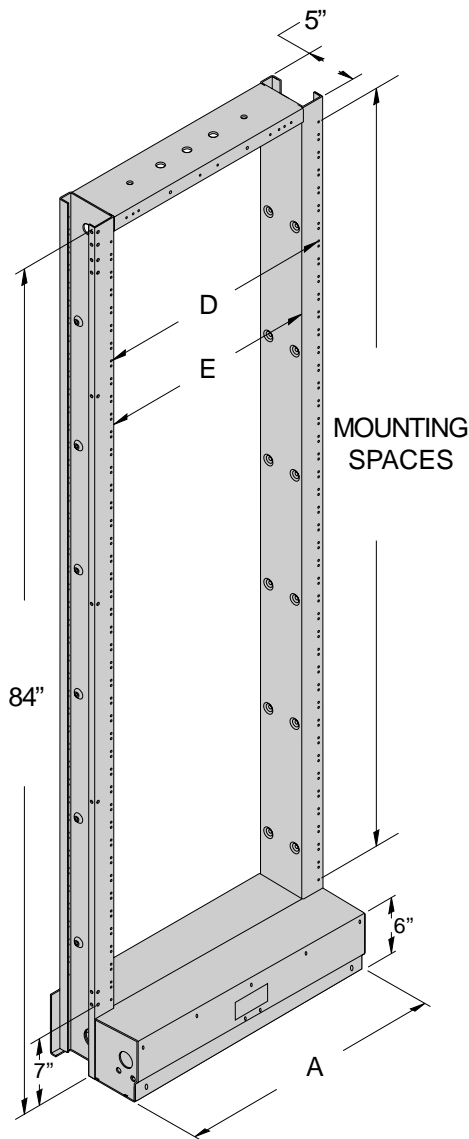


Unequal Flange Equipment Rack

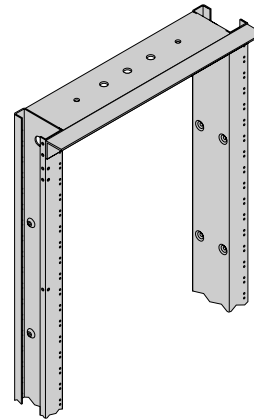
Unequal Flange Equip. Rack (Seismic Closed Duct)

Material	Finish	Notes
<ul style="list-style-type: none"> • 11 Gauge Sheet Metal • 7 Gauge Sheet Metal 	<ul style="list-style-type: none"> • GY = Gray • GR = Telco Gray • Other Colors Available 	<ul style="list-style-type: none"> • Compliant to Telcordia GR-63 -CORE NEBS Requirements for Zone 4 Applications (84" only)

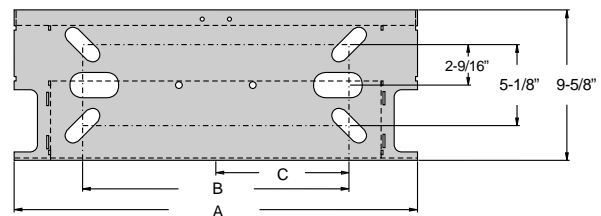
UFER



Top Angle Configuration on 8' Rack



Footprint



Unequal Flange Equipment Rack



Unequal Flange Equip. Rack (Seismic Closed Duct)

Material

- 11 Gauge Sheet Metal
- 7 Gauge Sheet Metal

Finish

- GY = Gray
- GR = Telco Gray
- Other Colors Available

Notes

- Compliant to Telcordia GR-63 -CORE NEBS Requirements for Zone 4 Applications (84" only)

19" - Rack Width

1-3/4" Mounting Spaces

Part Number	H	A	B	C	D	E	Mtg. Sp.	Top Angle	Spacing	Weight(lbs.)
UF1031-84-XX	84"	21-7/8"	13-1/4"	6-5/8"	18-5/16"	17-1/2"	43	N	1-3/4"	69.0
UF1031-90-XX	90"	21-7/8"	13-1/4"	6-5/8"	18-5/16"	17-1/2"	46	Y	1-3/4"	77.0
UF1031-96-XX	96"	21-7/8"	13-1/4"	6-5/8"	18-5/16"	17-1/2"	49	Y	1-3/4"	83.0
UF1031-102-XX	102"	21-7/8"	13-1/4"	6-5/8"	18-5/16"	17-1/2"	52	Y	1-3/4"	90.0
UF1031-104-XX	104"	21-7/8"	13-1/4"	6-5/8"	18-5/16"	17-1/2"	54	Y	1-3/4"	93.0
UF1031-108-XX	108"	21-7/8"	13-1/4"	6-5/8"	18-5/16"	17-1/2"	56	Y	1-3/4"	95.0
UF1031-138-XX	138"	21-7/8"	13-1/4"	6-5/8"	18-5/16"	17-1/2"	73	Y	1-3/4"	120.0

23" - Rack Width

1-3/4" Mounting Spaces

Part Number	H	A	B	C	D	E	Mtg. Sp.	Top Angle	Spacing	Weight(lbs.)
UF1032-84-XX	84"	25-7/8"	17-1/4"	8-5/8"	22-5/16"	21-1/2"	43	N	1-3/4"	70.0
UF1032-90-XX	90"	25-7/8"	17-1/4"	8-5/8"	22-5/16"	21-1/2"	46	Y	1-3/4"	78.0
UF1032-96-XX	96"	25-7/8"	17-1/4"	8-5/8"	22-5/16"	21-1/2"	49	Y	1-3/4"	84.0
UF1032-102-XX	102"	25-7/8"	17-1/4"	8-5/8"	22-5/16"	21-1/2"	52	Y	1-3/4"	91.0
UF1032-104-XX	104"	25-7/8"	17-1/4"	8-5/8"	22-5/16"	21-1/2"	54	Y	1-3/4"	94.0
UF1032-108-XX	108"	25-7/8"	17-1/4"	8-5/8"	22-5/16"	21-1/2"	56	Y	1-3/4"	96.0
UF1032-138-XX	138"	25-7/8"	17-1/4"	8-5/8"	22-5/16"	21-1/2"	73	Y	1-3/4"	121.0

19" - Rack Width

1" Mounting Spaces

Part Number	H	A	B	C	D	E	Mtg. Sp.	Top Angle	Spacing	Weight(lbs.)
UF1033-84-XX	84"	21-7/8"	13-1/4"	6-5/8"	18-5/16"	17-1/2"	76	N	1"	69.0
UF1033-90-XX	90"	21-7/8"	13-1/4"	6-5/8"	18-5/16"	17-1/2"	82	Y	1"	77.0
UF1033-96-XX	96"	21-7/8"	13-1/4"	6-5/8"	18-5/16"	17-1/2"	86	Y	1"	83.0
UF1033-102-XX	102"	21-7/8"	13-1/4"	6-5/8"	18-5/16"	17-1/2"	90	Y	1"	90.0
UF1033-104-XX	104"	21-7/8"	13-1/4"	6-5/8"	18-5/16"	17-1/2"	94	Y	1"	93.0
UF1033-108-XX	108"	21-7/8"	13-1/4"	6-5/8"	18-5/16"	17-1/2"	98	Y	1"	95.0
UF1033-138-XX	138"	21-7/8"	13-1/4"	6-5/8"	18-5/16"	17-1/2"	128	Y	1"	120.0

23" - Rack Width

1" Mounting Spaces

Part Number	H	A	B	C	D	E	Mtg. Sp.	Top Angle	Spacing	Weight(lbs.)
UF1034-84-XX	84"	25-7/8"	17-1/4"	8-5/8"	22-5/16"	21-1/2"	76	N	1"	70.0
UF1034-90-XX	90"	25-7/8"	17-1/4"	8-5/8"	22-5/16"	21-1/2"	82	Y	1"	78.0
UF1034-96-XX	96"	25-7/8"	17-1/4"	8-5/8"	22-5/16"	21-1/2"	86	Y	1"	84.0
UF1034-102-XX	102"	25-7/8"	17-1/4"	8-5/8"	22-5/16"	21-1/2"	90	Y	1"	91.0
UF1034-104-XX	104"	25-7/8"	17-1/4"	8-5/8"	22-5/16"	21-1/2"	94	Y	1"	94.0
UF1034-108-XX	108"	25-7/8"	17-1/4"	8-5/8"	22-5/16"	21-1/2"	98	Y	1"	96.0
UF1034-138-XX	138"	25-7/8"	17-1/4"	8-5/8"	22-5/16"	21-1/2"	128	Y	1"	121.0

UFER



Unequal Flange Equipment Rack

Unequal Flange Equip. Rack (Seismic Open Duct)

Material

- 11 Gauge Sheet Metal
- 7 Gauge Sheet Metal

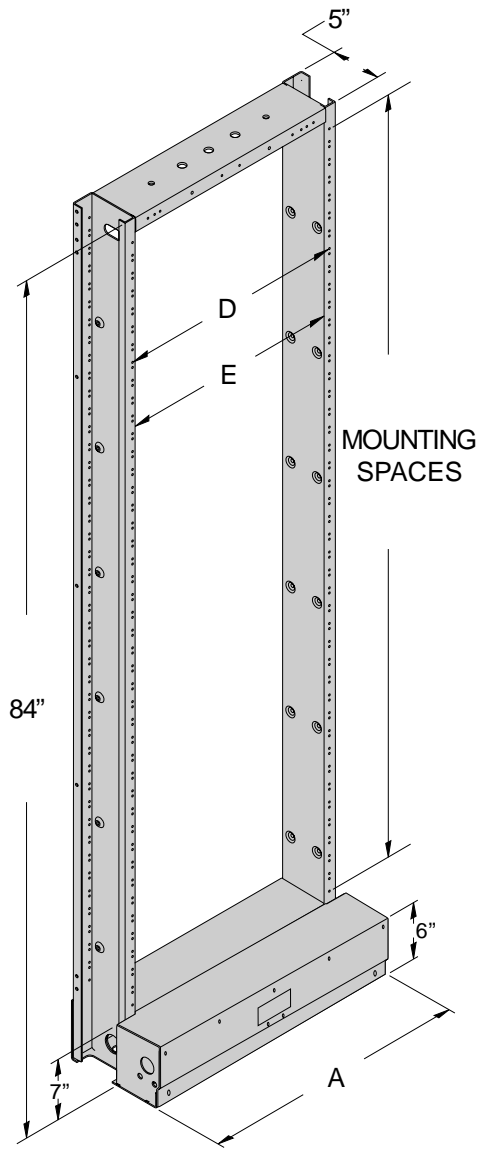
Finish

- GY = Gray
- GR = Telco Gray
- Other Colors Available

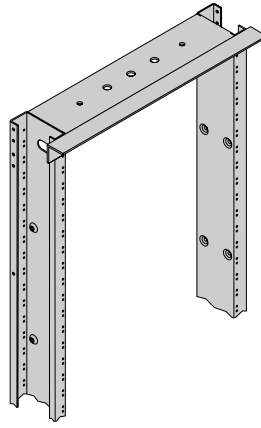
Notes

- Compliant to Telcordia GR-63 -CORE NEBS Requirements for Zone 4 Applications (84" only)

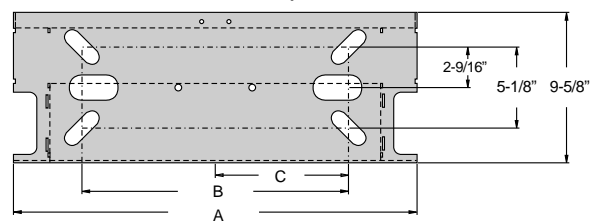
UFER



Top Angle Configuration on 8' Rack



Footprint



Unequal Flange Equipment Rack



Unequal Flange Equip. Rack (Seismic Open Duct)

Material

- 11 Gauge Sheet Metal
- 7 Gauge Sheet Metal

Finish

- GY = Gray
- GR = Telco Gray
- Other Colors Available

Notes

- Compliant to Telcordia GR-63 -CORE NEBS Requirements for Zone 4 Applications (84" only)

19" - Rack Width

1-3/4" Mounting Spaces

Part Number	H	A	B	C	D	E	Mtg. Sp.	Top Angle	Spacing	Weight(lbs.)
UF1041-84-XX	84"	21-7/8"	13-1/4"	6-5/8"	18-5/16"	17-1/2"	43	N	1-3/4"	69.0
UF1041-90-XX	90"	21-7/8"	13-1/4"	6-5/8"	18-5/16"	17-1/2"	46	Y	1-3/4"	77.0
UF1041-96-XX	96"	21-7/8"	13-1/4"	6-5/8"	18-5/16"	17-1/2"	49	Y	1-3/4"	83.0
UF1041-102-XX	102"	21-7/8"	13-1/4"	6-5/8"	18-5/16"	17-1/2"	52	Y	1-3/4"	90.0
UF1041-104-XX	104"	21-7/8"	13-1/4"	6-5/8"	18-5/16"	17-1/2"	54	Y	1-3/4"	93.0
UF1041-108-XX	108"	21-7/8"	13-1/4"	6-5/8"	18-5/16"	17-1/2"	56	Y	1-3/4"	95.0
UF1041-138-XX	138"	21-7/8"	13-1/4"	6-5/8"	18-5/16"	17-1/2"	73	Y	1-3/4"	120.0

23" - Rack Width

1-3/4" Mounting Spaces

Part Number	H	A	B	C	D	E	Mtg. Sp.	Top Angle	Spacing	Weight(lbs.)
UF1042-84-XX	84"	25-7/8"	17-1/4"	8-5/8"	22-5/16"	21-1/2"	43	N	1-3/4"	70.0
UF1042-90-XX	90"	25-7/8"	17-1/4"	8-5/8"	22-5/16"	21-1/2"	46	Y	1-3/4"	78.0
UF1042-96-XX	96"	25-7/8"	17-1/4"	8-5/8"	22-5/16"	21-1/2"	49	Y	1-3/4"	84.0
UF1042-102-XX	102"	25-7/8"	17-1/4"	8-5/8"	22-5/16"	21-1/2"	52	Y	1-3/4"	91.0
UF1042-104-XX	104"	25-7/8"	17-1/4"	8-5/8"	22-5/16"	21-1/2"	54	Y	1-3/4"	94.0
UF1042-108-XX	108"	25-7/8"	17-1/4"	8-5/8"	22-5/16"	21-1/2"	56	Y	1-3/4"	96.0
UF1042-138-XX	138"	25-7/8"	17-1/4"	8-5/8"	22-5/16"	21-1/2"	73	Y	1-3/4"	121.0

19" - Rack Width

1" Mounting Spaces

Part Number	H	A	B	C	D	E	Mtg. Sp.	Top Angle	Spacing	Weight(lbs.)
UF1043-84-XX	84"	21-7/8"	13-1/4"	6-5/8"	18-5/16"	17-1/2"	76	N	1"	69.0
UF1043-90-XX	90"	21-7/8"	13-1/4"	6-5/8"	18-5/16"	17-1/2"	82	Y	1"	77.0
UF1043-96-XX	96"	21-7/8"	13-1/4"	6-5/8"	18-5/16"	17-1/2"	86	Y	1"	83.0
UF1043-102-XX	102"	21-7/8"	13-1/4"	6-5/8"	18-5/16"	17-1/2"	90	Y	1"	90.0
UF1043-104-XX	104"	21-7/8"	13-1/4"	6-5/8"	18-5/16"	17-1/2"	94	Y	1"	93.0
UF1043-108-XX	108"	21-7/8"	13-1/4"	6-5/8"	18-5/16"	17-1/2"	98	Y	1"	95.0
UF1043-138-XX	138"	21-7/8"	13-1/4"	6-5/8"	18-5/16"	17-1/2"	128	Y	1"	120.0

23" - Rack Width

1" Mounting Spaces

Part Number	H	A	B	C	D	E	Mtg. Sp.	Top Angle	Spacing	Weight(lbs.)
UF1044-84-XX	84"	25-7/8"	17-1/4"	8-5/8"	22-5/16"	21-1/2"	76	N	1"	70.0
UF1044-90-XX	90"	25-7/8"	17-1/4"	8-5/8"	22-5/16"	21-1/2"	82	Y	1"	78.0
UF1044-96-XX	96"	25-7/8"	17-1/4"	8-5/8"	22-5/16"	21-1/2"	86	Y	1"	84.0
UF1044-102-XX	102"	25-7/8"	17-1/4"	8-5/8"	22-5/16"	21-1/2"	90	Y	1"	91.0
UF1044-104-XX	104"	25-7/8"	17-1/4"	8-5/8"	22-5/16"	21-1/2"	94	Y	1"	94.0
UF1044-108-XX	108"	25-7/8"	17-1/4"	8-5/8"	22-5/16"	21-1/2"	98	Y	1"	96.0
UF1044-138-XX	138"	25-7/8"	17-1/4"	8-5/8"	22-5/16"	21-1/2"	128	Y	1"	121.0

UFER



Unequal Flange Equipment Rack

Unequal Flange Equipment Rack Extension Kit

Material	Finish	Notes
<ul style="list-style-type: none"> • 11 Gauge Sheet Metal • 7 Gauge Sheet Metal • 2 x 2 x 1/4 Steel Angle • Grade 5 Hardware 	<ul style="list-style-type: none"> • GY = Gray • GR = Telco Gray • Other Colors Available 	<ul style="list-style-type: none"> • Additional Heights Available • Used For Both Open And Closed Duct Unequal Flange Equipment Racks



UFER

19" - Rack Width 1-3/4" Mounting Spaces

Part Number	H	A	B	W	Mounting Spaces	Spacing	Weight(lbs.)
UF1017-01-XX	12"	18-5/16"	17-1/2"	21-15/16"	4	1-3/4"	13
UF1017-02-XX	18"	18-5/16"	17-1/2"	21-15/16"	8	1-3/4"	17
UF1017-03-XX	24"	18-5/16"	17-1/2"	21-15/16"	11	1-3/4"	20
UF1017-04-XX	30"	18-5/16"	17-1/2"	21-15/16"	15	1-3/4"	26
UF1017-05-XX	42"	18-5/16"	17-1/2"	21-15/16"	30	1-3/4"	32
UF1017-08-XX	48"	18-5/16"	17-1/2"	21-15/16"	36	1-3/4"	38
UF1017-06-XX	54"	18-5/16"	17-1/2"	21-15/16"	42	1-3/4"	44
UF1017-07-XX	56"	18-5/16"	17-1/2"	21-15/16"	44	1-3/4"	50

23" - Rack Width 1-3/4" Mounting Spaces

Part Number	H	A	B	W	Mounting Spaces	Spacing	Weight(lbs.)
UF1018-01-XX	12"	22-5/16"	21-1/2"	25-15/16"	4	1-3/4"	13
UF1018-02-XX	18"	22-5/16"	21-1/2"	25-15/16"	8	1-3/4"	17
UF1018-03-XX	24"	22-5/16"	21-1/2"	25-15/16"	11	1-3/4"	20
UF1018-04-XX	30"	22-5/16"	21-1/2"	25-15/16"	15	1-3/4"	26
UF1018-05-XX	42"	22-5/16"	21-1/2"	25-15/16"	30	1-3/4"	32
UF1018-08-XX	48"	22-5/16"	21-1/2"	25-15/16"	36	1-3/4"	38
UF1018-06-XX	54"	22-5/16"	21-1/2"	25-15/16"	42	1-3/4"	44
UF1018-07-XX	56"	22-5/16"	21-1/2"	25-15/16"	44	1-3/4"	50

Unequal Flange Equipment Rack



Unequal Flange Equipment Rack Extension Kit

Material

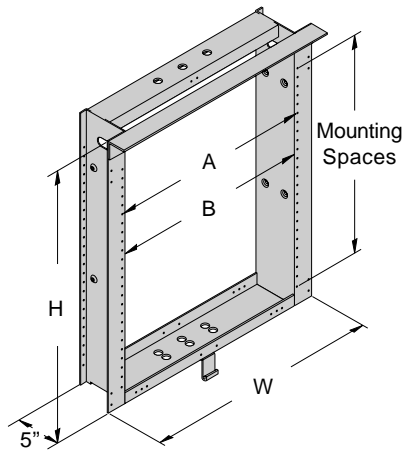
- 11 Gauge Sheet Metal
- 7 Gauge Sheet Metal
- 2 x 2 x 1/4 Steel Angle
- Grade 5 Hardware

Finish

- GY = Gray
- GR = Telco Gray
- Other Colors Available

Notes

- Additional Heights Available
- Used For Both Open And Closed Duct Unequal Flange Equipment Racks



19" - Rack Width

1" Mounting Spaces

Part Number	H	A	B	W	Mounting Spaces	Spacing	Weight(lbs.)
UF1019-01-XX	12"	18-5/16"	17-1/2"	21-15/16"	4	1"	13
UF1019-02-XX	18"	18-5/16"	17-1/2"	21-15/16"	8	1"	17
UF1019-03-XX	24"	18-5/16"	17-1/2"	21-15/16"	11	1"	20
UF1019-04-XX	30"	18-5/16"	17-1/2"	21-15/16"	15	1"	26
UF1019-05-XX	42"	18-5/16"	17-1/2"	21-15/16"	30	1"	32
UF1019-08-XX	48"	18-5/16"	17-1/2"	21-15/16"	36	1"	38
UF1019-06-XX	54"	18-5/16"	17-1/2"	21-15/16"	42	1"	44
UF1019-07-XX	56"	18-5/16"	17-1/2"	21-15/16"	44	1"	50

23" - Rack Width

1" Mounting Spaces

Part Number	H	A	B	W	Mounting Spaces	Spacing	Weight(lbs.)
UF1020-01-XX	12"	22-5/16"	21-1/2"	25-15/16"	4	1"	13
UF1020-02-XX	18"	22-5/16"	21-1/2"	25-15/16"	8	1"	17
UF1020-03-XX	24"	22-5/16"	21-1/2"	25-15/16"	11	1"	20
UF1020-04-XX	30"	22-5/16"	21-1/2"	25-15/16"	15	1"	26
UF1020-05-XX	42"	22-5/16"	21-1/2"	25-15/16"	30	1"	32
UF1020-08-XX	48"	22-5/16"	21-1/2"	25-15/16"	36	1"	38
UF1020-06-XX	54"	22-5/16"	21-1/2"	25-15/16"	42	1"	44
UF1020-07-XX	56"	22-5/16"	21-1/2"	25-15/16"	44	1"	50

UFER

Rear Guard Rail

Material

- 13 Gauge Sheet Metal
- Mounting Hardware

Finish

- GY = Gray
- GR = Telco Gray
- Other Colors Available

Notes

Contains

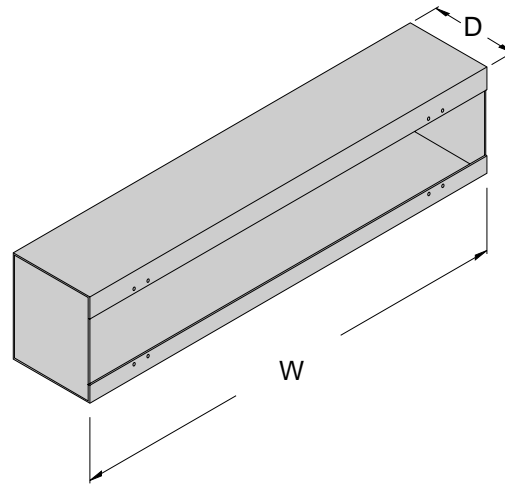
- (1) Guard Rail
- (4) 8-32 X 1/4" Pan Head Machine Screw
- Additional Depths Available Upon Request.

19" - Rack Width

Part Number	D	W	Weight(lbs.)
UF1011-01-XX	1"	21-15/16"	7.0
UF1011-02-XX	2"	21-15/16"	9.0
UF1011-04-XX	4"	21-15/16"	14.0
UF1011-05-XX	5"	21-15/16"	18.0
UF1011-08-XX	8"	21-15/16"	23.0

23" - Rack Width

Part Number	D	W	Weight(lbs.)
UF1012-01-XX	1"	25-15/16"	7.0
UF1012-02-XX	2"	25-15/16"	9.0
UF1012-04-XX	4"	25-15/16"	14.0
UF1012-05-XX	5"	25-15/16"	18.0
UF1012-08-XX	8"	25-15/16"	23.0



UFERR

Rear Guard Rail With Cut Out

Material

- 13 Gauge Sheet Metal
- Mounting Hardware

Finish

- GY = Gray
- GR = Telco Gray
- Other Colors Available

Notes

Contains

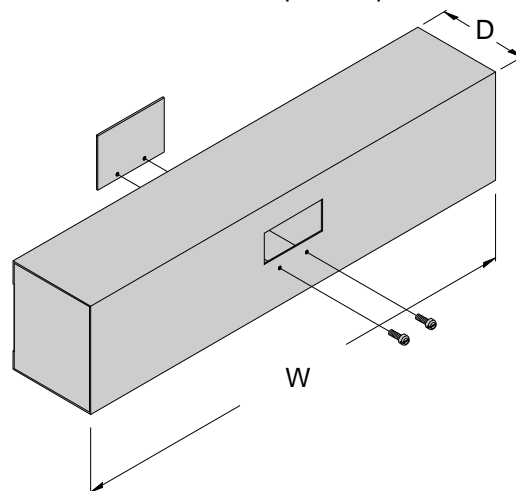
- (1) Guard Rail, Outlet Cover
- (6) 8-32 X 1/4" Pan Head Machine Screw
- Additional Depths Available Upon Request.

19" - Rack Width

Part Number	D	W	Weight(lbs.)
UF1013-01-XX	1"	21-15/16"	7.0
UF1013-02-XX	2"	21-15/16"	9.0
UF1013-04-XX	4"	21-15/16"	14.0
UF1013-05-XX	5"	21-15/16"	18.0
UF1013-08-XX	8"	21-15/16"	23.0

23" - Rack Width

Part Number	D	W	Weight(lbs.)
UF1014-01-XX	1"	25-15/16"	7.0
UF1014-02-XX	2"	25-15/16"	9.0
UF1014-04-XX	4"	25-15/16"	14.0
UF1014-05-XX	5"	25-15/16"	18.0
UF1014-08-XX	8"	25-15/16"	23.0



Outlet Bracket Kit

Material

- 13 Gauge Cold Rolled

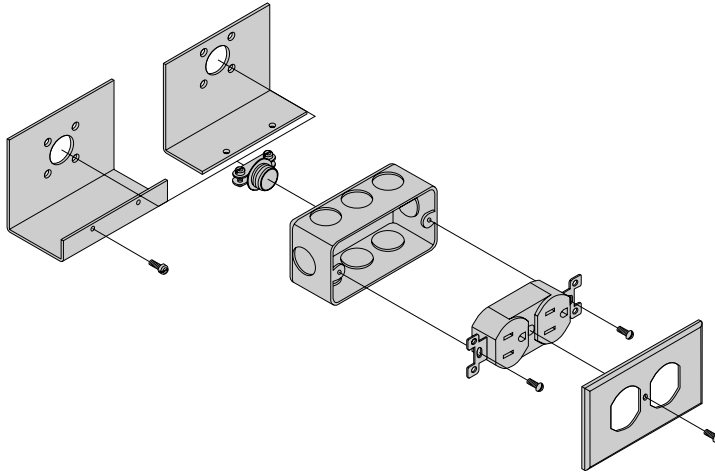
Finish

- GY = Gray
- ZY = Zinc and Yellow

Notes

Contains

- (1) Utility Box, Wall Plate, Duplex Receptacle, Clamp Connector
- (2) Outlet Bracket, 8-32 X 1/4" Pan Head Machine Screw
- (4) 10-32 X 1/2" Round Head Screw, 10-32 Hex Nut



Part Number	Weight(lbs.)
UF1005-01-XX	1

UFER

Junction Kit For Unequal Flange Rack

Material

- 11 Gauge Steel
- Grade 5 Hardware

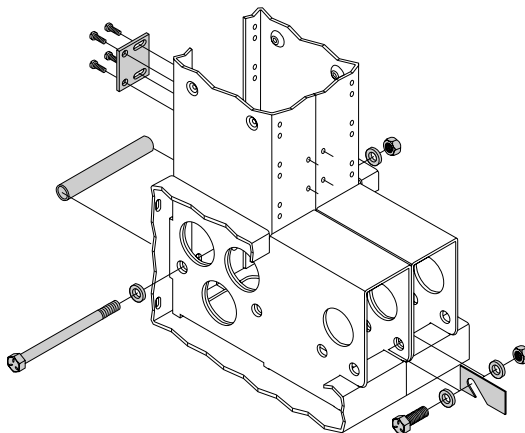
Finish

- GR = Telco Grey
- BL = Blue
- GY = Gray
- ZY = Zinc and Yellow

Notes

Contains

- (1) Spacer Tube, Spacer Tube Plate, 3/8"-16 X 5-1/2" Hex Head Cap Screw, 3/8"-16 X 7/8" Hex Head Cap Screw
- (2) 3/8" Hex Nut
- (4) Junction Plate 3/8" Flat Washer
- (16) 12-24 X 1/4" Phillips Pan Head Mounting Screw



Part Number	Weight(lbs.)
UF1006-01-XX	1

Insulator Pad Kit

Material

- Rated U.L. 94 V-1 With An Oxygen Rating Greater Than 29

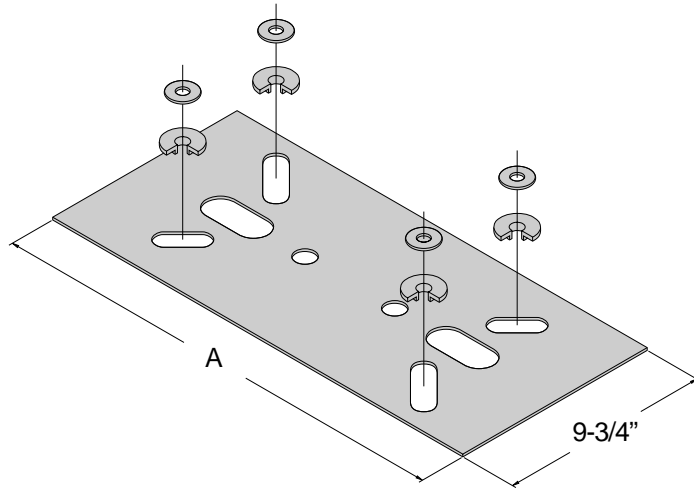
Finish

- Gray

Notes

Contains

- (1) Insulator Pad
- (4) 1/2" Bushing, 1/2" Flat Washer



Part Number	A	Weight(lbs.)
UF1007-01	20-1/4"	2
UF1007-02	24-1/4"	2.5

Shim Kit

Material

- PVC Type 1

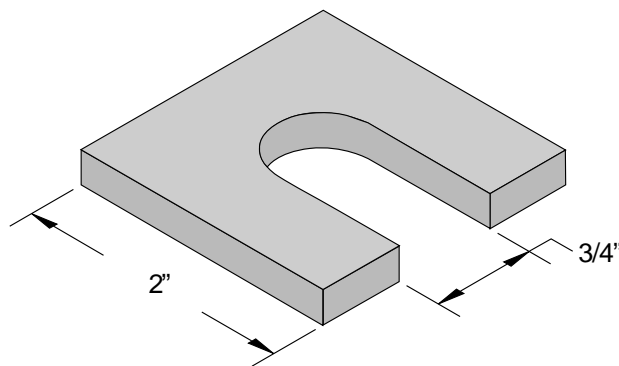
Finish

- Gray

Notes

Contains

- (12) 1/4" Shim
- (4) 1/32", 1/16", 1/8" Shim



Part Number	Weight(lbs.)
UF1025-01	0.1

Unequal Flange Equipment Rack



Floor Mounting Kit With Expansion Shield

Material

- 1/4" Steel Plate
- Hardware - Grade 5

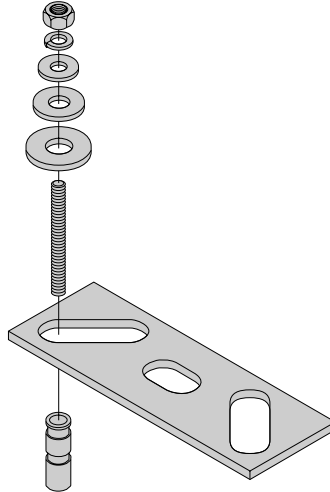
Finish

- Zinc and Yellow

Notes

Contains

- (2) Floor Mounting Plate
- (4) 3/8" X 1-1/2" Machine Screw Expansion Shield, 3/8"-16 X 3-1/4" Stud, 3/8" Lock Washer, 3/8" Flat Washer, 1/2" Flat Washer, 5/8" Flat Washer, 3/8" Hex Nut



Part Number	Weight(lbs.)
UF1026-01-ZY	4.3

UFER

Floor Mounting Kit With Self Drilling Anchor

Material

- 1/4" Steel Plate
- Hardware - Grade 5

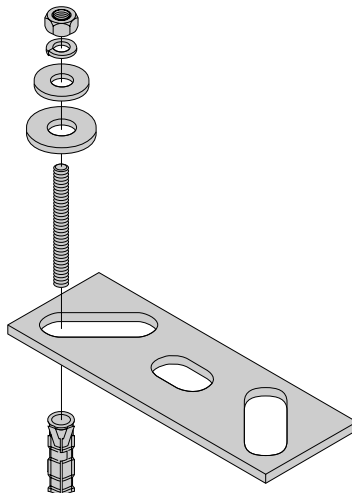
Finish

- Zinc and Yellow

Notes

Contains

- (2) Floor Mounting Plate,
- (4) 1/2" Self Drilling Anchor, 1/2"-13 X 3-1/4" Stud, 1/2" Lock Washer, 1/2" Flat Washer, 5/8" Flat Washer, 1/2" Hex Nut



Part Number	Weight(lbs.)
UF1026-02-ZY	4.1



Unequal Flange Equipment Rack

Floor Mounting Kit With Expansion Shield (Seismic)

Material

- 1/8" Steel Bar

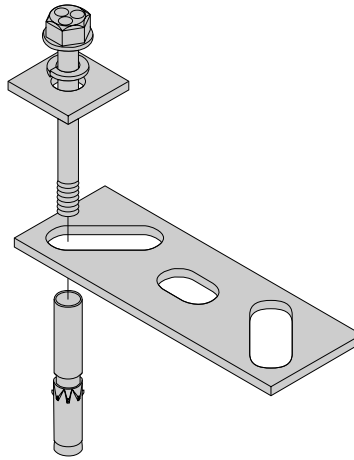
Finish

- Zinc and Yellow

Notes

Contains

- (2) Floor Mounting Plate
- (4) 2" X 2" Seismic Washer, 12MM X 25MM X 120MM Seismic Expansion Anchor



Part Number	Weight(lbs.)
UF1026-09-ZY	4.3

UFER

Tie Bar Kit

Material

- 1/8" Steel Bar

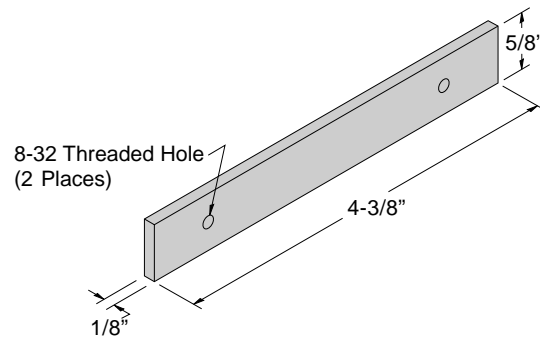
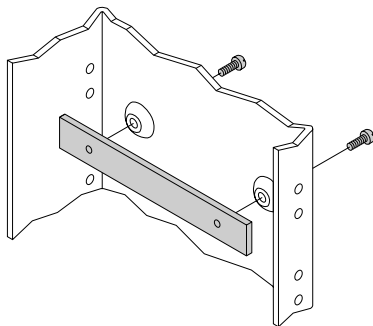
Finish

- GR = Telco Grey
- ZY = Zinc and Yellow

Notes

Contains

- (12) Tie Bar
- (24) 8-32 X 1/4" Pan Head Machine Screw



Part Number	Rack Height	Tie Bars	Weight(lbs.)
UF1027-01-XX	7' or 7'-6"	12	1.0
UF1027-02-XX	8'	14	1.3
UF1027-03-XX	9'	16	1.1
UF1027-04-XX	11'-6" or 11'-8"	20	1.3

Unequal Flange Equipment Rack



Ground Bar

Material

- 1/4" Copper Bar

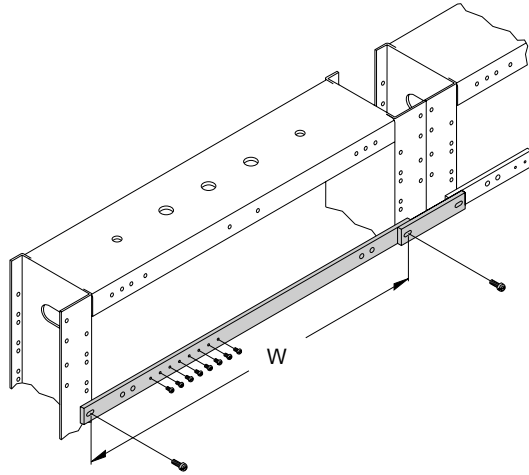
Finish

- Copper

Notes

Contains

- (1) Ground Bar
- (1) Splice Plate
- (2) 12-24 X 3/4" Phillips Pan Head Screws, Flat Washer
- (8) 6-32 X 1/4" Round Head Screws



Part Number	W	Weight(lbs.)
UF1028-01	18-5/16"	2.1
UF1028-02	22-5/16"	2.5

Spacer Kit

Material

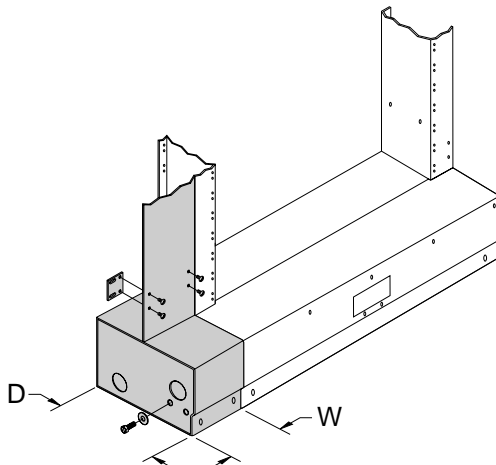
- 11 Gauge Sheet Metal and Mounting Hardware

Finish

- GR = Telco Gray
- BL = Blue
- GY = Gray
- Other Colors Available

Notes

- (1) Spacer, Spacer Box, Spacer Box Cover
- (2) 3/8"-16 X 1" Hex Head Cap Screw, 3/8" Lock Washer, 3/8" Hex Nut
- (4) 3/8" Flat Washer
- (6) Junction Plate, 12-24 x 1/2" Phillips Pan Head Mounting Screw
- (26) 12-24 X 1/4" Phillips Pan Head Mounting Screw
- Additional Heights And Widths Available Upon Request.



Part Number	W	D	Height	Weight
UF1036-84-XX	2-1/2"	10"	84"	15.3
UF1008-84-XX	5"	10"	84"	16.2
UF1066-03-XX	10"	15"	84"	18.2

UFER

Guard Rail Bumper

Material

- 7 Gauge Steel
- Mounting Hardware

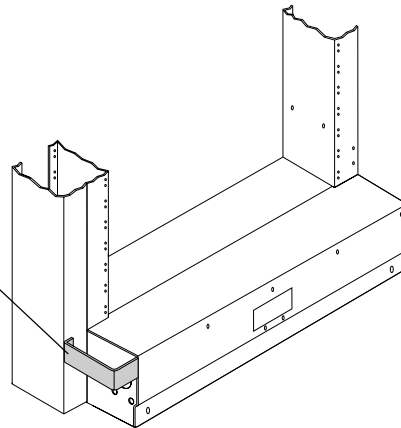
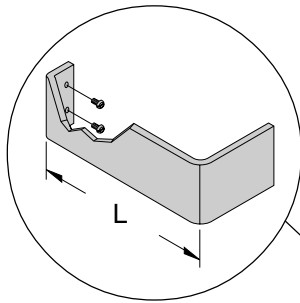
Finish

- GR = Telco Gray
- GY = Gray
- Other Colors Available

Notes

Contains

- (1) Guard Rail
- (2) 12-24 X 1/2" Phillips Pan Head Mounting Screw, 1/2" Lock Washer
- Additional Lengths Available Upon Request.



Part Number	L	Weight(lbs.)
UF1039-02-XX	2"	0.2
UF1039-05-XX	5"	0.3

UFER

Endcover Kit

Material

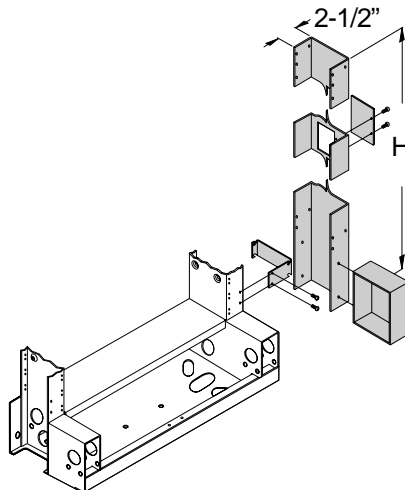
- 11 Gauge Steel
- 18 Gauge Sheet Metal
- Mounting Hardware

Finish

- GR = Telco Gray
- BL = Blue
- GY = Gray
- Other Colors Available

Notes

- (1) End Cover, Guard Rail, Outlet Cover
- (2) End Cover Bracket, 12-24 X 1/2" Phillips Pan Head Mounting Screw, 8-32 X 1/4" Pan Head Machine Screw
- (12) 12-24 X 1/4" Phillips Pan Head Mounting Screw



Part Number	H	Weight(lbs.)
UF1016-84-XX	84"	26
UF1016-90-XX	90"	29
UF1016-96-XX	96"	31
UF1016-102-XX	102"	31
UF1016-104-XX	104"	26
UF1016-108-XX	108"	29
UF1016-138-XX	138"	31
UF1016-140-XX	140"	31