

Section Four

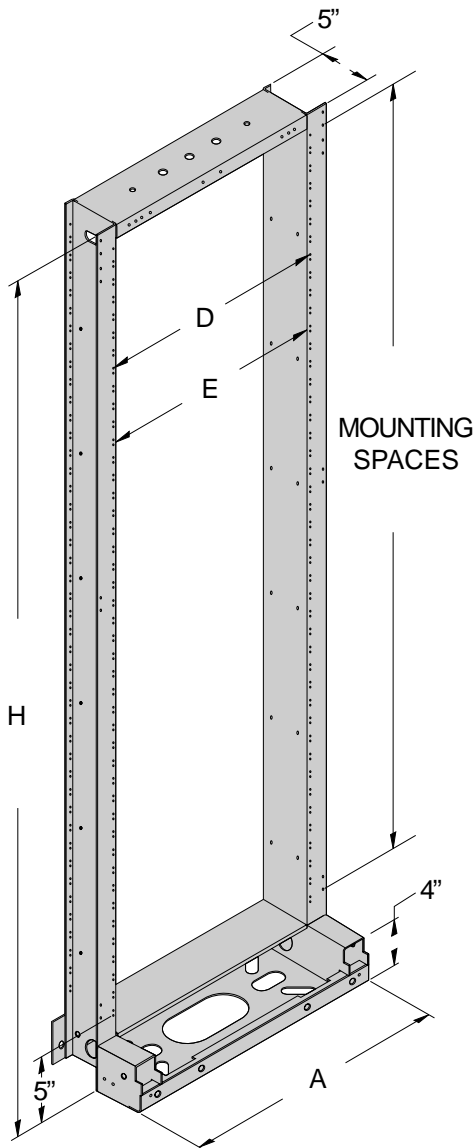
Network Bay

Contents

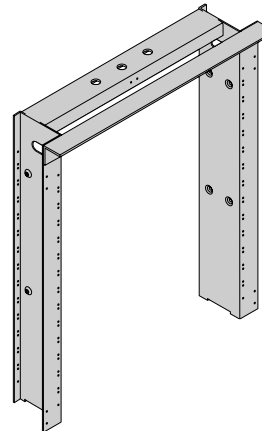
Network Bay (Closed Duct)	90-91
Network Bay (Open Duct)	92-93
Network Bay (Seismic Closed Duct)	94-95
Network Bay (Seismic Open Duct)	96-97
Front Guard Rail Kit	98
Rear Guard Rail Kit	98
Floor Mounting Kit	99
Insulator Pad Kit	99
End Shield Kit	100
Raceway Kits	100
Endcover Kit with Duct Fillers	101
Spacer Kit	101
Bumper Guard	102
Guard Rail Extender	102

Network Bay (Closed Duct)

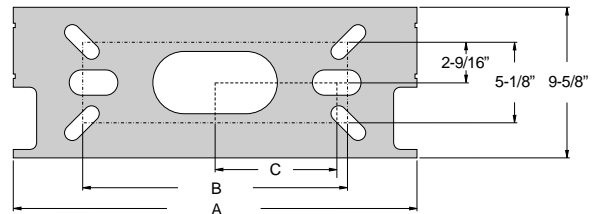
Material	Finish	Notes
<ul style="list-style-type: none"> • 11 Gauge Sheet Metal • 7 Gauge Sheet Metal • 2" x 2" x 1/4" Steel Angle 	<ul style="list-style-type: none"> • GR = Telco Gray • BL = Blue • GY = Gray • Other Colors Available 	<ul style="list-style-type: none"> • Additional Heights Available



Top Angle Configuration on 8' and 9' Rack



Footprint



Network Bay (Closed Duct)

Material

- 11 Gauge Sheet Metal
- 7 Gauge Sheet Metal
- 2" x 2" x 1/4" Steel Angle

Finish

- GR = Telco Gray
- BL = Blue
- GY = Gray
- Other Colors Available

Notes

- Additional Heights Available

19" - Rack Width

1-3/4" Mounting Spaces

Part Number	H	A	B	C	D	E	Mtg. Sp.	Top Angle	Spacing	Weight(lbs.)
NB1001-84-XX	84"	21-7/8"	12-7/16"	5-13/16"	18-5/16"	17-1/2"	44	N	1-3/4"	69.0
NB1001-90-XX	90"	21-7/8"	12-7/16"	5-13/16"	18-5/16"	17-1/2"	46	Y	1-3/4"	77.0
NB1001-96-XX	96"	21-7/8"	12-7/16"	5-13/16"	18-5/16"	17-1/2"	49	Y	1-3/4"	83.0
NB1001-102-XX	102"	21-7/8"	12-7/16"	5-13/16"	18-5/16"	17-1/2"	52	Y	1-3/4"	90.0
NB1001-104-XX	104"	21-7/8"	12-7/16"	5-13/16"	18-5/16"	17-1/2"	54	Y	1-3/4"	93.0
NB1001-108-XX	108"	21-7/8"	12-7/16"	5-13/16"	18-5/16"	17-1/2"	56	Y	1-3/4"	95.0
NB1001-138-XX	138"	21-7/8"	12-7/16"	5-13/16"	18-5/16"	17-1/2"	73	Y	1-3/4"	120.0

23" - Rack Width

1-3/4" Mounting Spaces

Part Number	H	A	B	C	D	E	Mtg. Sp.	Top Angle	Spacing	Weight(lbs.)
NB1002-84-XX	84"	25-7/8"	17-1/4"	8-5/8"	22-5/16"	21-1/2"	43	N	1-3/4"	70.0
NB1002-90-XX	90"	25-7/8"	17-1/4"	8-5/8"	22-5/16"	21-1/2"	46	Y	1-3/4"	78.0
NB1002-96-XX	96"	25-7/8"	17-1/4"	8-5/8"	22-5/16"	21-1/2"	49	Y	1-3/4"	84.0
NB1002-102-XX	102"	25-7/8"	17-1/4"	8-5/8"	22-5/16"	21-1/2"	52	Y	1-3/4"	91.0
NB1002-104-XX	104"	25-7/8"	17-1/4"	8-5/8"	22-5/16"	21-1/2"	54	Y	1-3/4"	94.0
NB1002-108-XX	108"	25-7/8"	17-1/4"	8-5/8"	22-5/16"	21-1/2"	56	Y	1-3/4"	96.0
NB1002-138-XX	138"	25-7/8"	17-1/4"	8-5/8"	22-5/16"	21-1/2"	73	Y	1-3/4"	121.0

19" - Rack Width

1" Mounting Spaces

Part Number	H	A	B	C	D	E	Mtg. Sp.	Top Angle	Spacing	Weight(lbs.)
NB1003-84-XX	84"	21-7/8"	12-7/16"	5-13/16"	18-5/16"	17-1/2"	76	N	1"	69.0
NB1003-90-XX	90"	21-7/8"	12-7/16"	5-13/16"	18-5/16"	17-1/2"	82	Y	1"	77.0
NB1003-96-XX	96"	21-7/8"	12-7/16"	5-13/16"	18-5/16"	17-1/2"	86	Y	1"	83.0
NB1003-102-XX	102"	21-7/8"	12-7/16"	5-13/16"	18-5/16"	17-1/2"	90	Y	1"	90.0
NB1003-104-XX	104"	21-7/8"	12-7/16"	5-13/16"	18-5/16"	17-1/2"	94	Y	1"	93.0
NB1003-108-XX	108"	21-7/8"	12-7/16"	5-13/16"	18-5/16"	17-1/2"	98	Y	1"	95.0
NB1003-138-XX	138"	21-7/8"	12-7/16"	5-13/16"	18-5/16"	17-1/2"	128	Y	1"	120.0

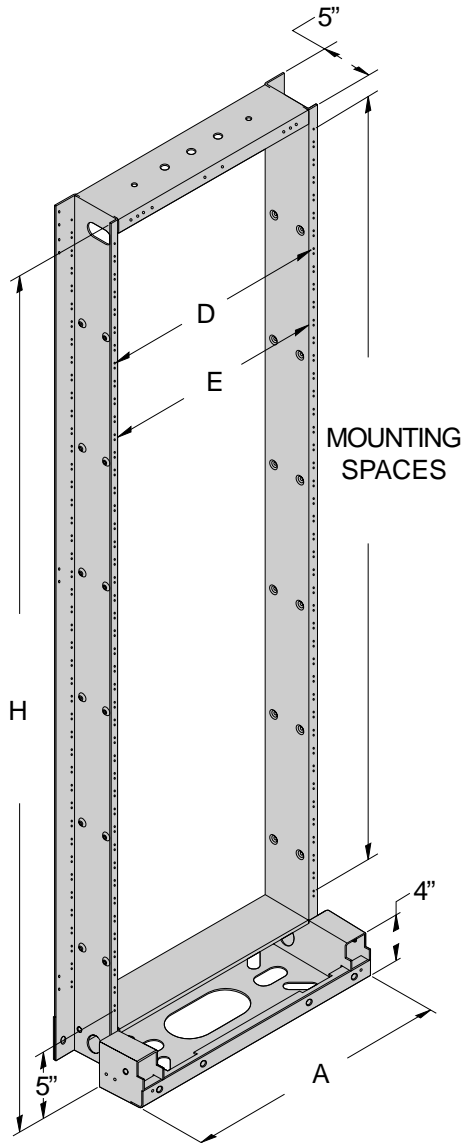
23" - Rack Width

1" Mounting Spaces

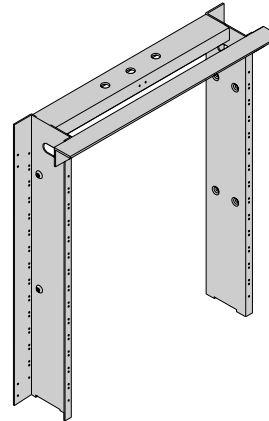
Part Number	H	A	B	C	D	E	Mtg. Sp.	Top Angle	Spacing	Weight(lbs.)
NB1004-84-XX	84"	25-7/8"	17-1/4"	8-5/8"	22-5/16"	21-1/2"	76	N	1"	70.0
NB1004-90-XX	90"	25-7/8"	17-1/4"	8-5/8"	22-5/16"	21-1/2"	82	Y	1"	78.0
NB1004-96-XX	96"	25-7/8"	17-1/4"	8-5/8"	22-5/16"	21-1/2"	86	Y	1"	84.0
NB1004-102-XX	102"	25-7/8"	17-1/4"	8-5/8"	22-5/16"	21-1/2"	90	Y	1"	91.0
NB1004-104-XX	104"	25-7/8"	17-1/4"	8-5/8"	22-5/16"	21-1/2"	94	Y	1"	94.0
NB1004-108-XX	108"	25-7/8"	17-1/4"	8-5/8"	22-5/16"	21-1/2"	98	Y	1"	96.0
NB1004-138-XX	138"	25-7/8"	17-1/4"	8-5/8"	22-5/16"	21-1/2"	128	Y	1"	121.0

Network Bay (Open Duct)

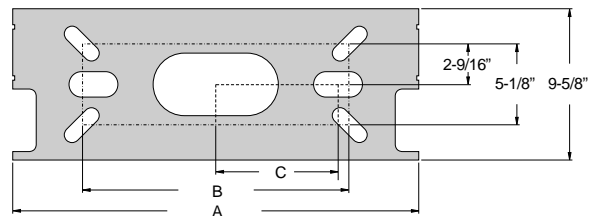
Material	Finish	Notes
<ul style="list-style-type: none"> • 11 Gauge Sheet Metal • 7 Gauge Sheet Metal • 2" x 2" x 1/4" Steel Angle 	<ul style="list-style-type: none"> • GR = Telco Gray • BL = Blue • GY = Gray • Other Colors Available 	<ul style="list-style-type: none"> • Additional Heights Available



Top Angle Configuration on 8' and 9' Rack



Footprint



Network Bay (Open Duct)

Material

- 11 Gauge Sheet Metal
- 7 Gauge Sheet Metal
- 2" x 2" x 1/4" Steel Angle

Finish

- GR = Telco Gray
- BL = Blue
- GY = Gray
- Other Colors Available

Notes

- Additional Heights Available

19" - Rack Width

1-3/4" Mounting Spaces

Part Number	H	A	B	C	D	E	Mtg. Sp.	Top Angle	Spacing	Weight(lbs.)
NB1021-84-XX	84"	21-7/8"	12-7/16"	5-13/16"	18-5/16"	17-1/2"	44	N	1-3/4"	69.0
NB1021-90-XX	90"	21-7/8"	12-7/16"	5-13/16"	18-5/16"	17-1/2"	46	Y	1-3/4"	77.0
NB1021-96-XX	96"	21-7/8"	12-7/16"	5-13/16"	18-5/16"	17-1/2"	49	Y	1-3/4"	83.0
NB1021-102-XX	102"	21-7/8"	12-7/16"	5-13/16"	18-5/16"	17-1/2"	52	Y	1-3/4"	90.0
NB1021-104-XX	104"	21-7/8"	12-7/16"	5-13/16"	18-5/16"	17-1/2"	54	Y	1-3/4"	93.0
NB1021-108-XX	108"	21-7/8"	12-7/16"	5-13/16"	18-5/16"	17-1/2"	56	Y	1-3/4"	95.0
NB1021-138-XX	138"	21-7/8"	12-7/16"	5-13/16"	18-5/16"	17-1/2"	73	Y	1-3/4"	120.0

23" - Rack Width

1-3/4" Mounting Spaces

Part Number	H	A	B	C	D	E	Mtg. Sp.	Top Angle	Spacing	Weight(lbs.)
NB1022-84-XX	84"	25-7/8"	17-1/4"	8-5/8"	22-5/16"	21-1/2"	43	N	1-3/4"	70.0
NB1022-90-XX	90"	25-7/8"	17-1/4"	8-5/8"	22-5/16"	21-1/2"	46	Y	1-3/4"	78.0
NB1022-96-XX	96"	25-7/8"	17-1/4"	8-5/8"	22-5/16"	21-1/2"	49	Y	1-3/4"	84.0
NB1022-102-XX	102"	25-7/8"	17-1/4"	8-5/8"	22-5/16"	21-1/2"	52	Y	1-3/4"	91.0
NB1022-104-XX	104"	25-7/8"	17-1/4"	8-5/8"	22-5/16"	21-1/2"	54	Y	1-3/4"	94.0
NB1022-108-XX	108"	25-7/8"	17-1/4"	8-5/8"	22-5/16"	21-1/2"	56	Y	1-3/4"	96.0
NB1022-138-XX	138"	25-7/8"	17-1/4"	8-5/8"	22-5/16"	21-1/2"	73	Y	1-3/4"	121.0

19" - Rack Width

1" Mounting Spaces

Part Number	H	A	B	C	D	E	Mtg. Sp.	Top Angle	Spacing	Weight(lbs.)
NB1023-84-XX	84"	21-7/8"	12-7/16"	5-13/16"	18-5/16"	17-1/2"	76	N	1"	69.0
NB1023-90-XX	90"	21-7/8"	12-7/16"	5-13/16"	18-5/16"	17-1/2"	82	Y	1"	77.0
NB1023-96-XX	96"	21-7/8"	12-7/16"	5-13/16"	18-5/16"	17-1/2"	86	Y	1"	83.0
NB1023-102-XX	102"	21-7/8"	12-7/16"	5-13/16"	18-5/16"	17-1/2"	90	Y	1"	90.0
NB1023-104-XX	104"	21-7/8"	12-7/16"	5-13/16"	18-5/16"	17-1/2"	94	Y	1"	93.0
NB1023-108-XX	108"	21-7/8"	12-7/16"	5-13/16"	18-5/16"	17-1/2"	98	Y	1"	95.0
NB1023-138-XX	138"	21-7/8"	12-7/16"	5-13/16"	18-5/16"	17-1/2"	128	Y	1"	120.0

23" - Rack Width

1" Mounting Spaces

Part Number	H	A	B	C	D	E	Mtg. Sp.	Top Angle	Spacing	Weight(lbs.)
NB1024-84-XX	84"	25-7/8"	17-1/4"	8-5/8"	22-5/16"	21-1/2"	76	N	1"	70.0
NB1024-90-XX	90"	25-7/8"	17-1/4"	8-5/8"	22-5/16"	21-1/2"	82	Y	1"	78.0
NB1024-96-XX	96"	25-7/8"	17-1/4"	8-5/8"	22-5/16"	21-1/2"	86	Y	1"	84.0
NB1024-102-XX	102"	25-7/8"	17-1/4"	8-5/8"	22-5/16"	21-1/2"	90	Y	1"	91.0
NB1024-104-XX	104"	25-7/8"	17-1/4"	8-5/8"	22-5/16"	21-1/2"	94	Y	1"	94.0
NB1024-108-XX	108"	25-7/8"	17-1/4"	8-5/8"	22-5/16"	21-1/2"	98	Y	1"	96.0
NB1024-138-XX	138"	25-7/8"	17-1/4"	8-5/8"	22-5/16"	21-1/2"	128	Y	1"	121.0

Network Bay (Seismic Closed Duct)

Material

- 11 Gauge Sheet Metal
- 7 Gauge Sheet Metal

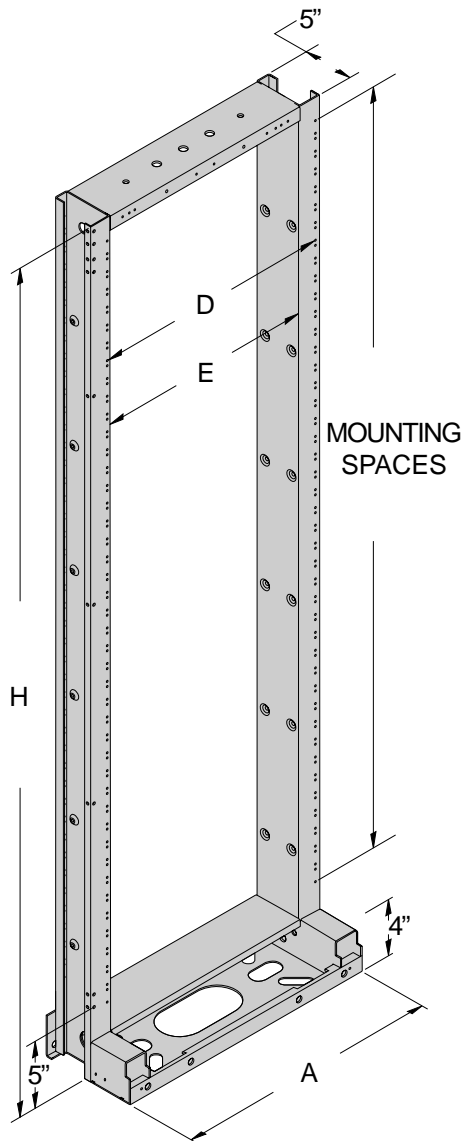
Finish

- GR = Telco Gray
- BL = Blue
- GY = Gray
- Other Colors Available

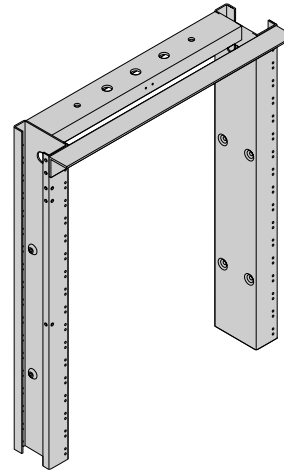
Notes

- Compliant to Telcordia GR-63 -CORE NEBS Requirements for Zone 4 Applications (84" only)

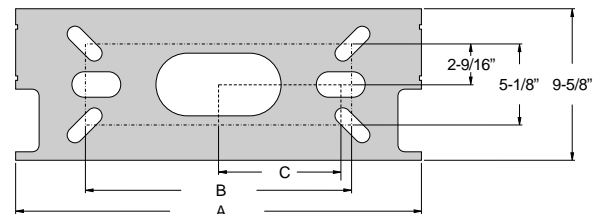
Network Bay



Top Angle Configuration on 8' and 9' Rack



Footprint



Network Bay (Seismic Closed Duct)

Material

- 11 Gauge Sheet Metal
- 7 Gauge Sheet Metal

Finish

- GR = Telco Gray
- BL = Blue
- GY = Gray
- Other Colors Available

Notes

- Compliant to Telcordia GR-63 -CORE NEBS Requirements for Zone 4 Applications (84" only)

19" - Rack Width

1-3/4" Mounting Spaces

Part Number	H	A	B	C	D	E	Mtg. Sp.	Top Angle	Spacing	Weight(lbs.)
NB1061-84-XX	84"	21-7/8"	12-7/16"	5-13/16"	18-5/16"	17-1/2"	44	N	1-3/4"	69.0
NB1061-90-XX	90"	21-7/8"	12-7/16"	5-13/16"	18-5/16"	17-1/2"	46	Y	1-3/4"	77.0
NB1061-96-XX	96"	21-7/8"	12-7/16"	5-13/16"	18-5/16"	17-1/2"	49	Y	1-3/4"	83.0
NB1061-102-XX	102"	21-7/8"	12-7/16"	5-13/16"	18-5/16"	17-1/2"	52	Y	1-3/4"	90.0
NB1061-104-XX	104"	21-7/8"	12-7/16"	5-13/16"	18-5/16"	17-1/2"	54	Y	1-3/4"	93.0
NB1061-108-XX	108"	21-7/8"	12-7/16"	5-13/16"	18-5/16"	17-1/2"	56	Y	1-3/4"	95.0
NB1061-138-XX	138"	21-7/8"	12-7/16"	5-13/16"	18-5/16"	17-1/2"	73	Y	1-3/4"	120.0

23" - Rack Width

1-3/4" Mounting Spaces

Part Number	H	A	B	C	D	E	Mtg. Sp.	Top Angle	Spacing	Weight(lbs.)
NB1062-84-XX	84"	25-7/8"	17-1/4"	8-5/8"	22-5/16"	21-1/2"	43	N	1-3/4"	70.0
NB1062-90-XX	90"	25-7/8"	17-1/4"	8-5/8"	22-5/16"	21-1/2"	46	Y	1-3/4"	78.0
NB1062-96-XX	96"	25-7/8"	17-1/4"	8-5/8"	22-5/16"	21-1/2"	49	Y	1-3/4"	84.0
NB1062-102-XX	102"	25-7/8"	17-1/4"	8-5/8"	22-5/16"	21-1/2"	52	Y	1-3/4"	91.0
NB1062-104-XX	104"	25-7/8"	17-1/4"	8-5/8"	22-5/16"	21-1/2"	54	Y	1-3/4"	94.0
NB1062-108-XX	108"	25-7/8"	17-1/4"	8-5/8"	22-5/16"	21-1/2"	56	Y	1-3/4"	96.0
NB1062-138-XX	138"	25-7/8"	17-1/4"	8-5/8"	22-5/16"	21-1/2"	73	Y	1-3/4"	121.0

19" - Rack Width

1" Mounting Spaces

Part Number	H	A	B	C	D	E	Mtg. Sp.	Top Angle	Spacing	Weight(lbs.)
NB1063-84-XX	84"	21-7/8"	12-7/16"	5-13/16"	18-5/16"	17-1/2"	76	N	1"	69.0
NB1063-90-XX	90"	21-7/8"	12-7/16"	5-13/16"	18-5/16"	17-1/2"	82	Y	1"	77.0
NB1063-96-XX	96"	21-7/8"	12-7/16"	5-13/16"	18-5/16"	17-1/2"	86	Y	1"	83.0
NB1063-102-XX	102"	21-7/8"	12-7/16"	5-13/16"	18-5/16"	17-1/2"	90	Y	1"	90.0
NB1063-104-XX	104"	21-7/8"	12-7/16"	5-13/16"	18-5/16"	17-1/2"	94	Y	1"	93.0
NB1063-108-XX	108"	21-7/8"	12-7/16"	5-13/16"	18-5/16"	17-1/2"	98	Y	1"	95.0
NB1063-138-XX	138"	21-7/8"	12-7/16"	5-13/16"	18-5/16"	17-1/2"	128	Y	1"	120.0

23" - Rack Width

1" Mounting Spaces

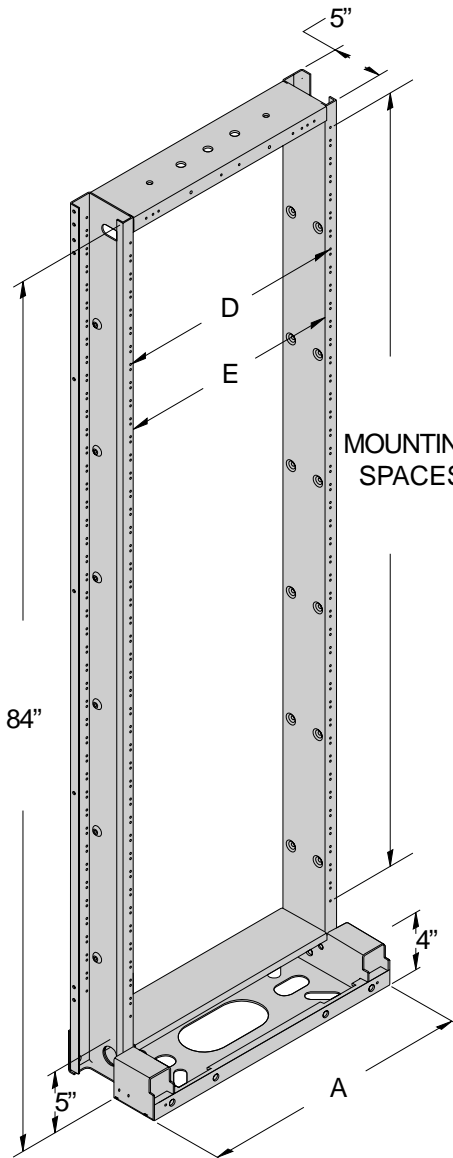
Part Number	H	A	B	C	D	E	Mtg. Sp.	Top Angle	Spacing	Weight(lbs.)
NB1064-84-XX	84"	25-7/8"	17-1/4"	8-5/8"	22-5/16"	21-1/2"	76	N	1"	70.0
NB1064-90-XX	90"	25-7/8"	17-1/4"	8-5/8"	22-5/16"	21-1/2"	82	Y	1"	78.0
NB1064-96-XX	96"	25-7/8"	17-1/4"	8-5/8"	22-5/16"	21-1/2"	86	Y	1"	84.0
NB1064-102-XX	102"	25-7/8"	17-1/4"	8-5/8"	22-5/16"	21-1/2"	90	Y	1"	91.0
NB1064-104-XX	104"	25-7/8"	17-1/4"	8-5/8"	22-5/16"	21-1/2"	94	Y	1"	94.0
NB1064-108-XX	108"	25-7/8"	17-1/4"	8-5/8"	22-5/16"	21-1/2"	98	Y	1"	96.0
NB1064-138-XX	138"	25-7/8"	17-1/4"	8-5/8"	22-5/16"	21-1/2"	128	Y	1"	121.0

Network Bay

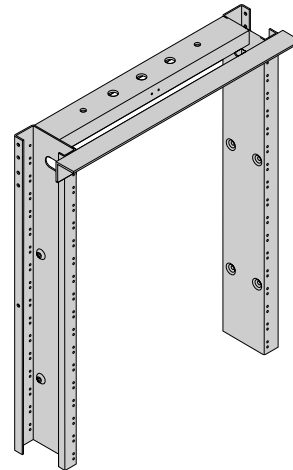
Network Bay (Seismic Open Duct)

Material	Finish	Notes
<ul style="list-style-type: none"> • 11 Gauge Sheet Metal • 7 Gauge Sheet Metal 	<ul style="list-style-type: none"> • GR = Telco Gray • BL = Blue • GY = Gray • Other Colors Available 	<ul style="list-style-type: none"> • Compliant to Telcordia GR-63 -CORE NEBS Requirements for Zone 4 Applications (84" only)

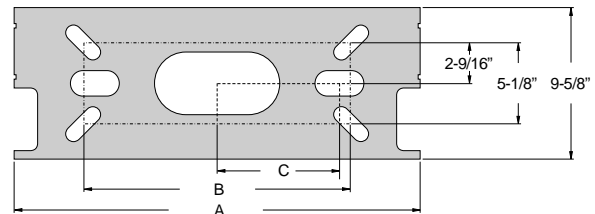
Network Bay



Top Angle Configuration on 8' and 9' Rack



Footprint



Network Bay (Seismic Open Duct)

Material

- 11 Gauge Sheet Metal
- 7 Gauge Sheet Metal

Finish

- GR = Telco Gray
- BL = Blue
- GY = Gray
- Other Colors Available

Notes

- Compliant to Telcordia GR-63 -CORE NEBS Requirements for Zone 4 Applications (84" only)

19" - Rack Width

1-3/4" Mounting Spaces

Part Number	H	A	B	C	D	E	Mtg. Sp.	Top Angle	Spacing	Weight(lbs.)
NB1071-84-XX	84"	21-7/8"	12-7/16"	5-13/16"	18-5/16"	17-1/2"	44	N	1-3/4"	69.0
NB1071-90-XX	90"	21-7/8"	12-7/16"	5-13/16"	18-5/16"	17-1/2"	46	Y	1-3/4"	77.0
NB1071-96-XX	96"	21-7/8"	12-7/16"	5-13/16"	18-5/16"	17-1/2"	49	Y	1-3/4"	83.0
NB1071-102-XX	102"	21-7/8"	12-7/16"	5-13/16"	18-5/16"	17-1/2"	52	Y	1-3/4"	90.0
NB1071-104-XX	104"	21-7/8"	12-7/16"	5-13/16"	18-5/16"	17-1/2"	54	Y	1-3/4"	93.0
NB1071-108-XX	108"	21-7/8"	12-7/16"	5-13/16"	18-5/16"	17-1/2"	56	Y	1-3/4"	95.0
NB1071-138-XX	138"	21-7/8"	12-7/16"	5-13/16"	18-5/16"	17-1/2"	73	Y	1-3/4"	120.0

23" - Rack Width

1-3/4" Mounting Spaces

Part Number	H	A	B	C	D	E	Mtg. Sp.	Top Angle	Spacing	Weight(lbs.)
NB1072-84-XX	84"	25-7/8"	17-1/4"	8-5/8"	22-5/16"	21-1/2"	43	N	1-3/4"	70.0
NB1072-90-XX	90"	25-7/8"	17-1/4"	8-5/8"	22-5/16"	21-1/2"	46	Y	1-3/4"	78.0
NB1072-96-XX	96"	25-7/8"	17-1/4"	8-5/8"	22-5/16"	21-1/2"	49	Y	1-3/4"	84.0
NB1072-102-XX	102"	25-7/8"	17-1/4"	8-5/8"	22-5/16"	21-1/2"	52	Y	1-3/4"	91.0
NB1072-104-XX	104"	25-7/8"	17-1/4"	8-5/8"	22-5/16"	21-1/2"	54	Y	1-3/4"	94.0
NB1072-108-XX	108"	25-7/8"	17-1/4"	8-5/8"	22-5/16"	21-1/2"	56	Y	1-3/4"	96.0
NB1072-138-XX	138"	25-7/8"	17-1/4"	8-5/8"	22-5/16"	21-1/2"	73	Y	1-3/4"	121.0

19" - Rack Width

1" Mounting Spaces

Part Number	H	A	B	C	D	E	Mtg. Sp.	Top Angle	Spacing	Weight(lbs.)
NB1073-84-XX	84"	21-7/8"	12-7/16"	5-13/16"	18-5/16"	17-1/2"	76	N	1"	69.0
NB1073-90-XX	90"	21-7/8"	12-7/16"	5-13/16"	18-5/16"	17-1/2"	82	Y	1"	77.0
NB1073-96-XX	96"	21-7/8"	12-7/16"	5-13/16"	18-5/16"	17-1/2"	86	Y	1"	83.0
NB1073-102-XX	102"	21-7/8"	12-7/16"	5-13/16"	18-5/16"	17-1/2"	90	Y	1"	90.0
NB1073-104-XX	104"	21-7/8"	12-7/16"	5-13/16"	18-5/16"	17-1/2"	94	Y	1"	93.0
NB1073-108-XX	108"	21-7/8"	12-7/16"	5-13/16"	18-5/16"	17-1/2"	98	Y	1"	95.0
NB1073-138-XX	138"	21-7/8"	12-7/16"	5-13/16"	18-5/16"	17-1/2"	128	Y	1"	120.0

23" - Rack Width

1" Mounting Spaces

Part Number	H	A	B	C	D	E	Mtg. Sp.	Top Angle	Spacing	Weight(lbs.)
NB1074-84-XX	84"	25-7/8"	17-1/4"	8-5/8"	22-5/16"	21-1/2"	76	N	1"	70.0
NB1074-90-XX	90"	25-7/8"	17-1/4"	8-5/8"	22-5/16"	21-1/2"	82	Y	1"	78.0
NB1074-96-XX	96"	25-7/8"	17-1/4"	8-5/8"	22-5/16"	21-1/2"	86	Y	1"	84.0
NB1074-102-XX	102"	25-7/8"	17-1/4"	8-5/8"	22-5/16"	21-1/2"	90	Y	1"	91.0
NB1074-104-XX	104"	25-7/8"	17-1/4"	8-5/8"	22-5/16"	21-1/2"	94	Y	1"	94.0
NB1074-108-XX	108"	25-7/8"	17-1/4"	8-5/8"	22-5/16"	21-1/2"	98	Y	1"	96.0
NB1074-138-XX	138"	25-7/8"	17-1/4"	8-5/8"	22-5/16"	21-1/2"	128	Y	1"	121.0

Network Bay

Front Guard Rail Kit

Material

- 13 Gauge Sheet Metal and Mounting Hardware

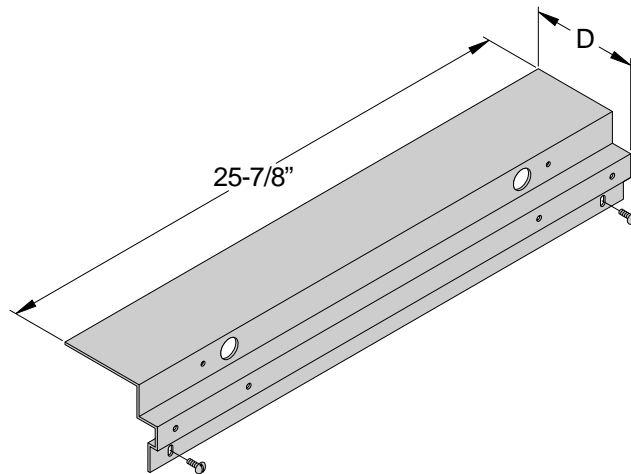
Finish

- GR = Telco Gray
- BL = Blue
- GY = Gray
- Other Colors Available

Notes

Contains

- (1) Guard Rail
- (2) 12-24 X 3/8" Phillips Pan Head Mounting Screw
- Additional Depths Available Upon Request.



Part Number	D	Weight(lbs.)
NB1005-05-XX	5"	7.0
NB1005-06-XX	6"	7.4

Rear Guard Rail Kit

Material

- 13 Gauge Sheet Metal and Mounting Hardware

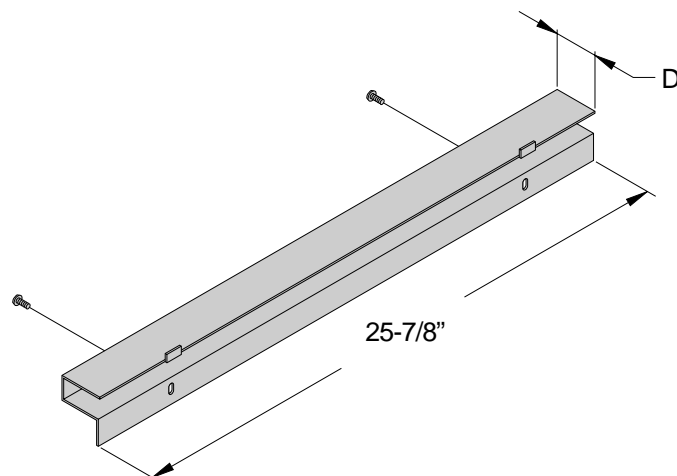
Finish

- GR = Telco Gray
- BL = Blue
- GY = Gray
- Other Colors Available

Notes

Contains

- (1) Guard Rail
- (2) 12-24 X 3/8" Phillips Pan Head Mounting Screw
- Additional Depths Available Upon Request.



Part Number	D	Weight(lbs.)
NB1006-01-XX	1"	4.5
NB1006-02-XX	2"	5.0

Floor Mounting Kit

Material

- 1/4" Steel Flatbar
- Mounting Hardware

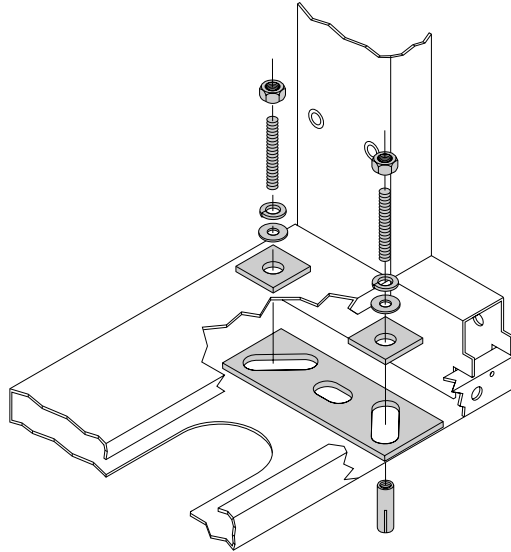
Finish

- Zinc and Yellow

Notes

Contains

- (2) Floor Mounting Plates
- (4) 2" X 2" Seismic Washer, 1/2"-13 X 3-1/4" Stud, 1/2" Drop-In Anchor, 1/2" Lock Washer, 1/2" Flat Washer, 1/2" Hex Nut



Part Number	Weight(lbs.)
NB1015-01	4.2

Network Bay

Insulator Pad Kit

Material

- Regulated U.L. 94 V-1 with an Oxygen Rating Greater than 29

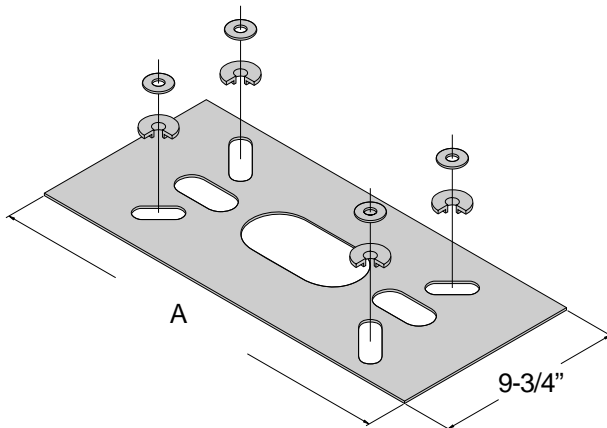
Finish

- Zinc and Yellow

Notes

Contains

- (1) Insulator Pad
- (4) 1/2" Insulating Bushing
- (4) 1/2" Flat Washer



Part Number	A	Weight(lbs.)
UF1007-01	20-1/4"	2.0
UF1007-02	24-1/4"	2.5

End Shield Kit

Material

- 11 Gauge Sheet Metal
- Mounting Hardware

Finish

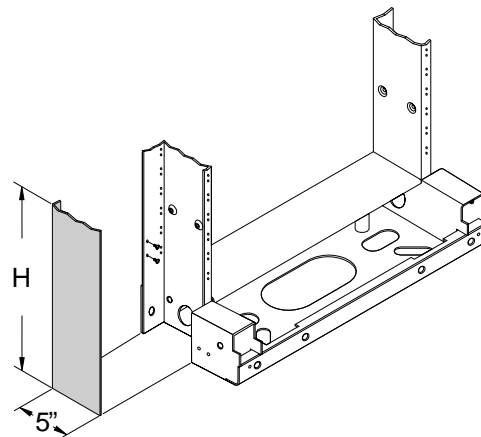
- GR = Telco Gray
- BL = Blue
- GY = Gray
- Other Colors Available

Notes

Contains

- (1) End Shield
- (6) 12-24 X 1/4" Phillips Pan Head Mounting Screw
- Additional Heights And Widths Available Upon Request.

Part Number	H	Weight(lbs.)
NB1012-84-XX	84"	19.2
NB1012-90-XX	90"	20.5
NB1012-96-XX	96"	22



Raceway Kits

Material

- 18 Gauge Sheet Metal
- 22 Gauge Sheet Metal

Finish

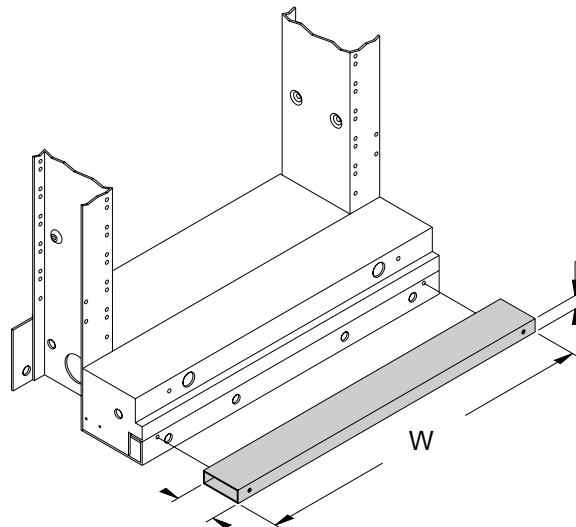
- GR = Telco Gray
- BL = Blue
- GY = Gray
- Other Colors Available

Notes

Contains

- (1) Outlet Strip
- Additional Widths Available Upon Request.

Part Number	W	Description
AC23-XX	25-7/8"	AC Outlet Strip
ACB23-XX	25-7/8"	Blank Strip
ACB2-XX	2-1/2"	Blank Strip
ACB5-XX	5"	Blank Strip



Endcover Kit with Duct Fillers

Material

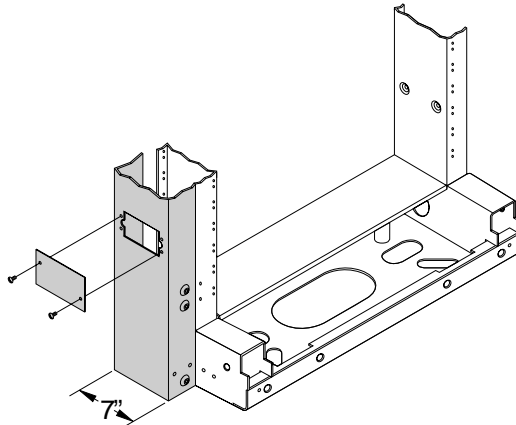
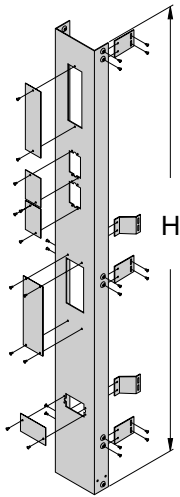
- 11 Gauge Steel
- 18 Gauge Sheet Metal
- Mounting Hardware

Finish

- GR = Telco Gray
- BL = Blue
- GY = Gray
- Other Colors Available

Notes

- Additional Heights Available Upon Request.



Part Number	H	Weight(lbs.)
NB1011-84-XX	84"	24.0
NB1011-90-XX	90"	27.0
NB1011-96-XX	96"	29.0
NB1011-108-XX	108"	35.0

Spacer Kit

Material

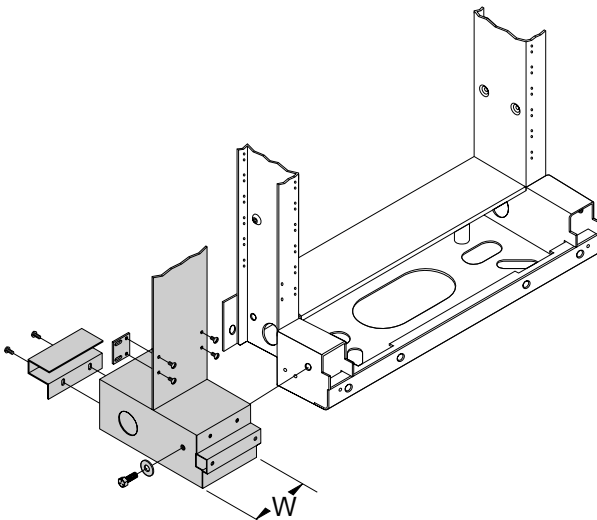
- 11 Gauge Sheet Metal and Mounting Hardware

Finish

- GR = Telco Gray
- BL = Blue
- GY = Gray
- Other Colors Available

Notes

- Additional Heights And Widths Available Upon Request.



Part Number	Height	W	Weight(lbs.)
NB1008-84-XX	84"	2-1/2"	15.0
NB1009-84-XX	84"	5"	17.0
NB1016-84-XX	84"	10"	30.0

Bumper Guard

Material

- 11 Gauge Steel
- Mounting Hardware

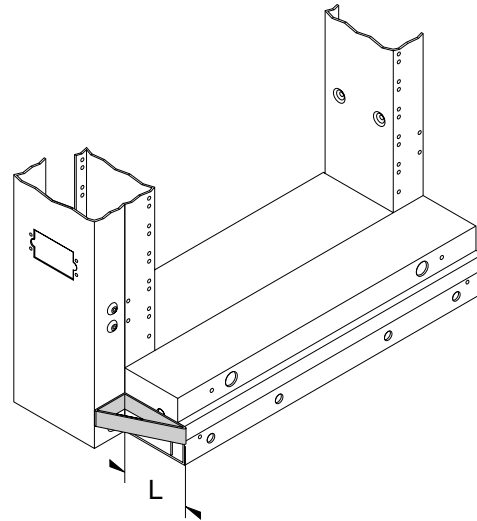
Finish

- GR = Telco Gray
- BL = Blue
- GY = Gray
- Other Colors Available

Notes**Contains**

- (1) Bumper Guards
- (2) Mounting Screws

Part Number	L	Weight(lbs.)
NB1045-01-XX	1"	0.1
NB1045-02-XX	2"	0.2
NB1045-03-XX	3"	0.3
NB1045-04-XX	4"	0.4
NB1045-05-XX	5"	0.5
NB1045-06-XX	6"	0.5
NB1045-07-XX	7"	0.6
NB1045-08-XX	8"	0.7



Guard Rail Extender

Material

- 14 Gauge Steel
- Mounting Hardware

Finish

- GR = Telco Gray
- BL = Blue
- GY = Gray
- Other Colors Available

Notes**Contains**

- (1) Guard Rail Extender
- (2) Mounting Screws, External Tooth Lock Washers, Hex Nuts

Part Number	Weight(lbs.)
NB1036-06-XX	4.0

