

Equipment Rack

Contents

Aluminum Equipment Rack (Data) Light Duty	112
Aluminum Equip. Rack Telco (Single Hole Junction)	113
Aluminum Equip. Rack Telco (Double Hole Junction)	114
Steel Equip. Rack Telco (9 Junction Holes per Upright)	115
Wall Mounted Equipment Rack	116
Cabling Section	117
"D" Ring For 6" Cabling Section	118
Floor Mounting Kit	118
Slide Out Keyboard Shelf	119
Keyboard Shelf	119
Center Mount Shelf	120
Flush Mount Shelf	120
Caster Base Kit For Equipment Rack	121
Plate Kit for 6",9", & 12" Cable Rack.....	121
Wire Management Panel (1 Mtg Space)	122
Wire Management Panel (2 Mtg Spaces)	122
Wire Management Panel (3 Mtg Spaces)	123
Wire Management Ring	123
Rack Adapters	124
Rack Stand-off	125
Blank Filler Panel	126
Cable Bracket Kit	127
Cable Bracket Kit, One Hole	127
Water Pipe 1"	128
Dust Cover	128
Equipment Rack Ground Assembly	129
Equipment Rack Ground Bar Kit.....	129
Floor Insulation Kit for Raised Floor Environments	130
Floor Insulation Kit (1 Pad)	130
Junction Kit.....	131

Aluminum Equipment Rack (Data) Light Duty

Material

- Aluminum Extrusion

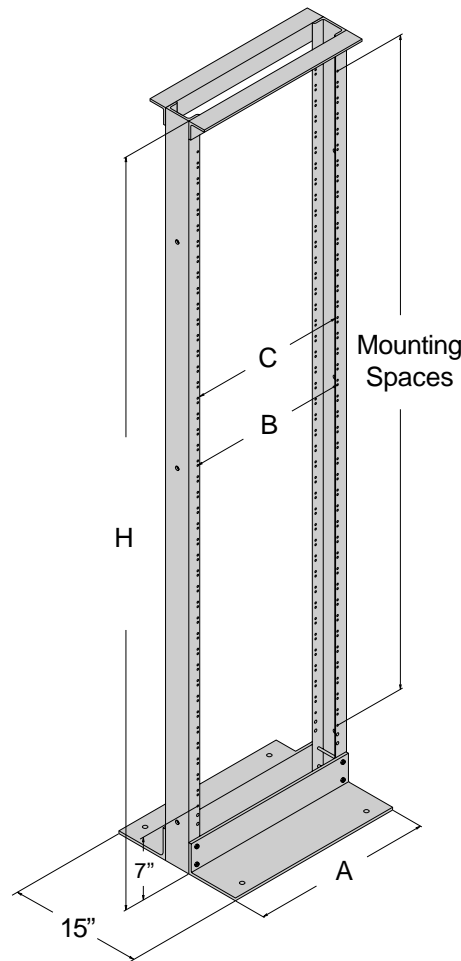
Finish

- GR = Telco Gray
- BA = Brushed Aluminum
- BK = Black
- Other Colors Available

Notes

Spacing

- Typically 5/8" - 5/8" - 1/2"
- Other Spacing Available Upon Request



Equipment Rack

Size	A	B	C
19" Rack	20-5/16"	17-1/2"	18-5/16"
23" Rack	24-5/16"	21-1/2"	22-5/16"

19" Bolted

Part Number	H	Mounting Spaces	Weight(lbs.)
ER192LU-84-XX	84"	44	31.0
ER192LU-90-XX	90"	48	32.0
ER192LU-96-XX	96"	51	33.0

23" Bolted

Part Number	H	Mounting Spaces	Weight(lbs.)
ER232LU-84-XX	84"	44	33.0
ER232LU-90-XX	90"	48	34.0
ER232LU-96-XX	96"	51	35.0

Aluminum Equip. Rack Telco (Single Hole Junction)

Material

- Aluminum Extrusion

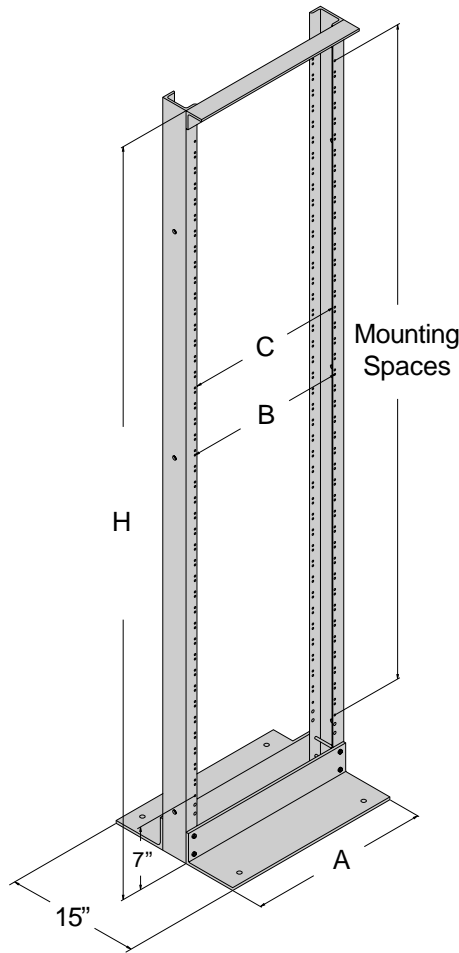
Finish

- GR = Telco Gray
- BA = Brushed Aluminum
- Other Colors Available

Notes

Spacing

- Typically 1-1/4" - 1/2"
- Other Spacing Available Upon Request



Size	A	B	C
19" Rack	20-5/16"	17-1/2"	18-5/16"
23" Rack	24-5/16"	21-1/2"	22-5/16"

19" Bolted

Part Number	H	Mounting Spaces	Weight(lbs.)
ER191H-84-XX	84"	43	35.0
ER191H-90-XX	90"	46	36.0
ER191H-96-XX	96"	49	37.0

23" Bolted

Part Number	H	Mounting Spaces	Weight(lbs.)
ER231H-84-XX	84"	43	37.0
ER231H-90-XX	90"	46	38.0
ER231H-96-XX	96"	49	39.0

Equipment Rack

Aluminum Equip. Rack Telco (Double Hole Junction)

Material

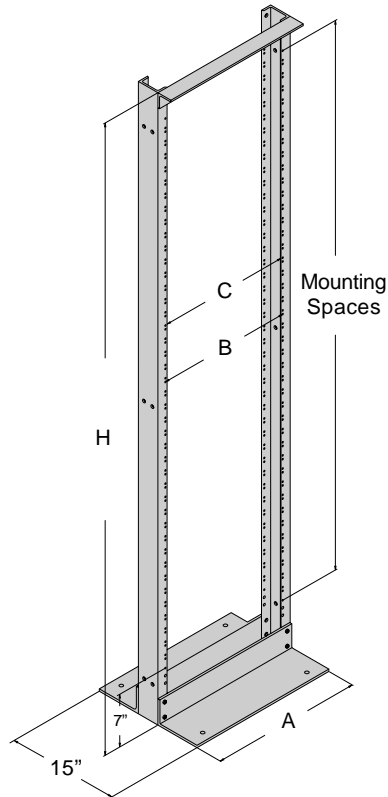
- Aluminum Extrusion

Finish

- GR = Telco Gray
- BA = Brushed Aluminum
- Other Colors Available

Notes**Spacing**

- Typically 1-1/4" - 1/2"
- Other Spacing Available Upon Request



Size	A	B	C
19" Rack	20-5/16"	17-1/2"	18-5/16"
23" Rack	24-5/16"	21-1/2"	22-5/16"

19" Bolted

Part Number	H	Mounting Spaces	Weight(lbs.)
ER191A-84-XX	84"	43	35.0
ER191A-90-XX	90"	46	36.0
ER191A-96-XX	96"	49	37.0

23" Bolted

Part Number	H	Mounting Spaces	Weight(lbs.)
ER231A-84-XX	84"	43	37.0
ER231A-90-XX	90"	46	38.0
ER231A-96-XX	96"	49	39.0

19" Welded

Part Number	H	Mounting Spaces	Weight(lbs.)
ERWA110-84-XX	84"	43	35.0
ERWA110-90-XX	90"	46	36.0
ERWA110-96-XX	96"	49	37.0

23" Welded

Part Number	H	Mounting Spaces	Weight(lbs.)
ERWA210-84-XX	84"	43	37.0
ERWA210-90-XX	90"	46	38.0
ERWA210-96-XX	96"	49	39.0

Steel Equip. Rack Telco (9 Junction Holes per Upright)

Material

- 7 Gauge Hot Rolled Steel
- 1/4" Hot Rolled Steel

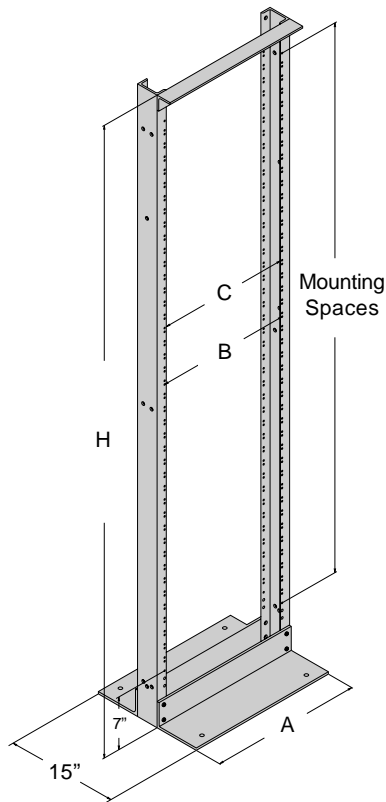
Finish

- GR = Telco Gray
- BK = Black
- Other Colors Available

Notes

Spacing

- Typically 1-1/4" - 1/2"
- Welded Racks come with 2 Top Angles
- Other Spacing Available Upon Request



Size	A	B	C
19" Rack	20-5/16"	17-1/2"	18-5/16"
23" Rack	24-5/16"	21-1/2"	22-5/16"

19" Bolted

Part Number	H	Mounting Spaces	Weight(lbs.)
ER1021-84-XX	84"	43	35.0
ER1021-90-XX	90"	46	36.0
ER1021-96-XX	96"	49	37.0

23" Bolted

Part Number	H	Mounting Spaces	Weight(lbs.)
ER1022-84-XX	84"	43	37.0
ER1022-90-XX	90"	46	38.0
ER1022-96-XX	96"	49	39.0

19" Welded

Part Number	H	Mounting Spaces	Weight(lbs.)
ER1017-84-XX	84"	43	35.0
ER1017-90-XX	90"	46	36.0
ER1017-96-XX	96"	49	37.0

23" Welded

Part Number	H	Mounting Spaces	Weight(lbs.)
ER1018-84-XX	84"	43	37.0
ER1018-90-XX	90"	46	38.0
ER1018-96-XX	96"	49	39.0

Wall Mounted Equipment Rack

Material

- 13 Gauge Sheet Metal

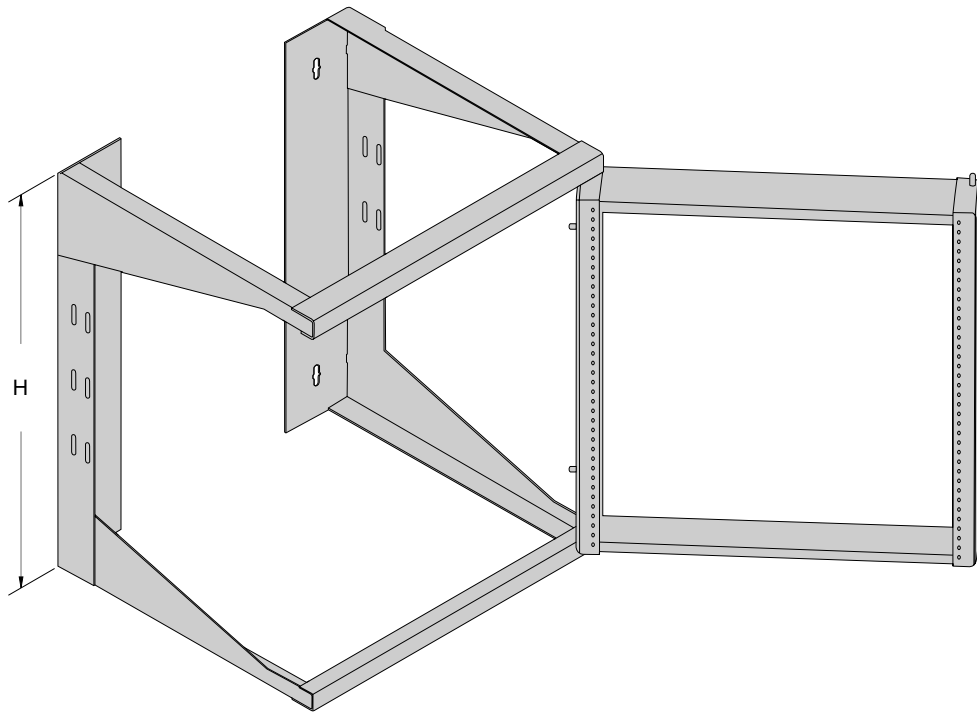
Finish

- BT = Black Textured
- Other Colors Available

Notes

Contains

- (1) Mounting Weldment
- (2) Frame Weldment, Cross Brace
- (4) Bushing
- (8) 1/4"-20 X 1/2" Hex Head Washer/Screw
- (12) 12-24 X 1/2" Dog Point Combo Head Screw
- (20) 14" Nylon Cable Tie



Part Number	H	RMU	Weight(lbs.)
ER1095-01-XX	24"	12	28.0
ER1095-02-XX	38"	20	34.0
ER1095-03-XX	47"	25	41.0
ER1095-04-XX	19"	9	23.5
ER1095-05-XX	16"	7	21.0

Cabling Section

Material

- Aluminum

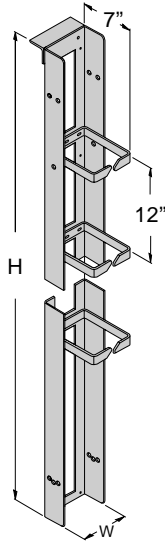
Finish

- GR = Telco Gray
- BA = Brushed Aluminum
- BK = Black
- Other Colors Available

Notes

Contains

- (1) Cabling Section, Top Angle, Cabling Section Cover, Set of D-Rings
- (2) 1/4"-20 X 3/4" Flat Head Screw, 1/4" Hex Nut
- (12) 3/8"-16 X 1" Hex Head Cap Screw, 3/8" Lock Washer, 3/8" Hex Nut
- (14) 12-24 X 1/4" Round Head Screw
- (18) 12-24 X 1/2" Phillips Pan Head Mounting Screw, 1/2" Flat Washer
- (24) 3/8" Flat Washer
- Other Sizes Available Upon Request



Part Number	H	W	Weight(lbs.)
ER2000-84-XX	84"	6"	18.3
ER2000-90-XX	90"	6"	19.0
ER2000-96-XX	96"	6"	19.7
ER2003-84-XX	84"	8"	19.0
ER2003-90-XX	90"	8"	20.5
ER2003-96-XX	96"	8"	21.5
ER2004-84-XX	84"	10"	20.5
ER2004-90-XX	90"	10"	22.0
ER2004-96-XX	96"	10"	23.0
ER2005-84-XX	84"	4"	15.0
ER2005-90-XX	90"	4"	18.0
ER2005-90-XX	96"	4"	21.0

Equipment Rack

Cabling Section

Material

- Aluminum

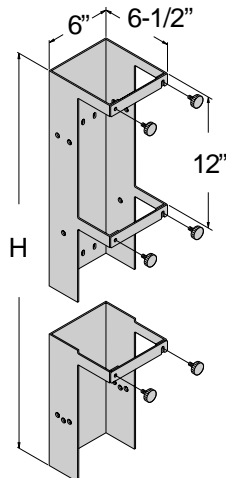
Finish

- GR = Telco Gray
- BA = Brushed Aluminum
- BK = Black
- Other Colors Available

Notes

Contains

- (1) Cabling Section, Set of Brackets, Set of 1/4"-20 X 1/2" Knobs
- Other Sizes Available Upon Request
- Pre-Punched Slots for Cable Tie-Wraps



Part Number	H	Weight(lbs.)
CS6-84-XX	84"	18.3
CS6-96-XX	96"	19.7

"D" Ring For 6" Cabling Section

Material

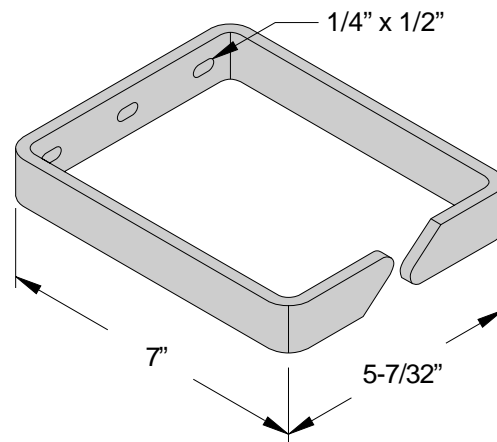
- 3/16" Aluminum

Finish

- Brushed Aluminum

Notes**Contains**

- (1) "D" Ring



Part Number	Weight(lbs.)
CSDR6-7-BA	0.5

Floor Mounting Kit

Material

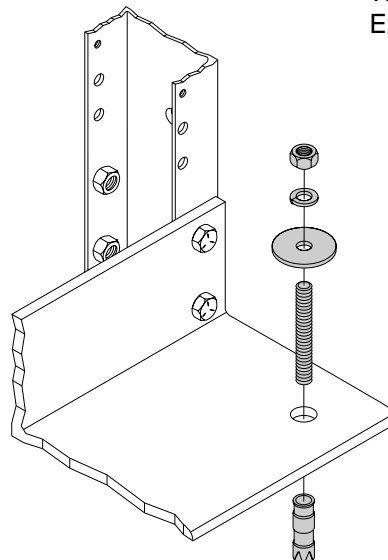
- Grade 5

Finish

- Zinc and Yellow

Notes**Contains**

- (4) Studs, Nuts, Flat Washers, Lock Washers and Machine Expansion Shields



Part Number	Weight(lbs.)
ER15	0.5

Slide Out Keyboard Shelf

Material

- 14 Gauge Steel

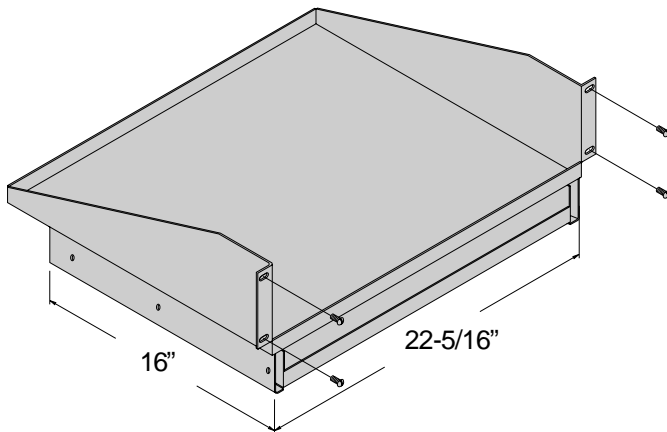
Finish

- GR = Telco Gray
- Other Colors Available

Notes

Contains

- (1) Sliding Keyboard Shelf, Shelf Unit
- (2) Mounting Bracket, Slide
- (4) 8-32 Nylon Insert Lock Nut, 12-24 X 1/2" Pan Head Phillips Mounting Screw, 8-32 X 3/8" Pan Head Machine Screw
- (8) 8-32 X 1/4" Pan Head Machine Screw, 8-32 Hex Nut
- Other Sizes Available



Part Number	Weight(lbs.)
ERSSK217-XX	17

Equipment Rack

Keyboard Shelf

Material

- 14 Gauge Steel

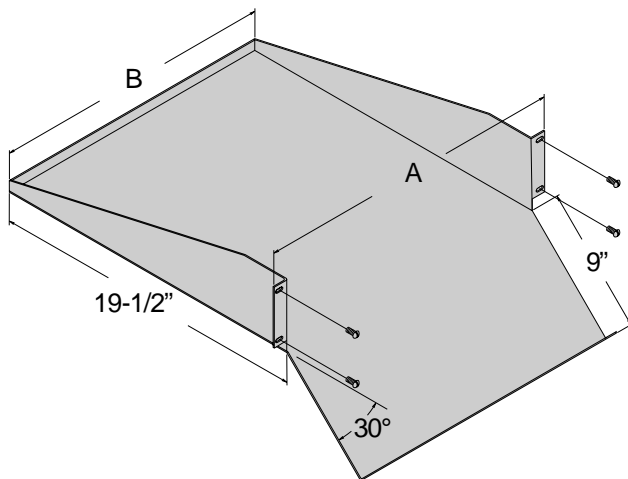
Finish

- GR = Telco Gray
- Other Colors Available

Notes

Contains

- (1) Keyboard Shelf
- (4) 12-24 X 1/2" Phillips Pan Head Mounting Screw
- Other Sizes Available



Part Number	A	B	Weight(lbs)
ERSK11912-XX	19"	17-1/4"	13.0
ERSK21912-XX	23"	21-1/4"	15.5

Center Mount Shelf

Material

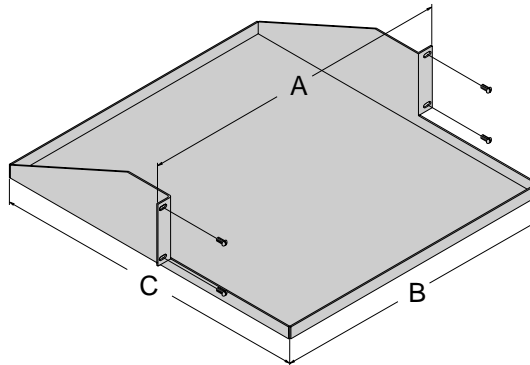
- 14 Gauge Steel

Finish

- GR = Telco Gray
- Other Colors Available

Notes**Contains**

- (1) Keyboard Shelf
- (4) 12-24 X 1/2" Phillips Pan Head Mounting Screw
- Other Sizes Available



Part Number	A	B	C	Weight(lbs.)
ERSC11912-XX	19"	17-1/4"	19-1/2"	10.2
ERSC21912-XX	23"	21-1/4"	19-1/2"	11.9
ERSC115-XX	19"	17-1/4"	15-1/2"	7.2
ERSC215-XX	23"	21-1/4"	15-1/2"	8.4

Flush Mount Shelf

Material

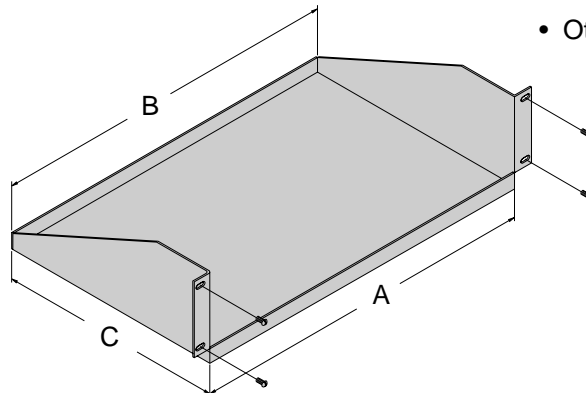
- 14 Gauge Steel

Finish

- GR = Telco Gray
- Other Colors Available

Notes**Contains**

- (1) Keyboard Shelf
- (4) 12-24 X 1/2" Phillips Pan Head Mounting Screw
- Other Sizes Available



Part Number	A	B	C	Weight(lbs.)
ERSF115-XX	19"	17-3/8"	15"	7.4
ERSF215-XX	23"	21-3/8"	15"	9.0

Caster Base Kit For Equipment Rack

Material

- 1/4" Steel Plate

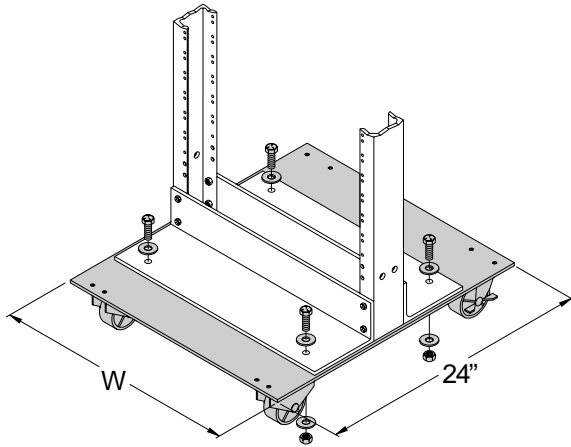
Finish

- GR = Telco Gray
- Other Colors Available

Notes

Contains

- (1) Caster Base, Plate
- (4) Casters, 1/2" Hex Nuts, Hex Cap Screws
- (8) 1/2" Flat Washers
- (16) 5/16" Flat Head Screws, Flat Washers, Lock Washers, Hex Nuts



Part Number	W	Weight(lbs)
ER2002-01-XX	21"	45
ER2002-02-XX	25"	49

Equipment Rack

Plate Kit for 6", 9", & 12" Cable Rack

Material

- 1/4" Steel Plate

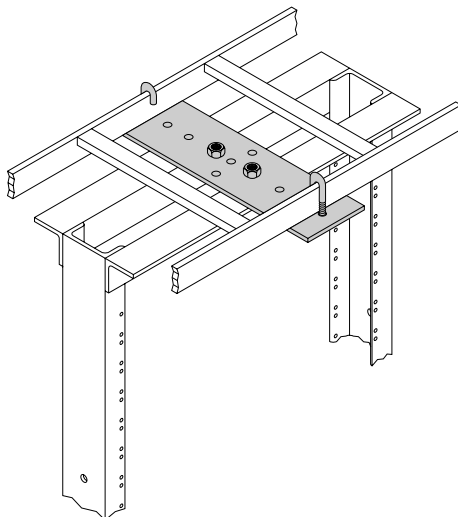
Finish

- GR = Telco Gray
- Other Colors Available

Notes

Contains

- (1) Plate
- (4) J-Bolts, Nuts and Washers



Part Number	Weight(lbs.)
ER10-XX	4.5

Wire Management Panel (1 Mtg Space)

Material

- 16 Gauge Steel

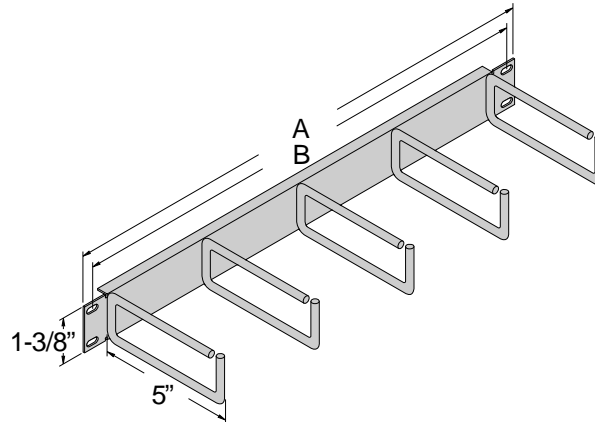
Finish

- GR = Telco Gray
- BK = Black
- Other Colors Available

Notes

Contains

- (1) Wire Management Panel
- (4) 12-24 X 1/2" Phillips Pan Head Mounting Screw



Part Number	A	B	Weight(lbs)
ERWMP115-XX	19"	18-5/16"	1.2
ERWMP125-XX	23"	22-3/8"	1.4

Equipment Rack

Wire Management Panel (2 Mtg Spaces)

Material

- 16 Gauge Steel

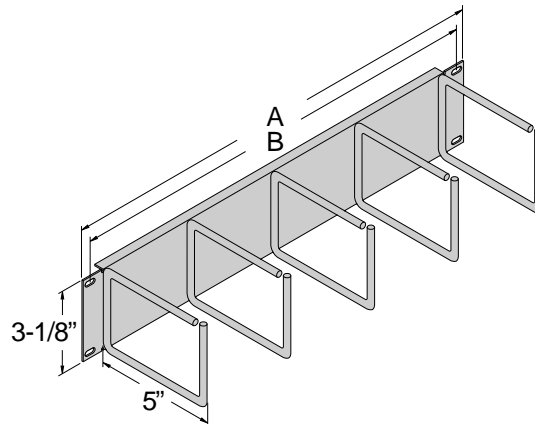
Finish

- GR = Telco Gray
- Other Colors Available

Notes

Contains

- (1) Wire Management Panel
- (4) 12-24 X 1/2" Phillips Pan Head Mounting Screw



Part Number	A	B	Weight(lbs)
ERWMP215-XX	19"	18-5/16"	1.2
ERWMP225-XX	23"	22-3/8"	1.4

Wire Management Panel (3 Mtg Spaces)

Material

- 16 Gauge Steel

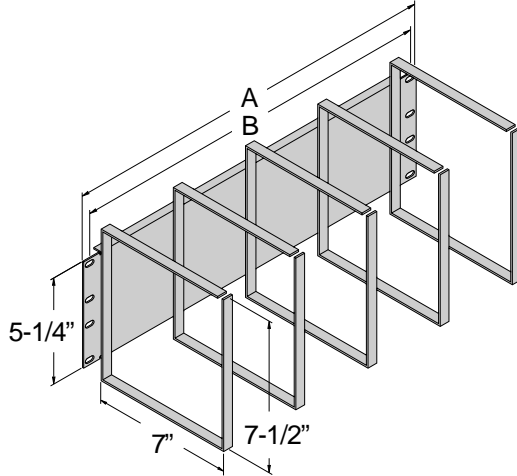
Finish

- GR = Telco Gray
- Other Colors Available

Notes

Contains

- (1) Wire Management Panel
- (8) 12-24 X 1/2" Phillips Pan Head Mounting Screw



Part Number	A	B	Weight(lbs)
ERWMP317-XX	19"	18-5/16"	3.4
ERWMP327-XX	23"	22-3/8"	3.6

Equipment Rack

Wire Management Ring

Material

- 16 Gauge Steel

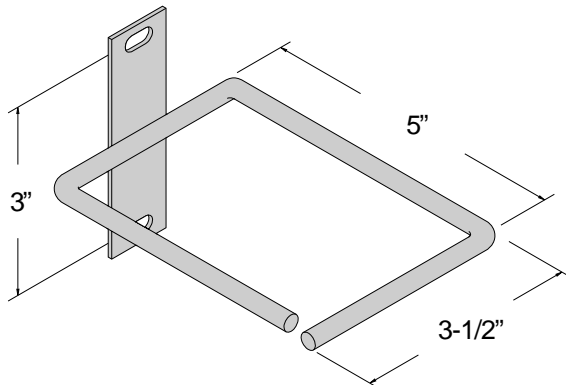
Finish

- GR = Telco Gray
- Other Colors Available

Notes

Contains

- (1) Vertical Mngement Ring
- (2) 12-24 X 1/2" Phillips Pan Head Mounting Screw



Part Number	Weight(lbs.)
ERWMR35-XX	0.8

Rack Adapters

Material

- 11 Gauge Steel

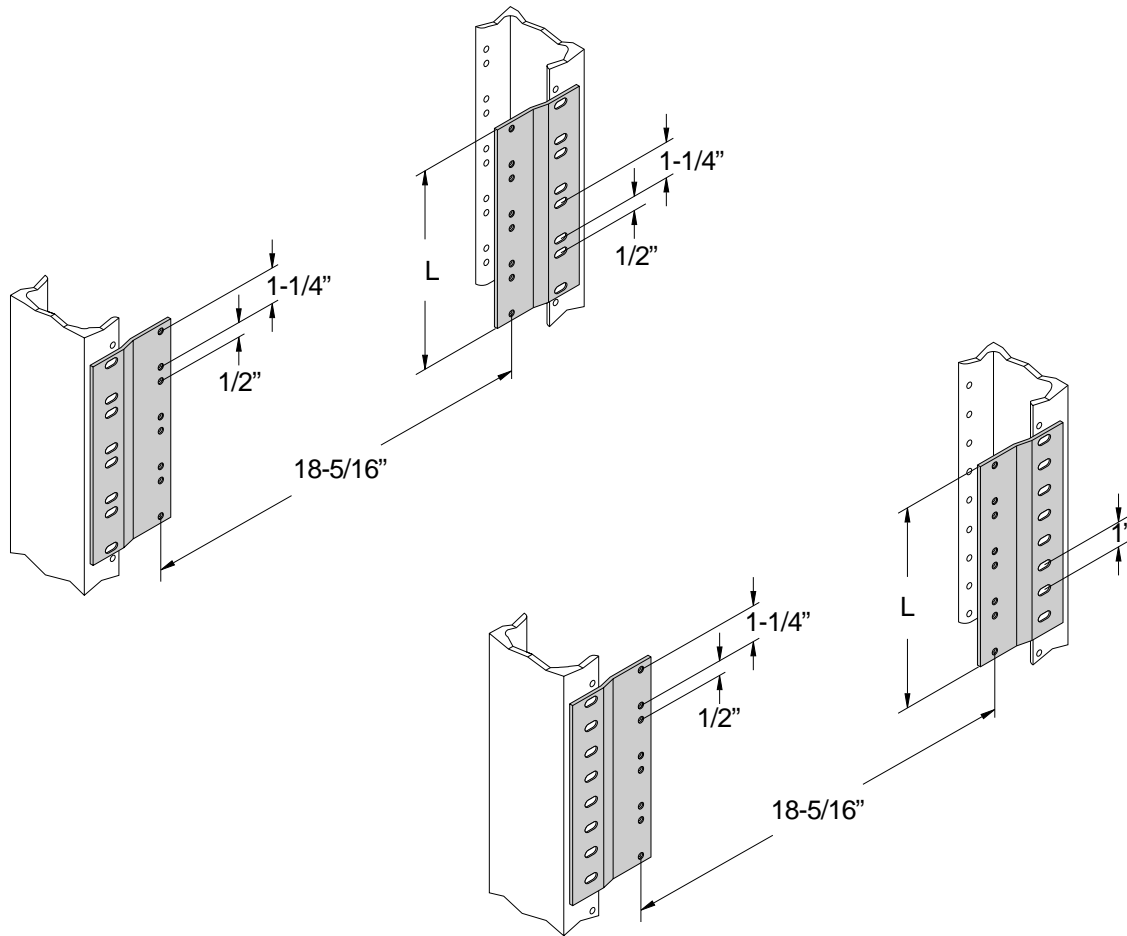
Finish

- GR = Telco Gray
- Other Colors Available

Notes

Contains

- (2) Rack Adapter
- (4) 12-24 X 1/2" Phillips Pan Head Mounting Screw



1-3/4" Rack Spacing

Part Number	L	Mounting Spaces	Weight(lbs.)
ERRA134-1-XX	1-3/4"	1	0.5
ERRA134-2-XX	3-1/2"	2	1.0
ERRA134-3-XX	5-1/4"	3	1.5
ERRA134-4-XX	7"	4	2.0
ERRA134-5-XX	8-3/4"	5	2.5
ERRA134-10-XX	17-1/2"	10	5.0
ERRA134-20-XX	35"	20	10.0
ERRA134-30-XX	52-1/2"	30	15.0

1" Rack Spacing

Part Number	L	Mounting Spaces	Weight(lbs.)
ERRA1-1-XX	1-3/4"	1	0.5
ERRA1-2-XX	3-1/2"	2	1.0
ERRA1-3-XX	5-1/4"	3	1.5
ERRA1-4-XX	7"	4	2.0
ERRA1-5-XX	8-3/4"	5	2.5
ERRA1-10-XX	17-1/2"	10	5.0
ERRA1-20-XX	35"	20	10.0
ERRA1-30-XX	52-1/2"	30	15.0

Rack Stand-Off

Material

- 11 Gauge Steel

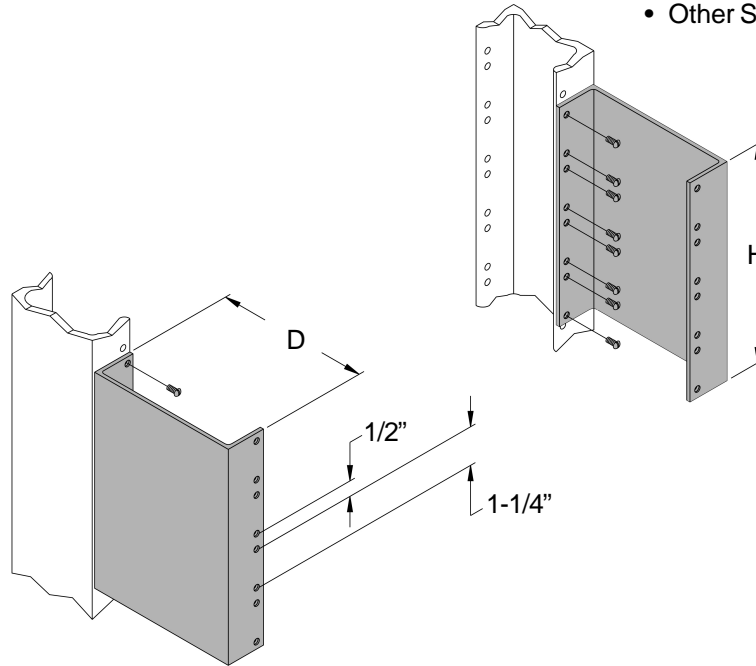
Finish

- GR = Telco Gray
- BK = Black
- Other Colors Available

Notes

Contains

- (1) Set of 12-24 X 1/2" Phillips Pan Head Mounting Screw
- (2) Rack Stand-Off
- Other Sizes Available



D = 3"

Part Number	H	Mounting Spaces	Weight(lbs.)
ERST3-1-XX	1-3/4"	1	0.5
ERST3-2-XX	3-1/2"	2	1.0
ERST3-3-XX	5-1/4"	3	1.5
ERST3-4-XX	7"	4	2.0
ERST3-5-XX	8-3/4"	5	2.5
ERST3-10-XX	17-1/2"	10	5.0
ERST3-20-XX	35"	20	10.0
ERST3-30-XX	52-1/2"	30	15.0

D = 5"

Part Number	H	Mounting Spaces	Weight(lbs.)
ERST5-1-XX	1-3/4"	1	0.5
ERST5-2-XX	3-1/2"	2	1.0
ERST5-3-XX	5-1/4"	3	1.5
ERST5-4-XX	7"	4	2.0
ERST5-5-XX	8-3/4"	5	2.5
ERST5-10-XX	17-1/2"	10	5.0
ERST5-20-XX	35"	20	10.0
ERST5-30-XX	52-1/2"	30	15.0

D = 7"

Part Number	H	Mounting Spaces	Weight(lbs.)
ERST7-1-XX	1-3/4"	1	0.5
ERST7-2-XX	3-1/2"	2	1.0
ERST7-3-XX	5-1/4"	3	1.5
ERST7-4-XX	7"	4	2.0
ERST7-5-XX	8-3/4"	5	2.5
ERST7-10-XX	17-1/2"	10	5.0
ERST7-20-XX	35"	20	10.0
ERST7-30-XX	52-1/2"	30	15.0

Equipment Rack

Blank Filler Panel

Material

- 11 Gauge Steel

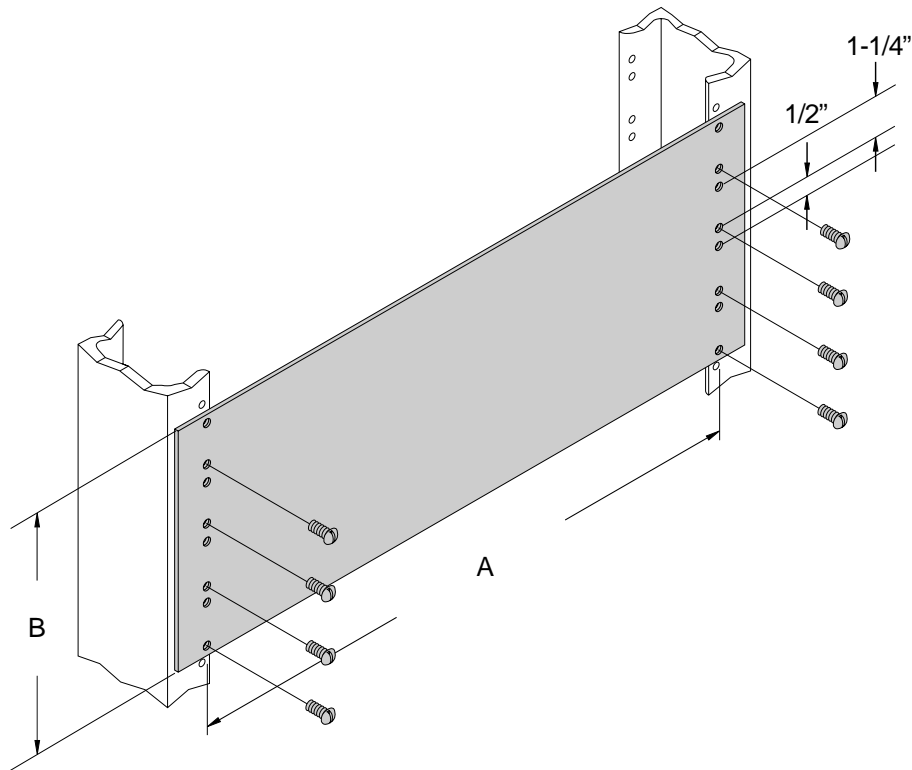
Finish

- GR = Telco Gray
- BK = Black
- Other Colors Available

Notes

Contains

- (1) Blank Filler Panel, Set of 12-24 X 1/2" Phillips Pan Head Mounting Screw



19" Equipment Racks

Part Number	B	A	Spc.	Weight(lbs.)
BFP1-1-XX	1.2"	18-5/16"	1	0.6
BFP1-2-XX	3.5"	18-5/16"	2	1.2
BFP1-3-XX	5.2"	18-5/16"	3	1.8
BFP1-4-XX	7.0"	18-5/16"	4	2.3
BFP1-5-XX	8.7"	18-5/16"	5	2.9

23" Equipment Racks

Part Number	B	A	Spc.	Weight(lbs.)
BFP2-1-XX	1.2"	22-5/16"	1	0.7
BFP2-2-XX	3.5"	22-5/16"	2	1.4
BFP2-3-XX	5.2"	22-5/16"	3	2.1
BFP2-4-XX	7.0"	22-5/16"	4	2.8
BFP2-5-XX	8.7"	22-5/16"	5	3.5

Cable Bracket Kit

Material

- 7 Gauge Steel

Finish

- GR = Telco Gray
- ZY = Zinc and Yellow
- Other Colors Available

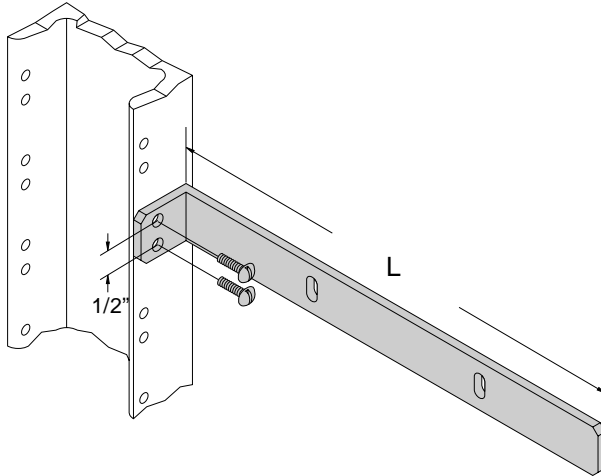
Notes

Contains

- (1) Bracket
- (2) 12-24 x 1/2" Phillips Pan Head Mounting Screws

Note

- Will Not Twist



Part Number	L	Weight(lbs.)
ERCB1-2-XX	2"	0.2
ERCB1-4-XX	4"	0.3
ERCB1-6-XX	6"	0.4
ERCB1-8-XX	8"	0.5
ERCB1-10-XX	10"	0.6

Cable Bracket Kit, One Hole

Material

- 3/16" Steel Bar

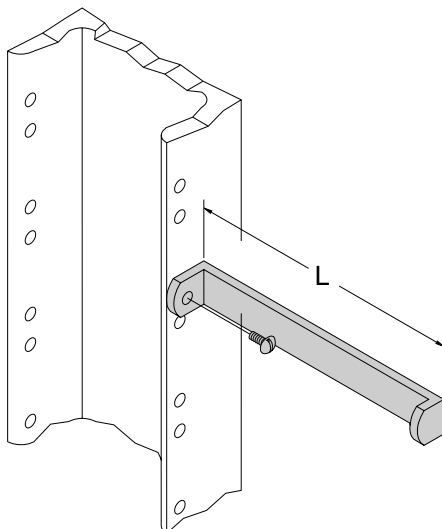
Finish

- GR = Telco Gray
- ZY = Zinc and Yellow
- Other Colors Available

Notes

Contains

- (1) Bracket
- (1) 12-24 x 1/2" Phillips Pan Head Mounting Screw



Part Number	L	Weight(lbs.)
ERCB2-02-XX	2"	0.1
ERCB2-03-XX	3"	0.2
ERCB2-04-XX	4"	0.2
ERCB2-05-XX	5"	0.5
ERCB2-06-XX	6"	0.3
ERCB2-07-XX	7"	0.3
ERCB2-08-XX	8"	0.4
ERCB2-09-XX	9"	0.4
ERCB2-10-XX	10"	0.4

Water Pipe 1"

Material

- 1" Schedule 40 Steel Pipe

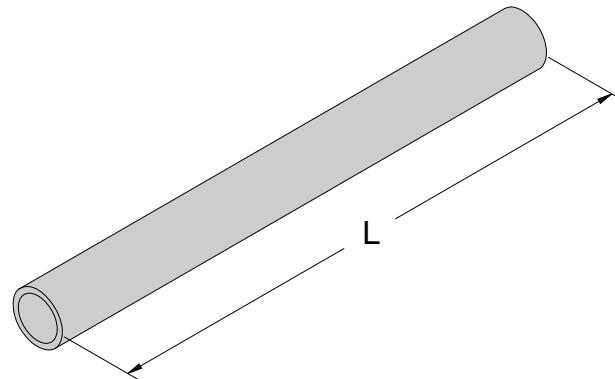
Finish

- GR = Telco Gray
- GL = Galvanized
- Other Colors Available

Notes

Contains

- (1) Water Pipe
- Other Sizes Available



Part Number	L	Weight(lbs.)
PIPE1-60-XX	60"	8.4
PIPE1-120-XX	120"	16.8

Dust Cover

Material

- 16 Gauge Sheet

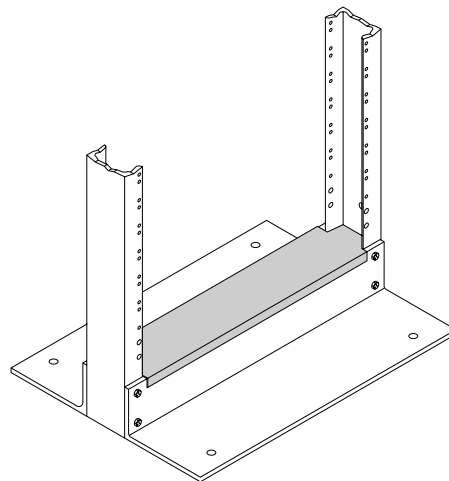
Finish

- GR = Telco Gray
- BA = Brushed Aluminum
- Other Colors Available

Notes

Contains

- (1) Brushed Aluminum Dust Pan



Part Number	Rack	Weight(lbs.)
DC19-XX	19"	1.6
DC23-XX	23"	2.0

Equipment Rack Ground Assembly

Material

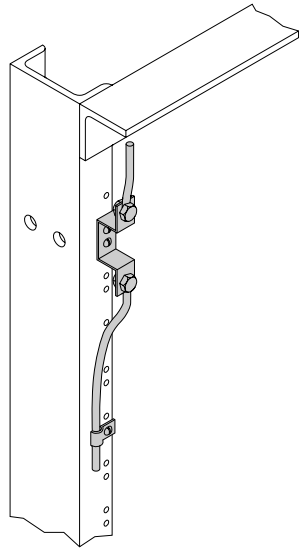
Finish

- Zinc and Yellow

Notes

Contains

- No. 6 Solid Copper Wire
- Mounting Hardware



Part Number	Weight(lbs.)
ERGA1	1.0

Equipment Rack

Equipment Rack Ground Bar Kit

Material

- Copper

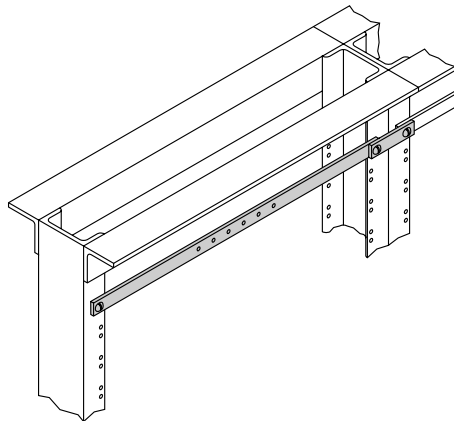
Finish

- Copper

Notes

Contains

- (1) Ground Bar, Splice
- (2) 12-24 X 3/4" Copper Plated Phillips Pan Head Mounting Screw, No. 12 Copper Flat Washer
- (6) 6-32 X 1/4" Copper Plated Round Head Machine Screw



Part Number	Rack	Weight(lbs.)
ERGB1	19"	1.1
ERGB2	23"	1.3

Floor Insulation Kit for Raised Floor Environments

Material

- 1/16" PVC Sheet

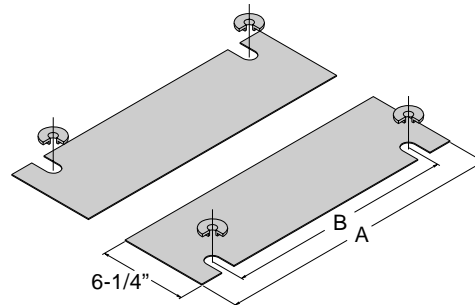
Finish

- Gray
- Other Colors Available

Notes

Contains

- (2) Insulating Pad
- (4) Insulating Bushing
- U.L 94 V-O Rating



Part Number	A	B	Rack Widths	Weight(lbs)
IPK19614	20-1/4"	16"	19"	2.0
IPK23614	24-1/4"	20"	23"	2.2

Floor Insulation Kit (1 Pad)

Material

- 1/8" PVC Sheet

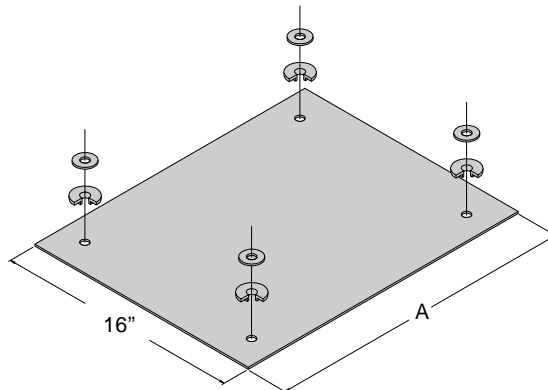
Finish

- Gray

Notes

Contains

- (1) Insulating Pad
- (4) Insulating Bushing
- (4) 1/2" Flat Washer
- U.L 94 V-O Rating



Part number	A	Rack Width	Weight(lbs.)
IPK19	20-1/4"	19"	2.6
IPK23	24-1/4"	23"	2.8

Junction Kit

Material

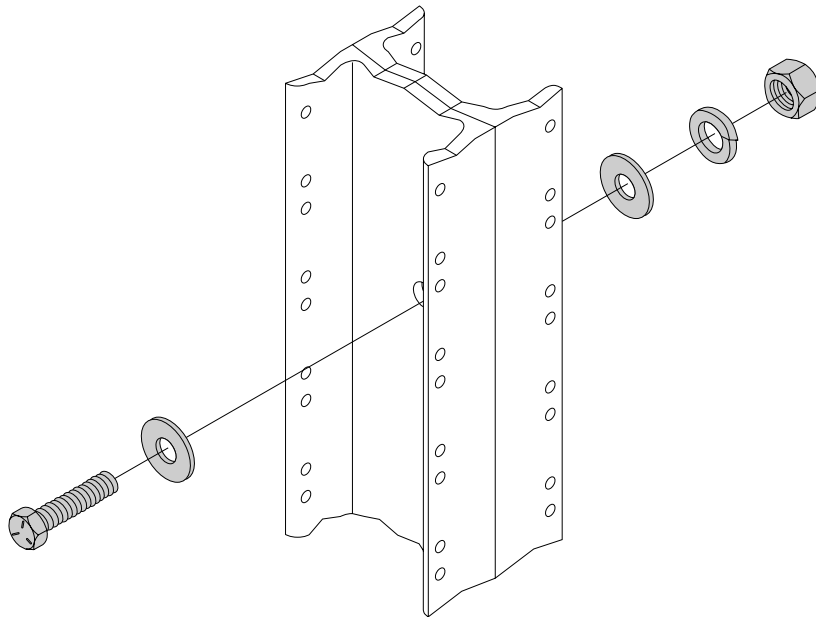
- Grade 5

Finish

- Zinc and Yellow

Notes**Contains**

- (6) Bolts, Nuts, Flat Washers and Lock Washers



Equipment Rack

Part Number	Weight(lbs.)
ER14	0.2

