

Cable Rack

Contents

Cable Rack With Solid Stringers	35
Cable Rack With Tubular Stringers	36
Cable Rack With C-Channel Stringers	37
Cable Rack, Trough Style	38
Cable Rack With Solid Stringers and Junction Holes	39
Cable Rack With C-Channel Stringers and Strap Holes	40
Cable Rack With Junction Holes, Trough Style	41
Cable Rack With Solid Stringers With 2 Junction Holes	42
Cable Rack Bend Universal Inside/Outside	43
Cable Rack Bend 90° Horizontal	44
Cable Rack Pan	45
Pivot Splice Assembly	46
Pivot Splice Assembly (Continuity)	46
Cable Support Tube Kit	46
“T” Pivot Assembly	47
“T” Pivot Assembly (Continuity)	47
Adjustable Vertical Splice Assembly	47
Splice Kit For Cable Rack	48
Splice Kit For Cable Rack (Continuity)	48
Splice Kit For Cable Rack With Insulator	48
Splice Kit For 1-1/2” to 2” Stringer Transition	49
Splice Kit For Dual 1-1/2” Stringer	49
Splice Kit (Heavy Duty)	50
Splice Kit (Heavy Duty Continuity)	50
Splice Kit (Seismic)	50
Corner Brace Kit	51
Corner Clamp Kit For Cable Rack “T” Junction	51
Corner Clamp Kit For Cable Rack “T” (Continuity)	51
Corner Clamp Kit For 90° Cable Rack Turn	52
Corner Clamp Kit For 1-1/2” to 2” Stringer Transition	52
Corner Bracket Kit For Seismic Environment	53
Slip-On Bracket Kit For 2” Cable Rack	53
Clamp Kit 45°	54
Clamp Kit 90°	54

Section Two

Cable Rack

Contents(Continued)

Hanger Bracket Kit	55
Hanger Bracket Kit (Slotted)	56
Hanger Bracket for Cable Rack Side Bar Support	57
Ceiling Hanger Bracket Kit	57
Bracing Cable Rack From Auxiliary Channel Kit	58
Strap Channel Type For Cable Rack.....	58
Clip J-Bolt Kit	59
Spanner J-Bolt Kit	59
Supporting Cable Rack from Cabinet Bracket Kit	60
Supporting Upper Cable Rack from Lower Cable Rack Kit	60
Center Support Bracket kit	61
Floor Support Bracket kit	61
Wall Angle Kit to Support Cable Rack.....	62
Wall Angle Kit to Support Cable Rack, Multi Use	62
Wall Support Bracket For Cable Rack	63
Cable Pulling Bracket Assembly	63
Cable Rack Wire Ring	64
Power Cable Bracket Kit (Short)	64
Power Cable Bracket Kit (External).....	65
Power Cable Bracket Kit (Internal)	65
Overhead Power Cable Bracket Kit	66
Overhead Power Cable Bracket Kit (Double)	66
Wireform Retainer Kit	67
Cable Retainer Kit.....	67
Floor Angle Kit	68
Wall Clip Kit	68
Retaining Post Kit (Flat)	69
Retaining Post Kit (Flat Tubular)	69
Retaining Post Kit (Tubular)	70
End Bar Kit.....	70

Cable Rack with Solid Stringers

Material

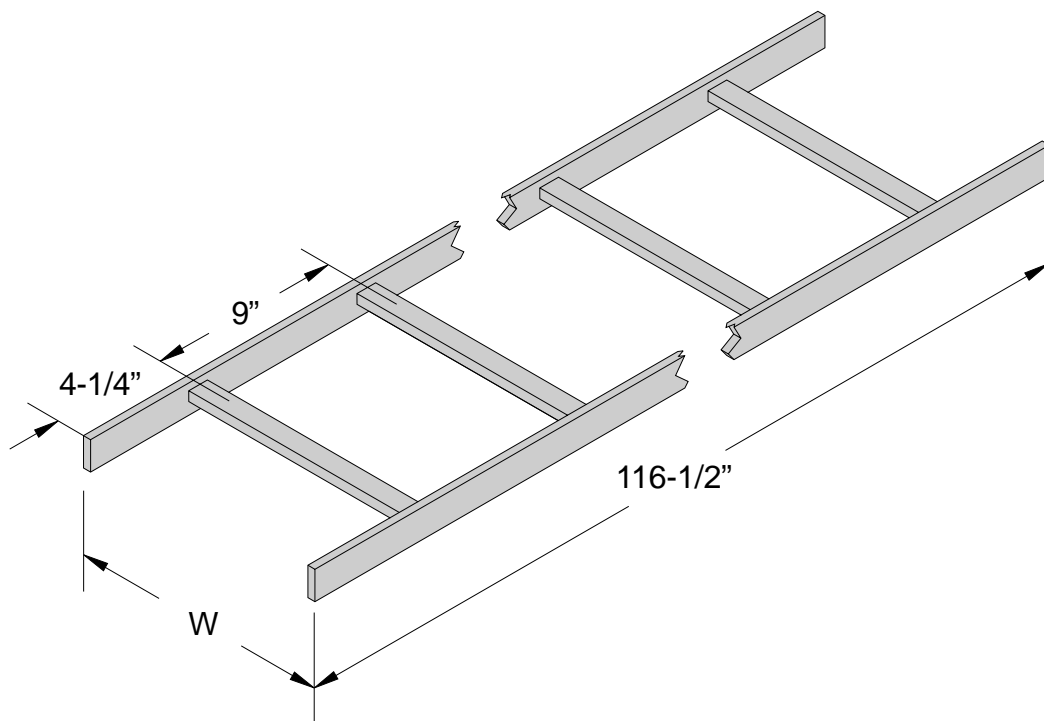
- 1/2" x 1" Steel Channel Rungs
- 3/4" x 1-1/4" Steel Channel Rungs on 25" and Wider
- 3/8" Steel Flat Bar Stringer

Finish

- GR = Telco Gray
- BK = Black
- ZY = Zinc and Yellow
- OR = Orange
- Other Colors Available

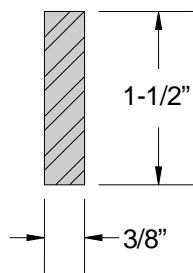
Notes

- Additional Lengths And Widths Available Upon Request



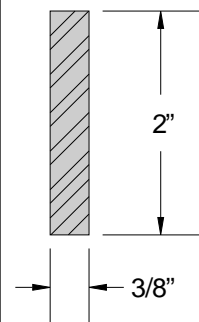
1-1/2" Stringer

Part number	W	Weight(lbs.)
CR01-05-XX	5"	42.0
CR01-06-XX	6"	43.0
CR01-09-XX	9"	46.0
CR01-12-XX	12"	49.0
CR01-15-XX	15"	51.0
CR01-18-XX	18"	54.0
CR01-20-XX	20"	57.0
CR01-24-XX	24"	60.0
CR01-25-XX	25"	62.0
CR01-30-XX	30"	68.0
CR01-36-XX	36"	74.0



2" Stringer

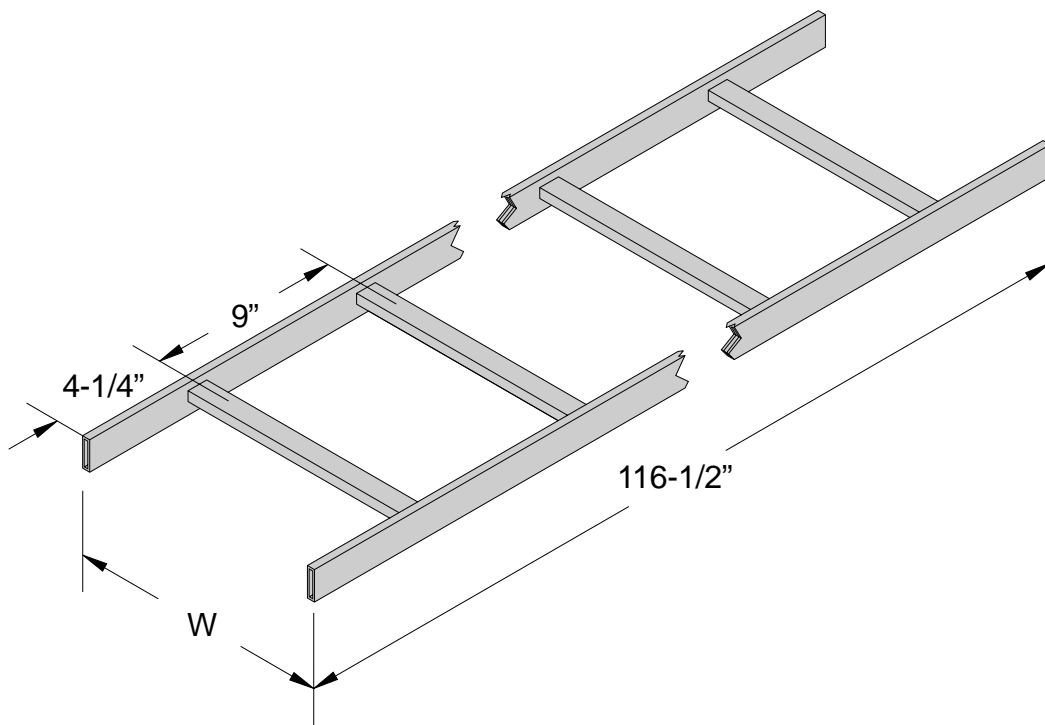
Part number	W	Weight(lbs.)
CR02-05-XX	5"	55.0
CR02-06-XX	6"	56.0
CR02-09-XX	9"	59.0
CR02-12-XX	12"	62.0
CR02-15-XX	15"	64.0
CR02-18-XX	18"	67.0
CR02-20-XX	20"	70.0
CR02-24-XX	24"	73.0
CR35-24-XX	24"	74.5
CR02-25-XX	25"	75.0
CR02-30-XX	30"	81.0
CR02-36-XX	36"	87.0



Cable Rack with Tubular Stringers

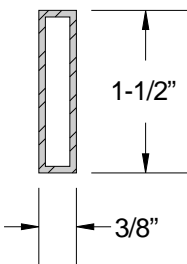
Material	Finish	Notes
<ul style="list-style-type: none"> • 1/2" x 1" Steel Channel Rungs • 3/4" x 1-1/4" Steel Channel Rungs on 25" and Wider • 3/8" Steel Tubular Stringer 	<ul style="list-style-type: none"> • GR = Telco Gray • BK = Black • ZY = Zinc and Yellow • OR = Orange • Other Colors Available 	<ul style="list-style-type: none"> • Additional Lengths And Widths Available Upon Request

Cable Rack



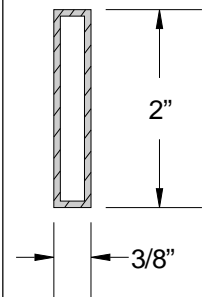
1-1/2" Stringer

Part Number	W	Weight(lbs.)
CR03-05-XX	5"	16.0
CR03-06-XX	6"	17.0
CR03-09-XX	9"	20.0
CR03-12-XX	12"	22.0
CR03-15-XX	15"	24.0
CR03-18-XX	18"	26.0
CR03-20-XX	20"	27.0
CR03-24-XX	24"	29.0
CR03-30-XX	30"	32.0
CR03-36-XX	36"	36.0



2" Stringer

Part Number	W	Weight(lbs.)
CR04-05-XX	5"	20.8
CR04-06-XX	6"	21.5
CR04-09-XX	9"	23.3
CR04-12-XX	12"	25.1
CR04-15-XX	15"	26.9
CR04-18-XX	18"	28.0
CR04-20-XX	20"	29.4
CR04-24-XX	24"	32.3
CR04-30-XX	30"	36.6
CR04-36-XX	36"	40.2



Cable Rack with C-Channel Stringers

Material

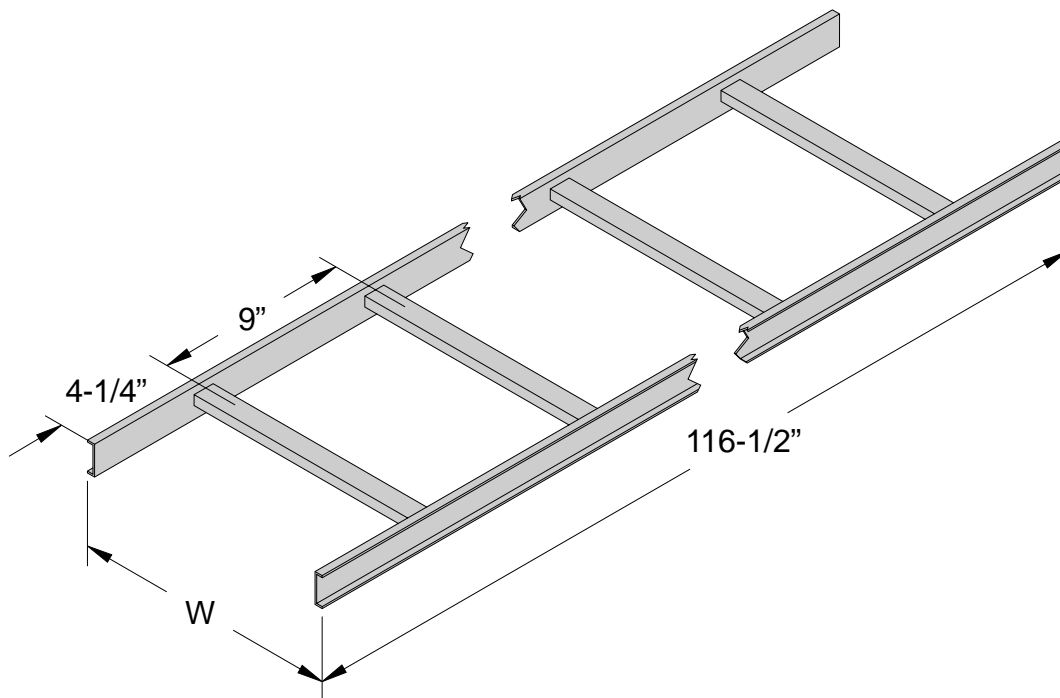
- 1/2" x 1" Steel Channel Rungs
- 3/4" x 1-1/4" Steel Channel Rungs on 25" and Wider
- 3/8" Steel Channel Stringer

Finish

- GR = Telco Gray
- BK = Black
- ZY = Zinc and Yellow
- OR = Orange
- Other Colors Available

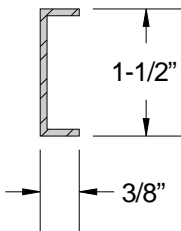
Notes

- Additional Lengths And Widths Available Upon Request



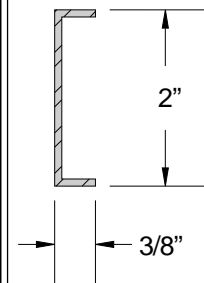
1-1/2" Stringer

Part number	W	Weight(lbs.)
CR05-05-XX	5"	20.8
CR05-06-XX	6"	21.5
CR05-09-XX	9"	23.7
CR05-12-XX	12"	25.9
CR05-15-XX	15"	28.1
CR05-18-XX	18"	30.4
CR05-20-XX	20"	31.9
CR05-24-XX	24"	34.8
CR05-25-XX	25"	35.5
CR05-30-XX	30"	39.2
CR05-36-XX	36"	43.6



2" Stringer

Part number	W	Weight(lbs.)
CR06-05-XX	5"	25.5
CR06-06-XX	6"	26.2
CR06-09-XX	9"	28.4
CR06-12-XX	12"	30.6
CR06-15-XX	15"	32.8
CR06-18-XX	18"	35.0
CR06-20-XX	20"	36.5
CR06-24-XX	24"	39.5
CR06-25-XX	25"	44.2
CR06-30-XX	30"	48.8
CR06-36-XX	36"	52.2

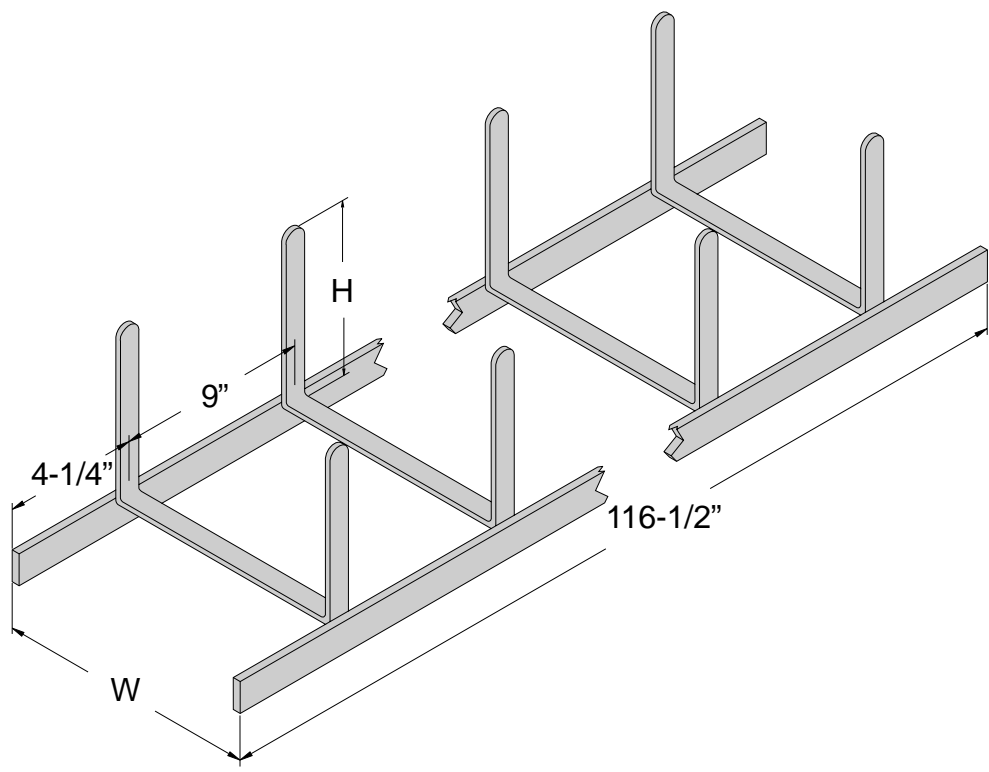


Cable Rack

Trough Style Cable Rack

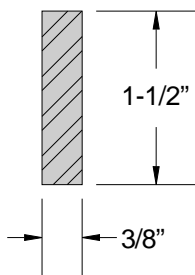
Material	Finish	Notes
<ul style="list-style-type: none"> • 1/4" x 1" Steel Trough Rungs • 3/8" Steel Flat Bar Stringer 	<ul style="list-style-type: none"> • GR = Telco Gray • BK = Black • ZY = Zinc and Yellow • OR = Orange • Other Colors Available 	<ul style="list-style-type: none"> • Additional Lengths And Widths Available Upon Request

Cable Rack



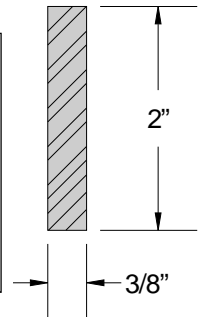
1-1/2" Stringer

Part Number	W	H	Weight(lbs.)
CR13-06-XX	6"	5"	43.0
CR13-09-XX	9"	8"	46.0
CR13-12-XX	12"	8"	49.0
CR13-15-XX	15"	8"	51.0
CR13-18-XX	18"	8"	54.0
CR13-20-XX	20"	8"	57.0
CR13-24-XX	24"	8"	60.0



2" Stringer

Part Number	W	H	Weight(lbs.)
CR14-06-XX	6"	5"	56.0
CR14-09-XX	9"	8"	59.0
CR14-12-XX	12"	8"	62.0
CR14-15-XX	15"	8"	64.0
CR14-18-XX	18"	8"	67.0
CR14-20-XX	20"	8"	70.0
CR14-24-XX	24"	8"	73.0



Cable Rack w/ Solid Stringers and Junction Holes

Material

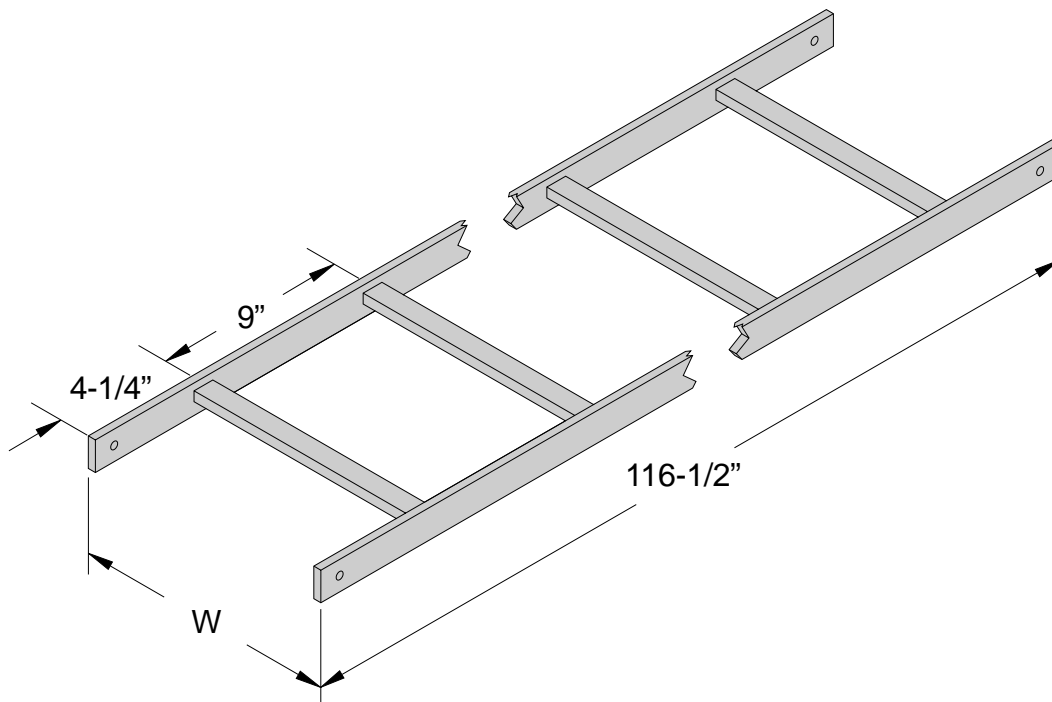
- 1/2" x 1" Steel Channel Rungs
- 3/4" x 1-1/4" Steel Channel Rungs on 25" and Wider
- 3/8" Steel Flat Bar

Finish

- GR = Telco Gray
- BK = Black
- ZY = Zinc and Yellow
- OR = Orange
- Other Colors Available

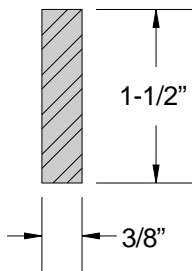
Notes

- 7/16" Holes Provided On Ends For Seismic Applications
- Additional Lengths And Widths Available Upon Request



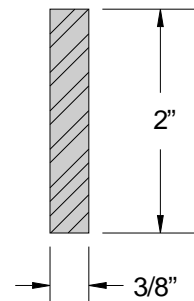
1-1/2" Stringer

Part Number	W	Weight(lbs.)
CR09-05-XX	5"	42.0
CR09-06-XX	6"	43.0
CR09-09-XX	9"	46.0
CR09-12-XX	12"	49.0
CR09-15-XX	15"	51.0
CR09-18-XX	18"	54.0
CR09-20-XX	20"	57.0
CR09-24-XX	24"	60.0
CR09-25-XX	25"	62.0
CR09-30-XX	30"	68.0
CR09-36-XX	36"	74.0



2" Stringer

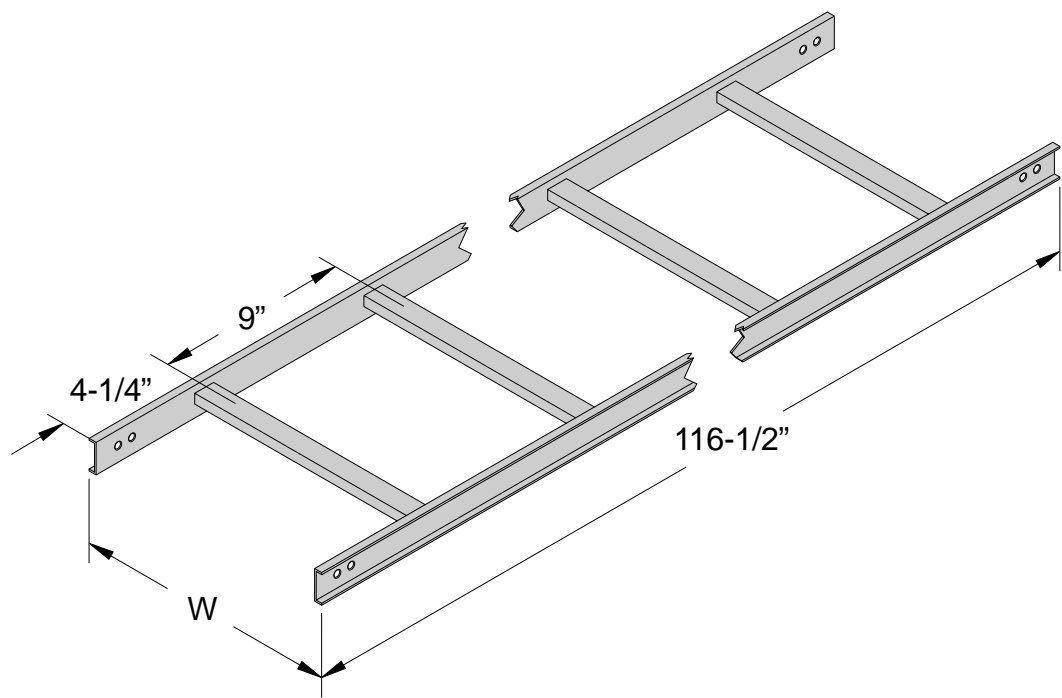
Part Number	W	Weight(lbs.)
CR10-05-XX	5"	55.0
CR10-06-XX	6"	56.0
CR10-09-XX	9"	59.0
CR10-12-XX	12"	62.0
CR10-15-XX	15"	64.0
CR10-18-XX	18"	67.0
CR10-20-XX	20"	70.0
CR10-24-XX	24"	73.0
CR10-25-XX	25"	75.0
CR10-30-XX	30"	81.0
CR10-36-XX	36"	87.0



Cable Rack w/ C-Channel Stringers & Strap Holes

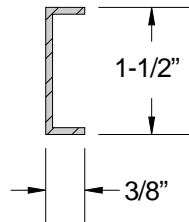
Material	Finish	Notes
<ul style="list-style-type: none"> • 1/2" x 1" Steel Channel Rungs • 3/4" x 1-1/4" Steel Channel Rungs on 25" and Wider • 3/8" Steel Channel Stringer 	<ul style="list-style-type: none"> • GR = Telco Gray • BK = Black • ZY = Zinc and Yellow • OR = Orange • Other Colors Available 	<ul style="list-style-type: none"> • 5/16" Holes Provided On Ends For Ground Strap Connection • Additional Lengths And Widths Available Upon Request

Cable Rack



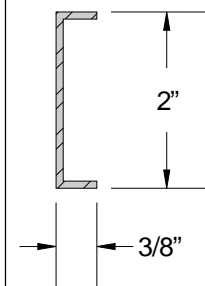
1-1/2" Stringer

Part Number	W	Weight(lbs.)
CR19-05-XX	5"	20.8
CR19-06-XX	6"	21.5
CR19-09-XX	9"	23.7
CR19-12-XX	12"	25.9
CR19-15-XX	15"	28.1
CR19-18-XX	18"	30.4
CR19-20-XX	20"	31.9
CR19-24-XX	24"	34.8
CR19-25-XX	25"	35.5
CR19-30-XX	30"	39.2
CR19-36-XX	36"	43.6



2" Stringer

Part Number	W	Weight(lbs.)
CR20-05-XX	5"	25.5
CR20-06-XX	6"	26.2
CR20-09-XX	9"	28.4
CR20-12-XX	12"	30.6
CR20-15-XX	15"	32.8
CR20-18-XX	18"	35.0
CR20-20-XX	20"	36.5
CR20-24-XX	24"	39.5
CR20-25-XX	25"	41.2
CR20-30-XX	30"	44.8
CR20-36-XX	36"	48.2



Trough Style Cable Rack w/ Junction Holes

Material

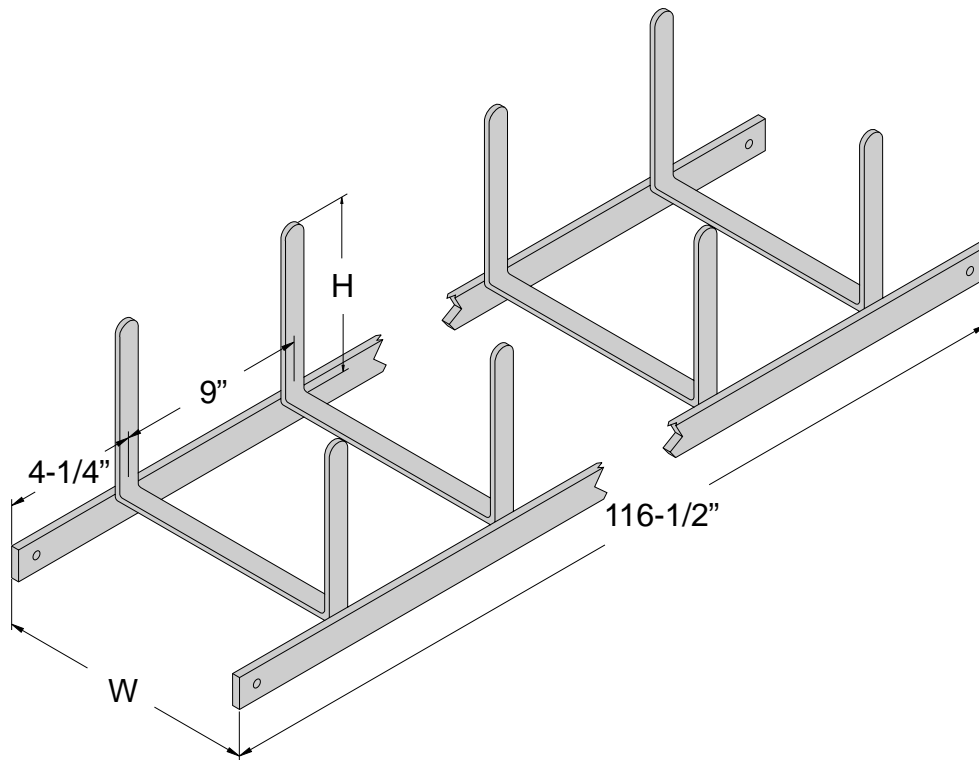
- 1/4" x 1" Steel Trough Rungs
- 3/8" Steel Flat Bar Stringer

Finish

- GR = Telco Gray
- BK = Black
- ZY = Zinc and Yellow
- OR = Orange
- Other Colors Available

Notes

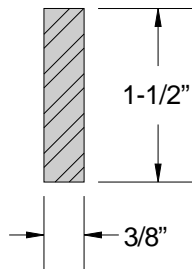
- 7/16" Holes Provided On Ends For Seismic Applications
- Additional Lengths And Widths Available Upon Request



Cable Rack

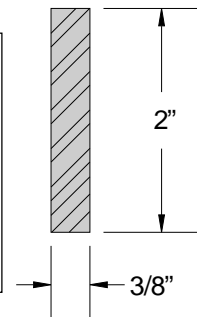
1-1/2" Stringer

Part Number	W	H	Weight(lbs.)
CR21-06-XX	6"	5"	43.0
CR21-09-XX	9"	8"	46.0
CR21-12-XX	12"	8"	49.0
CR21-15-XX	15"	8"	51.0
CR21-18-XX	18"	8"	54.0
CR21-20-XX	20"	8"	57.0
CR21-24-XX	24"	8"	60.0



2" Stringer

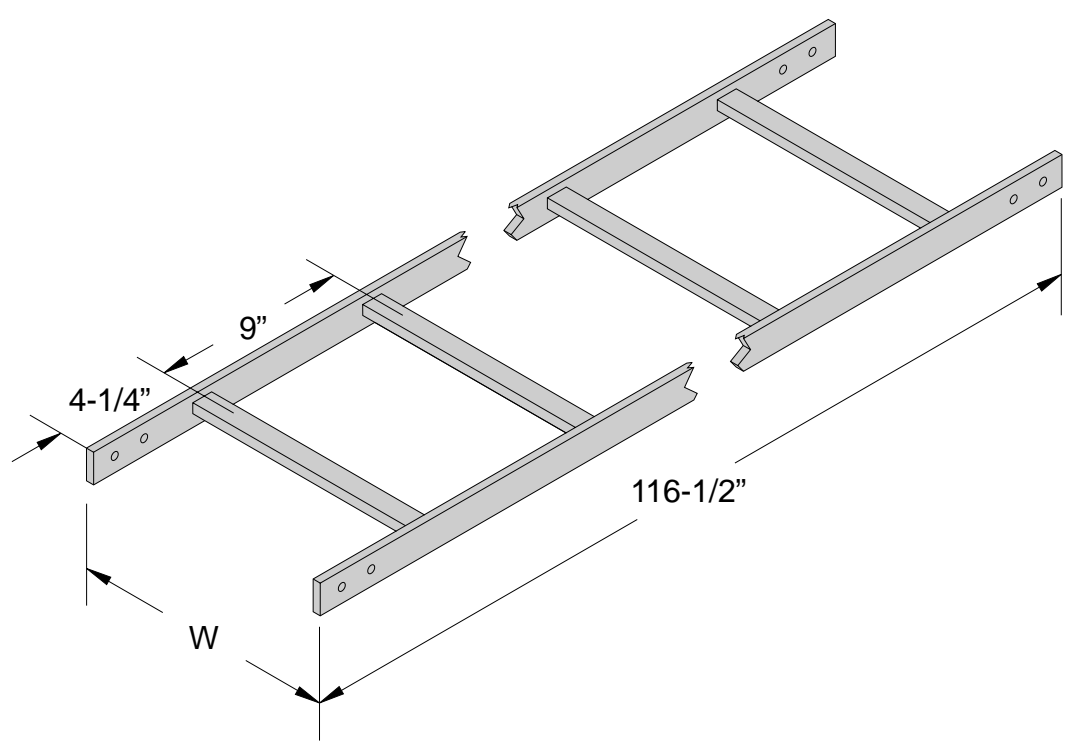
Part Number	W	H	Weight(lbs.)
CR22-06-XX	6"	5"	56.0
CR22-09-XX	9"	8"	59.0
CR22-12-XX	12"	8"	62.0
CR22-15-XX	15"	8"	64.0
CR22-18-XX	18"	8"	67.0
CR22-20-XX	20"	8"	70.0
CR22-24-XX	24"	8"	73.0



Cable Rack with Solid Stringer w/ 2 Junction Holes

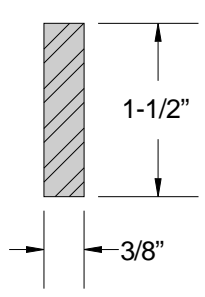
Material	Finish	Notes
<ul style="list-style-type: none"> 1/2" x 1" Steel Channel Welded Rungs 3/4" x 1-1/4" for Steel Channel Rungs on 25" and Wider 3/8" Steel Flat Bar 	<ul style="list-style-type: none"> GR = Telco Gray BK = Black ZY = Zinc and Yellow OR = Orange Other Colors Available 	<ul style="list-style-type: none"> 7/16" Holes Provided On Ends For Seismic Applications Additional Lengths And Widths Available Upon Request

Cable Rack



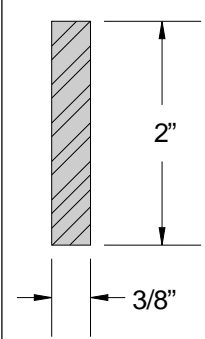
1-1/2" Stringer

Part Number	W	Weight(lbs.)
CR39-05-XX	5"	42.0
CR39-06-XX	6"	43.0
CR39-09-XX	9"	46.0
CR39-12-XX	12"	49.0
CR39-15-XX	15"	51.0
CR39-18-XX	18"	54.0
CR39-20-XX	20"	57.0
CR39-24-XX	24"	60.0
CR39-25-XX	25"	62.0
CR39-30-XX	30"	68.0
CR39-36-XX	36"	74.0



2" Stringer

Part Number	W	Weight(lbs.)
CR49-05-XX	5"	55.0
CR49-06-XX	6"	56.0
CR49-09-XX	9"	59.0
CR49-12-XX	12"	62.0
CR49-15-XX	15"	64.0
CR49-18-XX	18"	67.0
CR49-20-XX	20"	70.0
CR49-24-XX	24"	73.0
CR49-25-XX	25"	75.0
CR49-30-XX	30"	81.0
CR49-36-XX	36"	87.0



Cable Rack Bend Universal Inside/Outside

Material

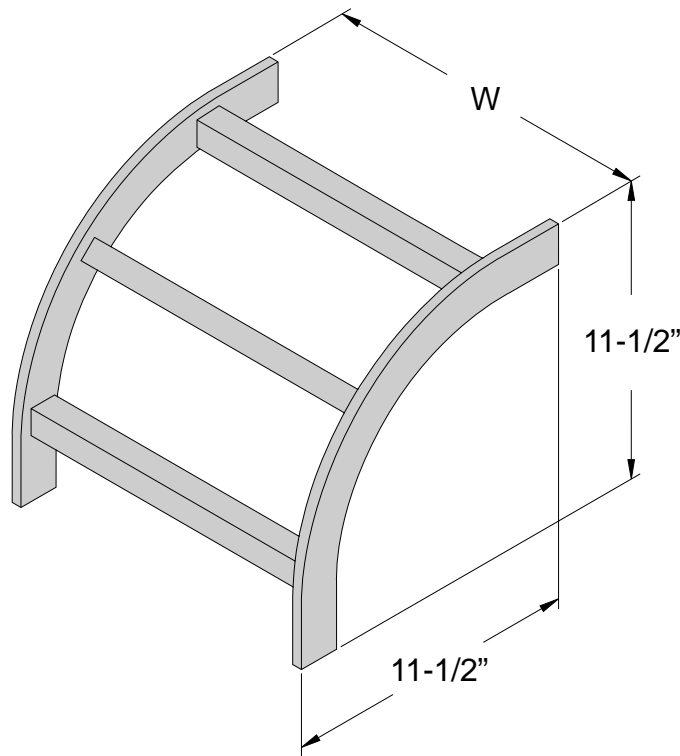
- 3/8" Steel Stringer
- 1" X 1-1/2" Steel Tubing

Finish

- GR = Telco Gray
- BK = Black
- ZY = Zinc and Yellow
- OR = Orange
- Other Colors Available

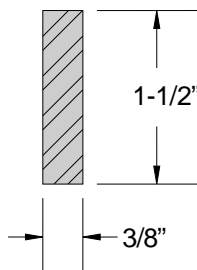
Notes

- For Use With Vertical And Horizontal Cable Rack Transition
- Additional Widths Available Upon Request



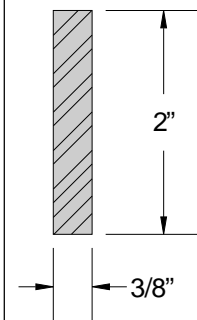
1-1/2" Stringer

Part Number	W	Weight(lbs.)
CR3605-XX	5"	7.6
CR3606-XX	6"	8.0
CR3609-XX	9"	9.2
CR3612-XX	12"	10.7
CR3615-XX	15"	12.1
CR3618-XX	18"	13.8
CR3620-XX	20"	14.6
CR3624-XX	24"	17.6
CR3625-XX	25"	17.9
CR3630-XX	30"	20.0
CR3636-XX	36"	22.4



2" Stringer

Part Number	W	Weight(lbs.)
CR3705-XX	5"	7.8
CR3706-XX	6"	8.2
CR3709-XX	9"	9.4
CR3712-XX	12"	10.9
CR3715-XX	15"	12.3
CR3718-XX	18"	14.0
CR3720-XX	20"	14.8
CR3724-XX	24"	17.8
CR3725-XX	25"	18.0
CR3730-XX	30"	20.2
CR3736-XX	36"	22.6

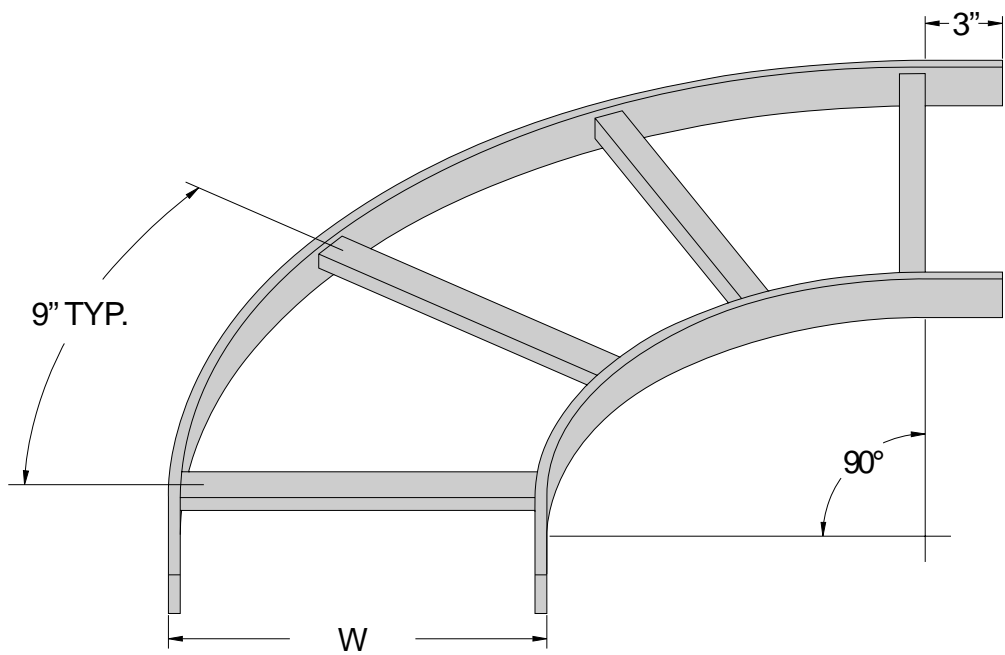


Cable Rack

Cable Rack Bend 90° Horizontal

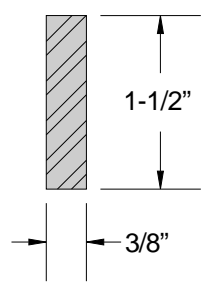
Material	Finish	Notes
<ul style="list-style-type: none"> • 3/8" Steel Stringer • 1/2" x 1" Steel Channel Rungs • 3/4" x 1-1/4" Steel Channel Rungs on 25" and Wider 	<ul style="list-style-type: none"> • GR = Telco Gray • BK = Black • ZY = Zinc and Yellow • OR = Orange • Other Colors Available 	<ul style="list-style-type: none"> • Additional Widths Available Upon Request

Cable Rack



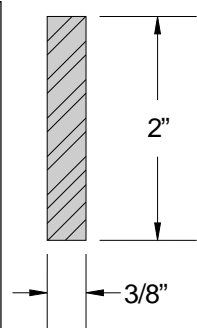
1-1/2" Stringer

Part Number	W	Weight(lbs.)
CR2305-XX	5"	7.6
CR2306-XX	6"	8.0
CR2309-XX	9"	9.2
CR2312-XX	12"	10.7
CR2315-XX	15"	12.1
CR2318-XX	18"	13.8
CR2320-XX	20"	14.6
CR2324-XX	24"	17.6
CR2330-XX	30"	20.0
CR2336-XX	36"	22.4



2" Stringer

Part Number	W	Weight(lbs.)
CR2405-XX	5"	7.8
CR2406-XX	6"	8.2
CR2409-XX	9"	9.4
CR2412-XX	12"	10.9
CR2415-XX	15"	12.3
CR2418-XX	18"	14.0
CR2420-XX	20"	14.8
CR2424-XX	24"	17.8
CR2430-XX	30"	20.2
CR2436-XX	36"	22.6



Cable Rack Pan

Material

- Kydex
- Aluminum

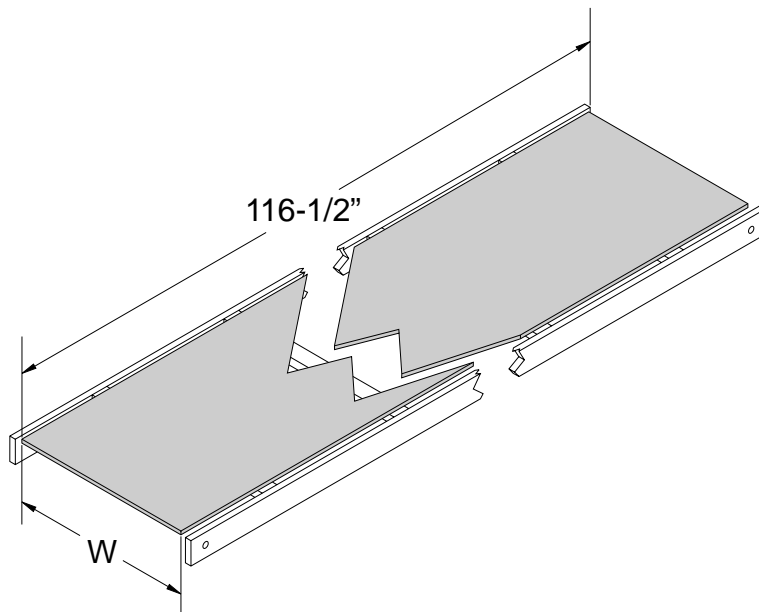
Finish

- GR = Telco Gray
- BK = Black
- OR = Orange
- BA = Brushed Aluminum
- Other Colors Available

Notes

Kydex

- Meets U.L. 94-V-O Flame Resistance
- Aluminum Pan Is Provided With Brushed Finish Unless Otherwise Requested



Kydex Cable Rack Pan

Part Number	Rack	W	Weight(lbs)
CR2005-XX	5"	3-5/8"	.57
CR2006-XX	6"	4-5/8"	.75
CR2009-XX	9"	7-5/8"	1.31
CR2010-XX	10"	8-5/8"	1.56
CR2012-XX	12"	10-5/8"	1.80
CR2015-XX	15"	13-5/8"	2.17
CR2018-XX	18"	16-5/8"	2.63
CR2020-XX	20"	18-5/8"	3.10
CR2022-XX	22"	20-5/8"	3.45
CR2024-XX	24"	22-5/8"	3.94
CR2025-XX	25"	23-5/8"	4.16
CR2030-XX	30"	28-5/8"	5.06
CR2036-XX	36"	34-5/8"	6.18

Aluminum Cable Rack Pan

Part Number	Rack	W	Weight(lbs)
CR2105-XX	5"	3-5/8"	1.27
CR2106-XX	6"	4-5/8"	1.62
CR2109-XX	9"	7-5/8"	2.67
CR2110-XX	10"	8-5/8"	3.24
CR2112-XX	12"	10-5/8"	3.72
CR2115-XX	15"	13-5/8"	4.77
CR2118-XX	18"	16-5/8"	5.82
CR2120-XX	20"	18-5/8"	6.52
CR2122-XX	22"	20-5/8"	7.14
CR2124-XX	24"	22-5/8"	7.92
CR2125-XX	25"	23-5/8"	8.56
CR2130-XX	30"	28-5/8"	10.0
CR2136-XX	36"	34-5/8"	12.1

Pivot Splice Assembly

Material

- Clamp - 11 Gauge
- Hardware - Grade 5

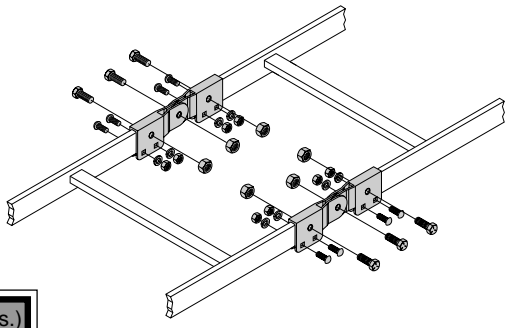
Finish

- Zinc and Yellow

Notes

Contains

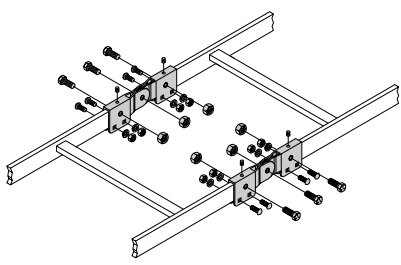
- (2) 3/8" - 16 X 1" Hex Head Cap Screw
- (4) Pivot Splice Bracket, 3/8" - 16 X 1-1/4" Hex Head Cap Screw,
- (6) 3/8" Lock Washer, 3/8" Hex Nut
- (8) 1/4" - 20 X 1" Carriage Bolt, 1/4" Lock Washer, 1/4" Hex Nut
- (4) Knurled Set Screw (CN)



Part Number	Stringer	Weight(lbs.)
CR281	1-1/2"	3.2
CR282	2"	3.4

Half Kit & Double Kit

Part Number	Stringer	Weight(lbs.)
CR281H	1-1/2"	1.6
CR282H	2"	1.7
CR281D	1-1/2"	6.4
CR282D	2"	6.8



Continuity (CN)

Part Number	Stringer	Weight(lbs.)
CR281CN	1-1/2"	3.2
CR282CN	2"	3.4

Cable Support Tube Kit

Material

- Clamp - 11 Gauge
- Hardware - Grade 5
- 1/2" O.D. x 13 Ga. Tubing

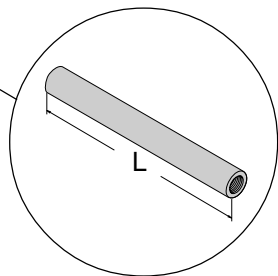
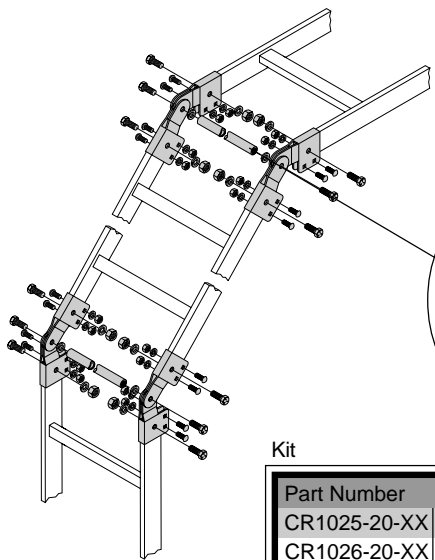
Finish

- GR = Telco Gray
- BK = Black
- ZY = Zinc and Yellow
- OR = Orange
- Other Colors Available

Notes

Contains

- (2) 1/2" X 20" 13 Ga. Tube
- (4) 3/8" - 16 X 1" Hex Head Cap Screw
- (8) Pivot Bracket, 3/8" - 16 X 1-1/4" Hex Head Cap Screw
- (12) 3/8" Lock Washer, 3/8" Hex Nut
- (16) 1/4" - 20 X 1" Carriage Bolt, 1/4" Lock Washer, 1/4" Hex Nut



Kit

Part Number	Stringer	Weight(lbs.)
CR1025-20-XX	3/8" x 1-1/2"	1.4
CR1026-20-XX	3/8" x 2"	1.9

Tube Only

Part Number	L	Rack Size	Weight(lbs.)
CR29-05-XX	4-7/32"	5"	0.1
CR29-06-XX	5-7/32"	6"	0.2
CR29-09-XX	8-7/32"	9"	0.3
CR29-12-XX	11-7/32"	12"	0.4
CR29-15-XX	14-7/32"	15"	0.5
CR29-20-XX	19-7/32"	20"	0.8
CR29-24-XX	23-7/32"	24"	1.0
CR29-30-XX	29-7/32"	30"	1.3
CR29-36-XX	35-7/32"	36"	1.5

“T” Pivot Assembly

Material

- Clamp - 11 Gauge
- Hardware - Grade 5

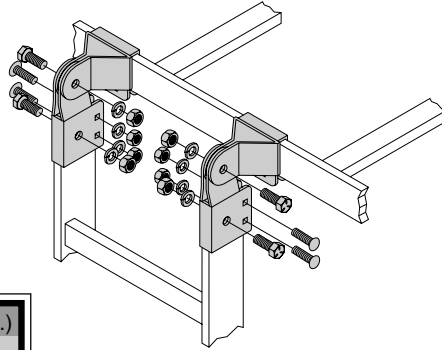
Finish

- Zinc and Yellow

Notes

Contains

- (2) 3/8"-16 X 1-1/8" Hex Head Cap Screw
- (4) Pivot Bracket, 3/8"-16 X 1-1/4" Hex Head Cap Screw
- (6) 3/8" Lock Washer, Hex Nut
- (8) 1/4"-20 X 1" Carriage Bolt, 1/4" Lock Washer, 1/4" Hex Nut
- (4) Knurled Set Screws (CN)

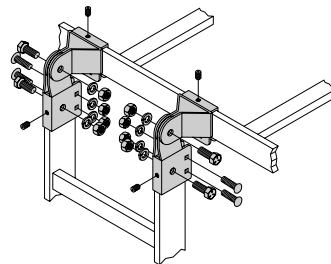


(CN) Continuity

Part Number	Stringer	Weight(lbs.)
CR311CN	3/8" x 1-1/2"	3.4
CR312CN	3/8" x 2"	3.6

Half Kit & Double Kit

Part Number	Stringer	Weight(lbs.)
CR311H	3/8" x 1-1/2"	1.7
CR312H	3/8" x 2"	1.8
CR311D	3/8" x 1-1/2"	6.8
CR312D	3/8" x 2"	7.2



Part Number	Stringer	Weight(lbs.)
CR311	3/8" x 1-1/2"	3.4
CR312	3/8" x 2"	3.6

2" Horizontal to 1-1/2" Vertical Stringer

Part Number	Weight(lbs.)
CR313	3.4

Adjustable Vertical Splice Assembly

Material

- Clamp - 11 Gauge
- Hardware - Grade 5

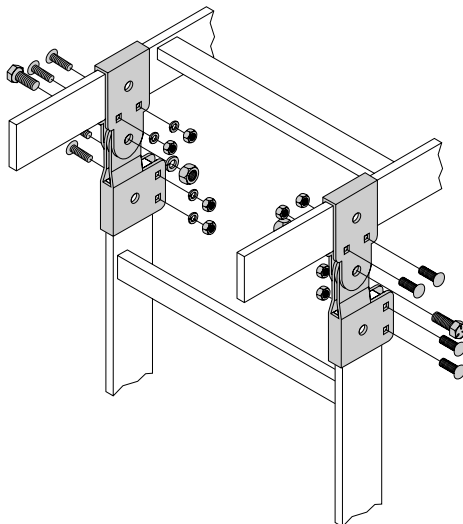
Finish

- Zinc and Yellow

Notes

Contains

- (2) 3/8"-16 X 1" Hex Head Cap Screw, 3/8"-16 X 1-1/4" Hex Head Cap Screw
- (4) Pivot Bracket, 3/8" Lock Washer, 3/8" Hex Nut
- (8) 1/4"-20 X 1" Carriage Bolt, 1/4" Lock Washer, 1/4" Hex Nut



Part Number	Vertical Stringer	Weight(lbs.)
CR1019-01-ZY	3/8" x 1-1/2"	3.4
CR1019-02-ZY	3/8" x 2"	3.4

Splice Kit for Cable Rack

Material

- Clamp - 11 Gauge
- Hardware - Grade 5

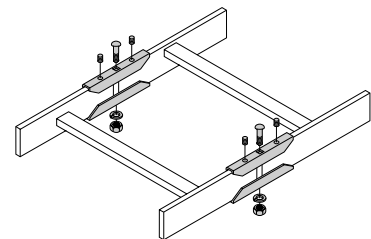
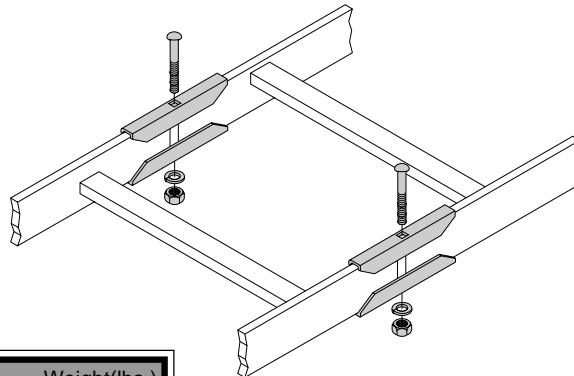
Finish

- Zinc and Yellow

Notes

Contains

- (2) 3/8"-16 X 2-1/4" Carriage Bolt, 3/8" Lock Washer, 3/8" Hex Nut
- (4) Splice Clamp
- (4) Knurled Set Screws (CN)



Part Number	Stringer	Weight(lbs.)
CR251	3/8" x 1-1/2"	1.9
CR252	3/8" x 2"	1.9

Half Kit

Part Number	Stringer	Weight(lbs.)
CR251H	3/8" x 1-1/2"	1.0
CR252H	3/8" x 2"	1.0

(CN) Continuity

Part Number	Stringer	Weight(lbs.)
CR251CN	3/8" x 1-1/2"	2.0
CR252CN	3/8" x 2"	2.0

Splice Kit for Cable Rack with Insulator

Material

- Clamp - 11 Gauge
- Hardware - Grade 5
- Clear Lexan Insulator

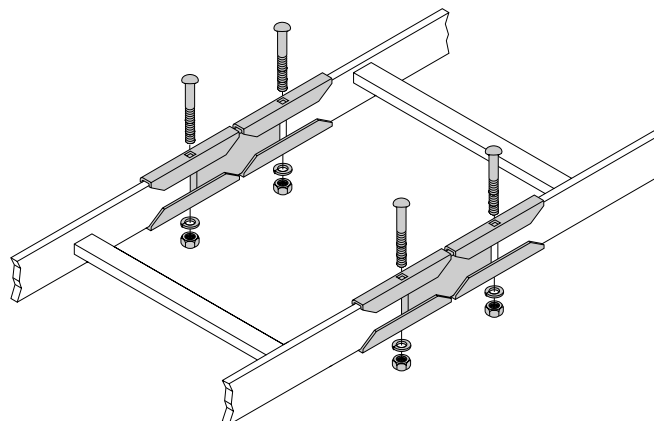
Finish

- Zinc and Yellow

Notes

Contains

- (2) Insulator Block
- (4) 3/8"-16 X 2-1/4" Carriage Bolt, 3/8" Lock Washer, 3/8" Hex Nut
- (8) Splice Clamp
- Clear Lexan is Rated U.L. 94 V-1 with an Oxygen Rating Greater than 29



Part Number	Stringer	Weight(lbs.)
CR251INS	3/8" x 1-1/2"	2.5
CR252INS	3/8" x 2"	2.5

Splice Kit for 1-1/2" to 2" Stringer Transition

Material

- Clamp - 11 Gauge
- Hardware - Grade 5

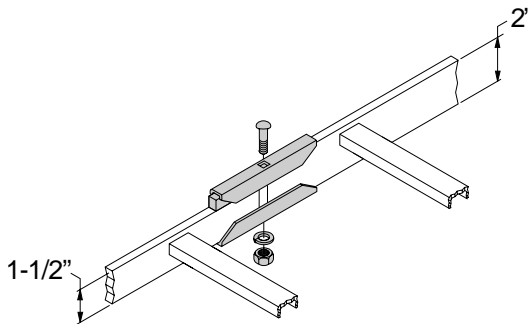
Finish

- Zinc and Yellow

Notes

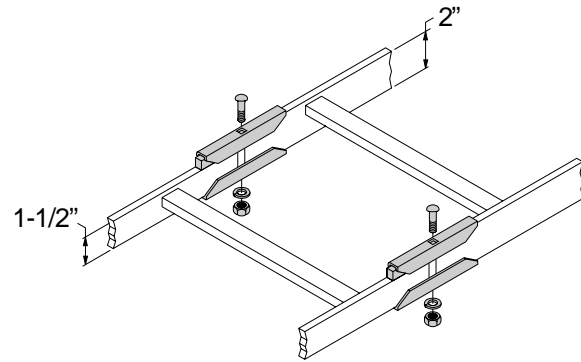
Contains

- (2) 1/2" Wedge, 3/8"-16 X 2-3/4" Carriage Bolt, 3/8" Lock Washer, 3/8" Hex Nut
- (4) Splice Clamp



Half Kit

Part Number	Weight(lbs.)
CR27H	1.0



Part Number	Weight(lbs.)
CR27	2.0

Splice Kit for Dual 1-1/2" Stringer

Material

- Splice - 11 Gauge
- Hardware - Grade 5

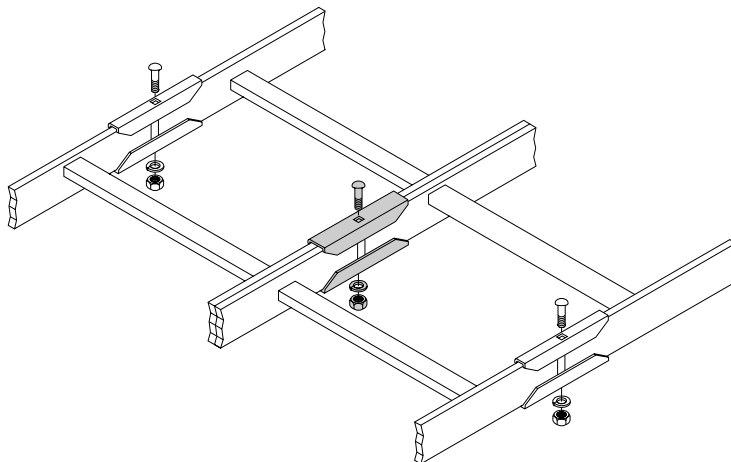
Finish

- Zinc and Yellow

Notes

Contains

- (1) 3/8"-16 X 2-1/4" Carriage Bolt, 3/8" Lock Washer, 3/8" Hex Nut
- (2) Splice Clamp



Part Number	Stringer	Weight(lbs.)
CR255	3/8" x 1-1/2"	0.6
CR256	3/8" x 2"	0.7

Splice Kit (Heavy Duty)

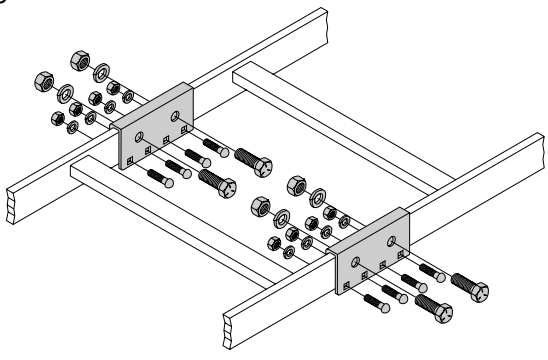
Material	Finish	Notes
----------	--------	-------

- Splice - 11 Gauge
- Hardware - Grade 5

- Zinc and Yellow

Contains

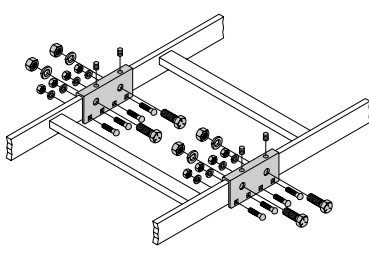
- (2) Splice Bracket
- (4) 3/8"-16 X 1-1/4" Hex Head Cap Screw, 3/8" Lock Washer, 3/8" Hex Nut
- (8) 1/4"-20 X 1" Carriage Bolt, 1/4" Lock Washer, 1/4" Hex Nut
- Typically Used In Seismic Applications



Part Number	Stringer	Weight(lbs.)
CR261	3/8" x 1-1/2"	1.1
CR262	3/8" x 2"	1.1

Half Kit

Part Number	Stringer	Weight(lbs.)
CR261H	3/8" x 1-1/2"	0.6
CR262H	3/8" x 2"	0.6



(CN) Continuity

Part Number	Stringer	Weight(lbs.)
CR261CN	3/8" x 1-1/2"	1.2
CR262CN	3/8" x 2"	1.2

Splice Kit (Seismic)

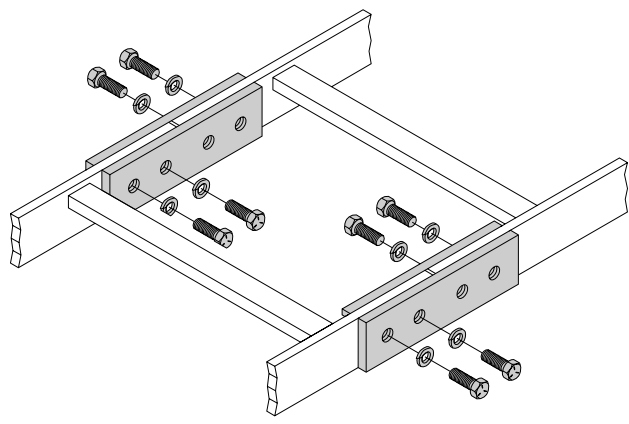
Material	Finish	Notes
----------	--------	-------

- Clamp - 11 Gauge
- Hardware - Grade 5

- GR = Gray
- ZY = Zinc and Yellow

Contains

- (4) Splice Bar
- (8) 3/8"-16 X 1-1/4" Hex Head Cap Screw, 3/8" External Tooth Lock Washer
- Typically Used In Seismic Applications



Part Number	Stringer Size	Weight(lbs.)
CR3001-01-XX	3/8" x 1-1/2"	5.8
CR3001-02-XX	3/8" x 2"	6.6

Corner Brace Kit

Material

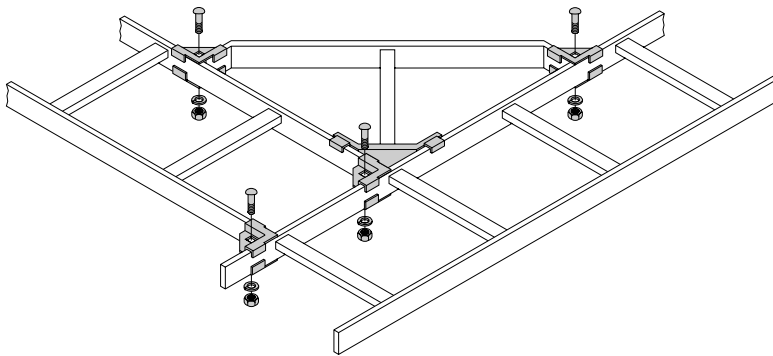
- 3/8" Steel Flat Bar
- 13 Gauge Steel Clamps

Finish

- GR = Telco Gray
- BK = Black
- ZY = Zinc and Yellow
- OR = Orange
- Other Colors Available

Notes

- (1) Corner Brace
- (2) S-Clip
- (4) 3/8"-16 X 2" Carriage Bolt, 3/8" Lock Washer, 3/8" Hex Nut
- (8) Corner Clamp



Part Number	Weight(lbs.)	Stringer
CR304-XX	7.0	1-1/2"
CR3042-XX	8.0	2"

Corner Clamp Kit for Cable Rack "T" Junction

Material

- Clamps - 13 Gauge
- Hardware - Grade 5

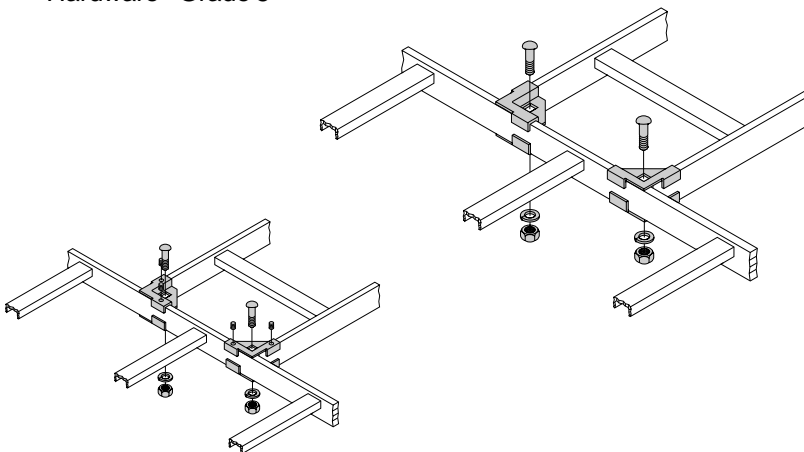
Finish

- Zinc and Yellow

Notes

Contains

- (2) 3/8"-16 X 1-1/2" Carriage Bolt, 3/8" Lock Washer, 3/8" Hex Nut
- (4) Corner Clamp
- (4) Knurled Set Screws (CN)



(CN) Continuity

Part Number	Stringer	Weight(lbs.)
CR301CN	3/8" x 1-1/2"	.80
CR302CN	3/8" x 2"	.80

Part Number	Stringer	Weight(lbs.)
CR301	3/8" x 1-1/2"	0.7
CR302	3/8" x 2"	0.7

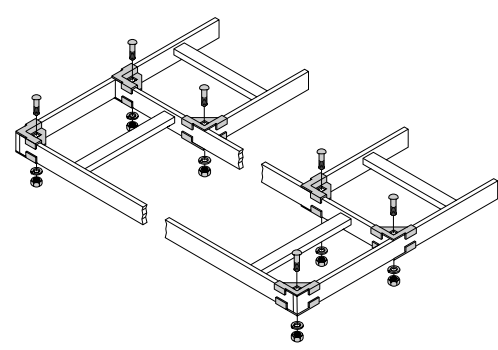
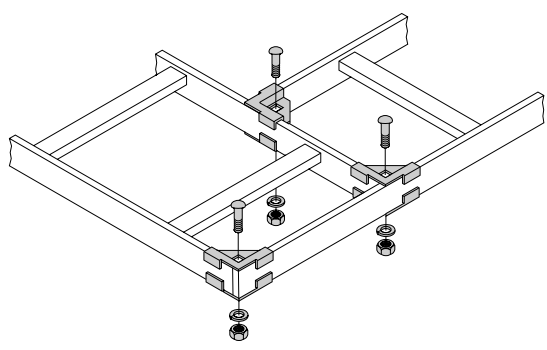
Half Kit & Double Kit

Part Number	Stringer	Weight(lbs.)
CR301H	3/8" x 1-1/2"	0.4
CR302H	3/8" x 2"	0.4
CR301D	3/8" x 1-1/2"	1.4
CR302D	3/8" x 2"	1.4

Corner Clamp Kit for 90° Cable Rack Turn

Material **Finish** **Notes**

- Clamps - 13 Gauge
 - Hardware - Grade 5
 - Zinc and Yellow
- Contains**
- (3) 3/8"-16 X 1-1/2" Carriage Bolt, 3/8" Lock Washer, 3/8" Hex Nut
 - (6) Corner Clamp



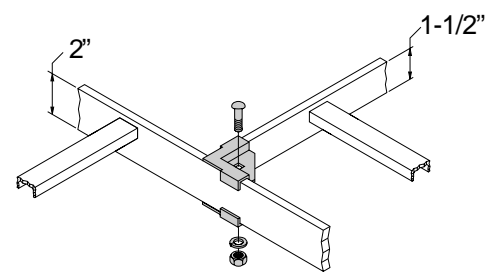
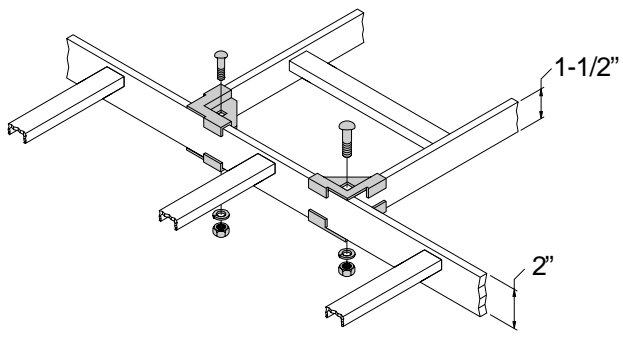
Part Number	Stringer	Weight(lbs.)
CR3061	3/8" x 1-1/2"	0.9
CR3062	3/8" x 2"	0.9

Part Number	Stringer	Weight(lbs.)
CR3061D	3/8" x 1-1/2"	1.8
CR3062D	3/8" x 2"	1.8

Corner Clamp Kit for 1-1/2" to 2" Stringer Transition

Material **Finish** **Notes**

- Clamps - 13 Gauge
 - Hardware - Grade 5
 - Zinc and Yellow
- Contains**
- (2) 3/8"-16 X 2" Carriage Bolt, 3/8" Lock Washer, 3/8" Hex Nut
 - (4) Corner Clamp



Part Number	Weight(lbs.)
CR3012	1.3

Half Kit

Part Number	Weight(lbs.)
CR3012H	0.8

Corner Bracket Kit for Seismic Environment

Material

- Brackets - 3/8" Steel
- Hardware - Grade 5

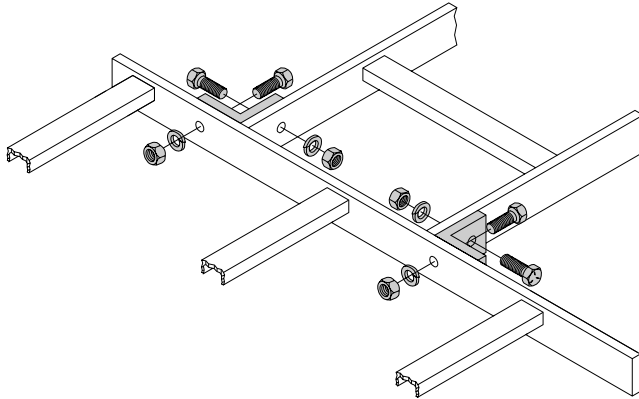
Finish

- Zinc and Yellow

Notes

Contains

- (2) "L" Bracket
- (4) 3/8"-16 X 1-1/2" Hex Head Cap Screw, 3/8" Lock Washer, 3/8" Hex Nut



Part Number	Stringer	Weight(lbs.)
CR3051	3/8" x 1-1/2"	0.9
CR3052	3/8" x 2"	0.9

Slip-On Bracket Kit for 2" Cable Rack

Material

- Brackets - 7 Gauge
- Hardware - Grade 5

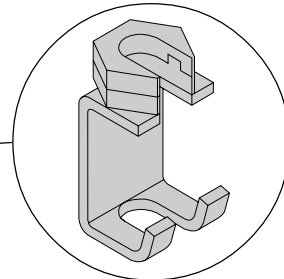
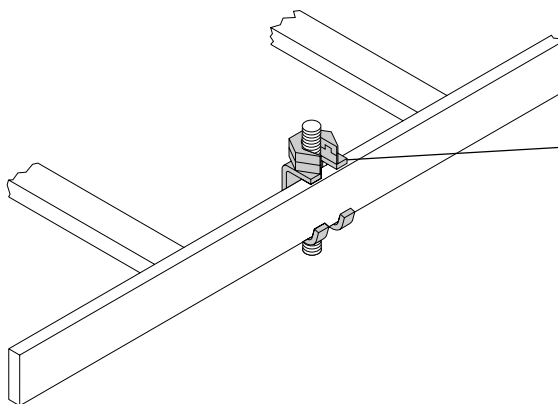
Finish

- Zinc and Yellow

Notes

Contains

- (1) Bracket
5/8" Slip Nut



Part Number	Stringer	Weight(lbs.)
CR1048-04-ZY	3/8" x 2"	0.4

Clamp Kit 45°

Material

- Clamps - 11 Gauge
- Hardware - Grade 5

Finish

- Zinc and Yellow

Notes

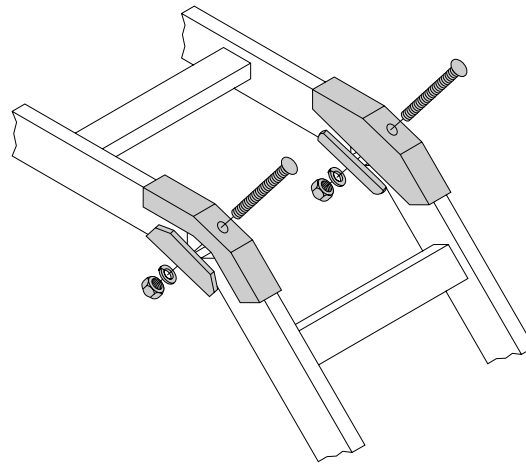
Contains

- (2) 3/8"-16 X 2-3/4" Carriage Bolt, 3/8" Lock Washer, 3/8" Hex Nut
- (4) 45° Clamp

Part Number	Stringer	Weight(lbs.)
CR451	3/8" x 1-1/2"	0.9
CR452	3/8" x 2"	0.9

Double Kit

Part Number	Stringer	Weight(lbs.)
CR451D	3/8" x 1-1/2"	1.8
CR452D	3/8" x 2"	1.8



Clamp Kit 90°

Material

- Clamps - 11 Gauge
- Hardware - Grade 5

Finish

- Zinc and Yellow

Notes

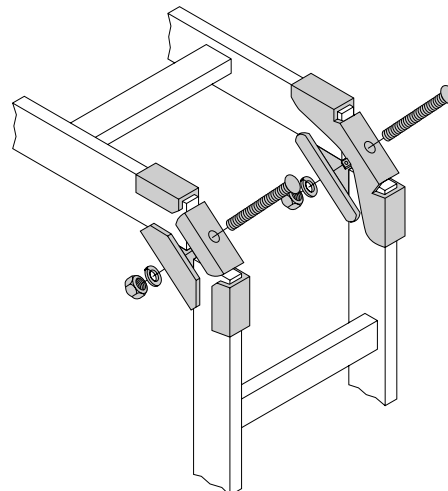
Contains

- (2) 3/8"-16 X 2-1/2" Carriage Bolt, 3/8" Lock Washer, 3/8" Hex Nut
- (4) 90° Clamp

Part Number	Stringer	Weight(lbs.)
CR461	3/8" x 1-1/2"	1.1
CR462	3/8" x 2"	1.1

Double Kit

Part Number	Stringer	Weight(lbs.)
CR461D	3/8" x 1-1/2"	2.2
CR462D	3/8" x 2"	2.2



Hanger Bracket Kit

Material

- Brackets - 7 Gauge
- Hardware - Grade 5

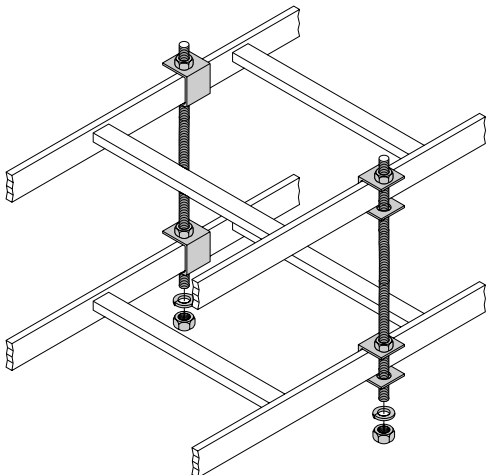
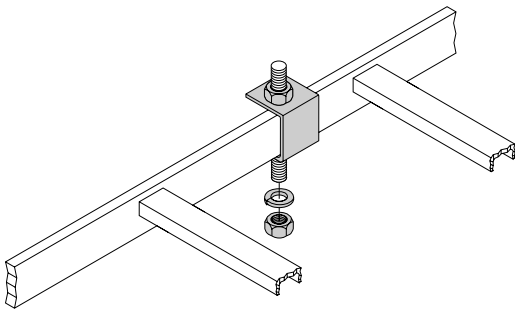
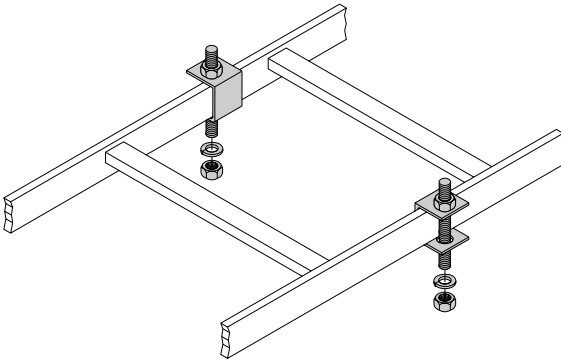
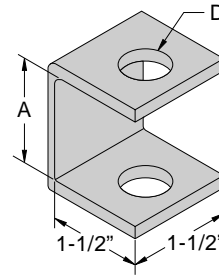
Finish

- Zinc and Yellow

Notes

Contains

- (2) Hanger Bracket, Lockwasher
- (4) Hex Nut



Bracket Only

Part Number	Weight(lbs.)
CRHB121	0.3
CRHB122	0.4
CRHB581	0.3
CRHB582	0.4

Part Number	T. Rod	D	A	Weight(lbs.)
CR50121	1/2"	9/16"	1-17/32"	0.5
CR50122	1/2"	9/16"	2-1/32"	0.6
CR50581	5/8"	11/16"	1-17/32"	0.7
CR50582	5/8"	11/16"	2-1/32"	0.8

Half Kit

Part Number	T. Rod	D	A	Weight(lbs.)
CR50121H	1/2"	9/16"	1-17/32"	0.2
CR50122H	1/2"	9/16"	2-1/32"	0.3
CR50581H	5/8"	11/16"	1-17/32"	0.3
CR50582H	5/8"	11/16"	2-1/32"	0.4

Double Kit

Part Number	T. Rod	D	A	Weight(lbs.)
CR50121D	1/2"	9/16"	1-17/32"	1.0
CR50122D	1/2"	9/16"	2-1/32"	1.2
CR50581D	5/8"	11/16"	1-17/32"	1.4
CR50582D	5/8"	11/16"	2-1/32"	1.6

Hanger Bracket Kit (Slotted)

Material

- Brackets - 7 Gauge
- Hardware - Grade 5

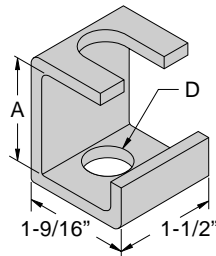
Finish

- Zinc and Yellow

Notes

Contains

- (2) Hanger Bracket, Lockwasher
- (4) Hex Nut



Bracket Only

Part Number	Weight(lbs.)
CRSHB121	0.3
CRSHB122	0.3
CRSHB581	0.3
CRSHB582	0.3

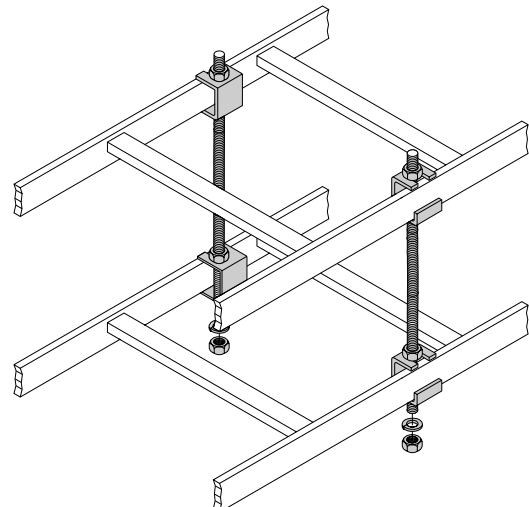
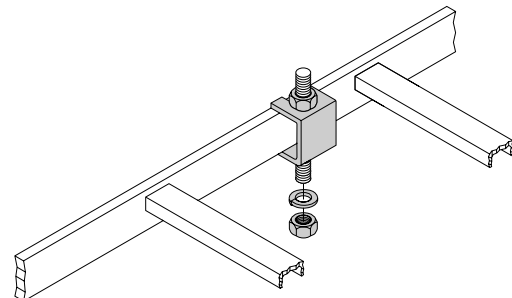
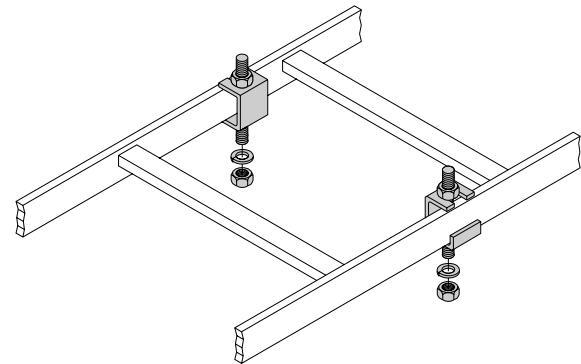
Part Number	T. Rod	D	A	Weight(lbs.)
CR51121	1/2"	9/16"	1-17/32"	0.5
CR51122	1/2"	9/16"	2-1/32"	0.6
CR51581	5/8"	11/16"	1-17/32"	0.7
CR51582	5/8"	11/16"	2-1/32"	0.8

Half Kit

Part Number	T. Rod	D	A	Weight(lbs.)
CR51121H	1/2"	9/16"	1-17/32"	0.2
CR51122H	1/2"	9/16"	2-1/32"	0.3
CR51581H	5/8"	11/16"	1-17/32"	0.3
CR51582H	5/8"	11/16"	2-1/32"	0.4

Double Kit

Part Number	T. Rod	D	A	Weight(lbs.)
CR51121D	1/2"	9/16"	1-17/32"	1.0
CR51122D	1/2"	9/16"	2-1/32"	1.2
CR51581D	5/8"	11/16"	1-17/32"	1.4
CR51582D	5/8"	11/16"	2-1/32"	1.6



Hanger Bracket for Cable Rack Side Bar Support

Material

- Bracket - 3/16" Steel Bar
- Hardware - Grade 5

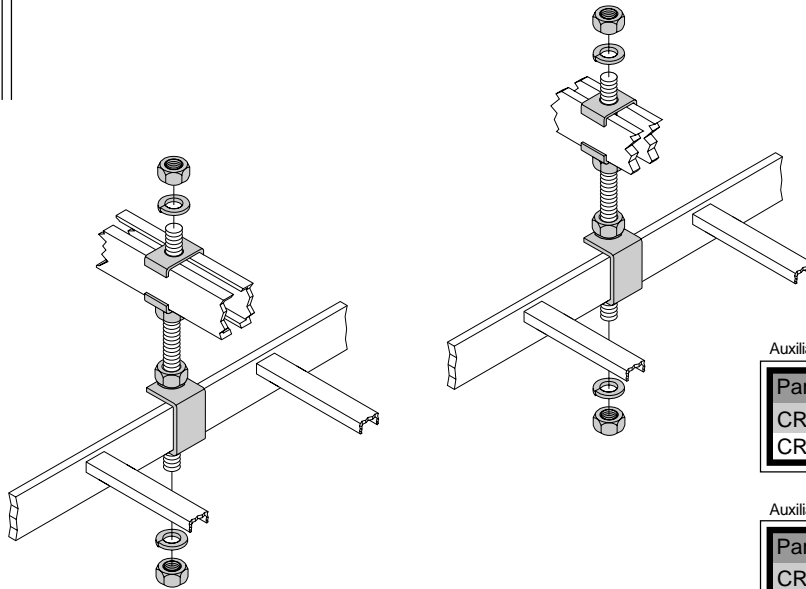
Finish

- ZY = Zinc and Yellow

Notes

Contains

- (1) Hanger Bracket
- (2) Framing Clip
5/8" Lock Washer
- (4) 5/8" Hex Nut



Auxiliary Channel

Part Number	T. Rod	Stringer	Weight(lbs.)
CR1001-03-ZY	5/8"	1-1/2"	1.0
CR1001-04-ZY	5/8"	2"	1.0

Auxiliary Bar

Part Number	T. Rod	Stringer	Weight(lbs.)
CR1001-01-ZY	5/8"	1-1/2"	1.0
CR1001-02-ZY	5/8"	2"	1.0

Cable Rack

Ceiling Hanger Bracket Kit

Material

- Bracket - 1/4" Steel
- Hardware - Grade 5

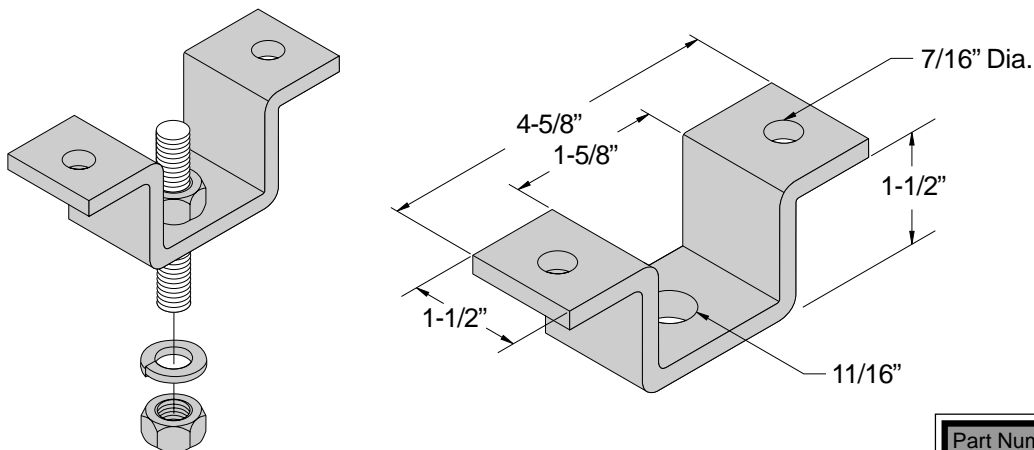
Finish

- Zinc and Yellow

Notes

Contains

- (1) Ceiling Hanger Bracket
- (1) 5/8" Lock Washer
- (2) 5/8" Hex Nut



Part Number	Weight(lbs.)
CR5558	0.9

Bracing Cable Rack from Auxiliary Channel Kit

Material

- Brackets - 1/4 Steel
- Hardware - Grade 5

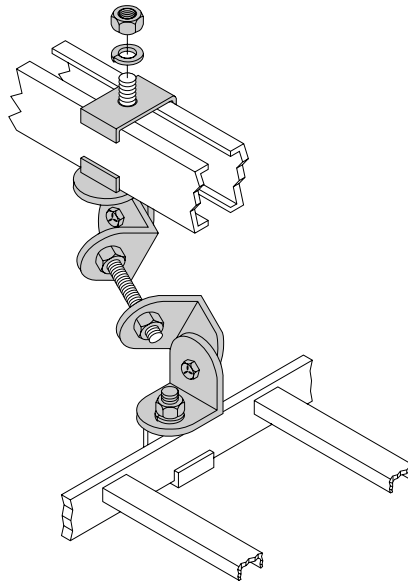
Finish

- Zinc and Yellow

Notes

Contains

- (1) 5/8"-11 X 3-1/4" Hex Head Cap Screw, 5/8" Lock Washer
- (2) Framing Clip, 1/2"-13 X 1-1/4" Hex Head Cap Screw, 1/2" Lock Washer, 1/2" Hex Nut
- (4) Angle Bracket
- (5) 5/8" Hex Nut



Part Number	Weight(lbs.)
CR525	1.3

Cable Rack

Strap Channel Type for Cable Rack

Material

- 11 GA. Steel
- Zinc Cotter Pin

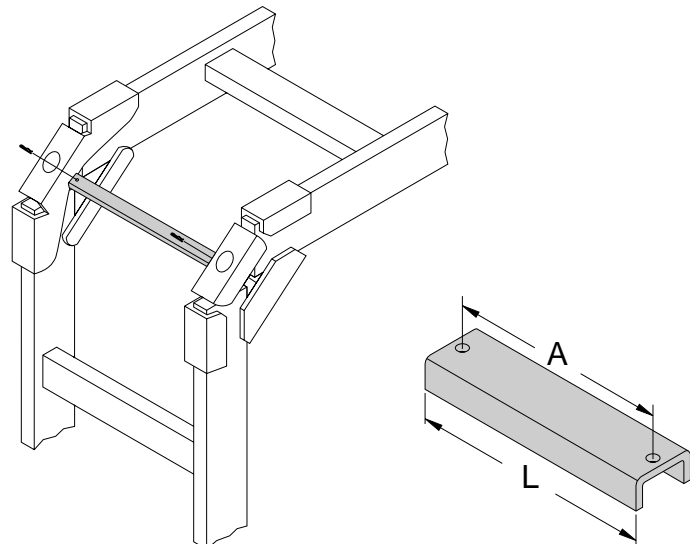
Finish

- GR = Telco Gray
- BK = Black
- ZY = Zinc and Yellow
- Other Colors Available

Notes

Contains

- (1) Strap for Cable Rack
- (2) 3/32" X 7/8" Cotter Pin



Kit

Part Number	Cable Rack Width	Weight(lbs.)
CR76-05-XX	5"	0.2
CR76-06-XX	6"	0.4
CR76-10-XX	10"	0.6
CR76-12-XX	12"	0.8
CR76-15-XX	15"	1.0
CR76-30-XX	30"	1.9

Strap Only

Part Number	A	L	Weight(lbs.)
CRCOM69-05-XX	3-1/2"	3-7/8"	0.1
CRCOM69-06-XX	4-1/2"	4-7/8"	0.4
CRCOM69-10-XX	8-1/2"	8-7/8"	1.0
CRCOM69-15-XX	13-1/2"	13-7/8"	1.4

Clip J-Bolt Kit

Material

- Clip - 11 Gauge
- Hardware - Grade 5

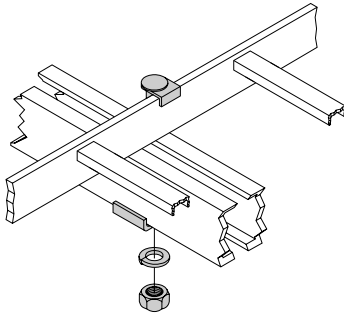
Finish

- Zinc and Yellow

Notes

Contains

- (2) Framing Clip
1/2"-13 X 4-1/2" Clip
J-Bolt,
1/2" Lock Washer,
1/2" Hex Nut



With External Tooth Lockwasher

Part Number	Stringer	Auxiliary Channel	Weight(lbs.)
CR672	2"	2" x 9/16"	1.0

Half Kit

Part Number	Stringer	Auxiliary Channel	Weight(lbs.)
CR651H	1-1/2"	2" x 9/16"	0.5
CR652H	2"	2" x 9/16"	0.5

Part Number	Stringer	Auxiliary Channel	Weight(lbs.)
CR651	1-1/2"	2" x 9/16"	1.0
CR652	2"	2" x 9/16"	1.0

Part Number	Stringer	Auxiliary Bar	Weight(lbs.)
CR631H	1-1/2"	2" x 3/8"	0.5
CR632H	2"	2" x 3/8"	0.5

Part Number	Stringer	Auxiliary Bar	Weight(lbs.)
CR631	1-1/2"	2" x 3/8"	1.0
CR632	2"	2" x 3/8"	1.0

Spanner J-Bolt Kit

Material

- Clip - 11 Gauge
- Hardware - Grade 5

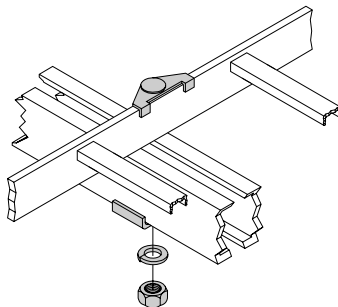
Finish

- Zinc and Yellow

Notes

Contains

- (2) Framing Clip
1/2"-13 X 4-1/2" Spanner
Bolt,
1/2" Lock Washer,
1/2" Hex Nut



With External Tooth Lockwasher

Part Number	Stringer	Auxiliary Channel	Weight(lbs.)
CR682	2"	2" x 9/16"	1.2

Half Kit

Part Number	Stringer	Auxiliary Channel	Weight(lbs.)
CR661H	1-1/2"	2" x 9/16"	0.6
CR662H	2"	2" x 9/16"	0.6

Part Number	Stringer	Auxiliary Channel	Weight(lbs.)
CR661	1-1/2"	2" x 9/16"	1.2
CR662	2"	2" x 9/16"	1.2

Part Number	Stringer	Auxiliary Bar	Weight(lbs.)
CR641H	1-1/2"	2" x 3/8"	0.6
CR642H	2"	2" x 3/8"	0.6

Part Number	Stringer	Auxiliary Bar	Weight(lbs.)
CR641	1-1/2"	2" x 3/8"	1.2
CR642	2"	2" x 3/8"	1.2

Supporting Cable Rack From Cabinet Bracket Kit

Material

- 3/8" x 2" Steel Bar
- Hardware - Grade 5

Finish

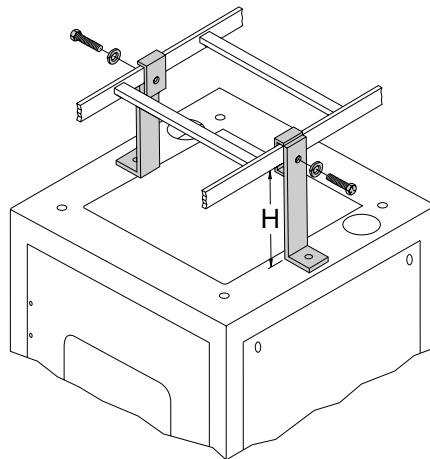
- Zinc and Yellow

Notes

Contains

- (2) "L" Bracket, "U" Bracket
- 1/2"-13 X 1-1/4" Hex Head Cap Screw
- Additional Heights Available Upon Request

Part Number	H	Weight(lbs.)
CR1028-04-XX	4"	1.0
CR1028-06-XX	6"	1.0
CR1028-08-XX	8"	1.0
CR1028-10-XX	10"	1.0
CR1028-12-XX	12"	1.0



Supporting Upper Rack From Lower Cable Rack Kit

Material

- 3/8" x 2" Steel Bar
- Hardware - Grade 5

Finish

- GR = Telco Gray
- BK = Black
- ZY = Zinc and Yellow
- OR = Orange
- Other Colors Available

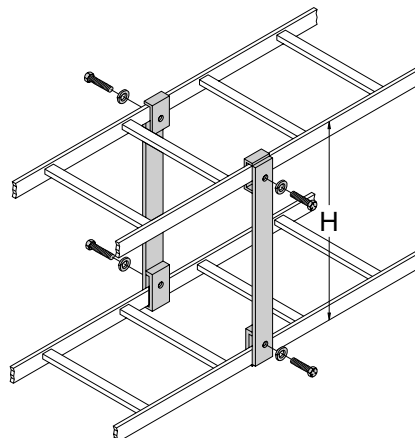
Notes

Contains

- (2) Support Bars
- (4) "U" Bracket
- 1/2"-13 X 1-1/4" Hex Head Cap Screw
- Additional Heights Available Upon Request

For 1-1/2" or 2" Stringer

Part Number	H	Weight(lbs.)
CR73-05-XX	2.5"	4.5
CR73-07-XX	4.5"	5.1
CR73-08-XX	5.5"	5.8
CR73-10-XX	7.5"	6.6
CR73-12-XX	9.5"	7.4
CR73-14-XX	11.5"	8.1
CR73-15-XX	12.5"	8.6
CR73-20-XX	17.5"	10.7



Center Support Bracket Kit

Material

- 1/4" Steel
- Hardware - Grade 5

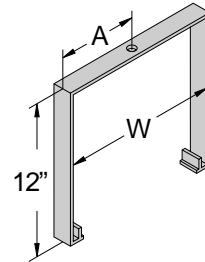
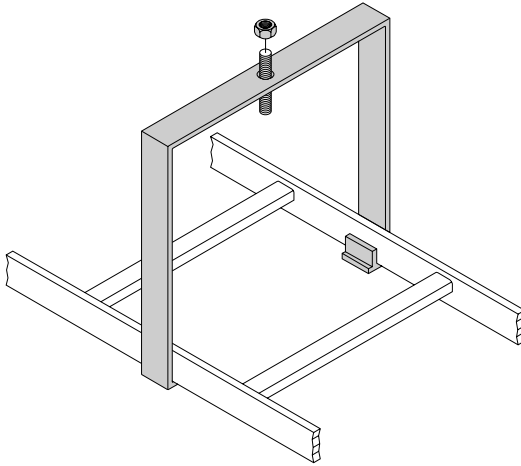
Finish

- GR = Telco Gray
- BK = Black
- ZY = Zinc and Yellow
- OR = Orange
- Other Colors Available

Notes

Contains

- (1) Bracket
- (2) 5/8" Hex Nuts



Part Number	W	A	Weight(lbs.)
CR41-05-XX	5-1/8"	2-13/16"	3.2
CR41-06-XX	6-1/8"	3-13/16"	3.4
CR41-12-XX	12-1/8"	6-13/16"	6.4
CR41-15-XX	15-1/8"	7-13/16"	7.2

Floor Support Bracket Kit

Material

- 1/4" Steel
- Hardware - Grade 5

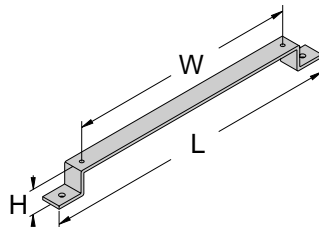
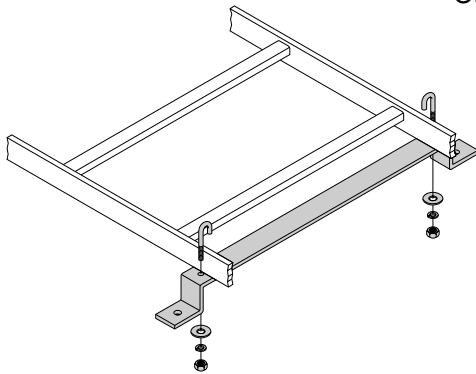
Finish

- GR = Telco Gray
- BK = Black
- ZY = Zinc and Yellow
- OR = Orange
- Other Colors Available

Notes

Contains

- (1) Bracket
- (2) 1/4"-20 X 2-1/4" J-Bolt,
1/4"-20 X 2-3/4" J-Bolt,
1/4" Flat Washer,
1/4" Lock Washer,
1/4" Hex Nut
- Other Sizes Available



Part Number	W	H	L	Weight(lbs.)
CR1002-18-XX	18-3/8"	6"	24"	3.5
CR1002-24-XX	24-3/8"	6"	30"	4.1
CR1003-06-XX	6-3/8"	2"	12"	1.5
CR1003-18-XX	18-3/8"	2"	24"	2.7
CR1003-20-XX	20-3/8"	2"	26"	2.9

Wall Angle Kit to Support Cable Rack

Material

- Bracket - 3/8" Steel Bar
- Hardware - Grade 5
- 3 9/16" x 1" Holes on CRWA15 and Larger

Finish

- GR = Telco Gray
- BK = Black
- ZY = Zinc and Yellow
- OR = Orange
- Other Colors Available

Notes

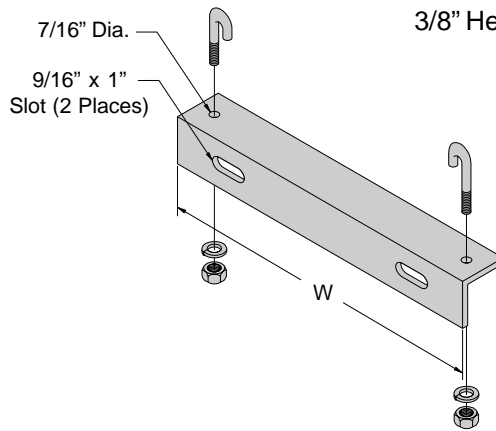
- Hardware Provided To Mount 1-1/2" or 2" Cable Rack

Contains

- (1) Wall Angle
- (2) 3/8"-16 X 2-1/4" J-Bolt, 3/8"-16 X 2-3/4" J-Bolt, 3/8" Lock Washer, 3/8" Hex Nut

For 1-1/2" or 2" Stringer

Part Number	W	Weight(lbs.)
CRWA04-XX	6-7/16"	1.3
CRWA05-XX	7-7/16"	1.5
CRWA06-XX	8-7/16"	1.7
CRWA09-XX	11-7/16"	2.3
CRWA10-XX	12-7/16"	2.5
CRWA12-XX	14-7/16"	2.9
CRWA15-XX	17-7/16"	3.5
CRWA18-XX	20-7/16"	4.1
CRWA20-XX	22-7/16"	4.6
CRWA24-XX	26-7/16"	5.4
CRWA25-XX	27-7/16"	5.6
CRWA30-XX	32-7/16"	5.9
CRWA36-XX	38-7/16"	7.8



Cable Rack

Wall Angle Kit to Support Cable Rack, Multi Use

Material

- Angle - 2"x 2"x 3/16" Steel
- Hardware - Grade 5

Finish

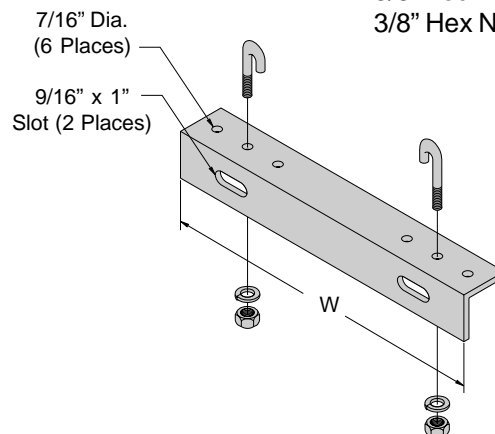
- GR = Telco Gray
- BK = Black
- ZY = Zinc and Yellow
- OR = Orange
- Other Colors Available

Notes

- Hardware Provided To Mount 1-1/2" or 2" Cable Rack

Contains

- (1) Wall Angle
- (2) 3/8"-16 X 2-1/4" J-Bolt, 3/8"-16 X 2-3/4" J-Bolt, 3/8" Lock Washer, 3/8" Hex Nut



Part Number	Cable Rack	W	Weight(lbs.)
CR601-XX	6", 9", 12"	14"	4.0
CR602-XX	15", 18", 24"	26"	7.0

Wall Support Bracket for Cable Rack

Material

- Bracket - 3/8" Steel Bar
- Hardware - Grade 5

Finish

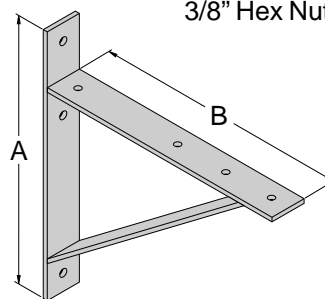
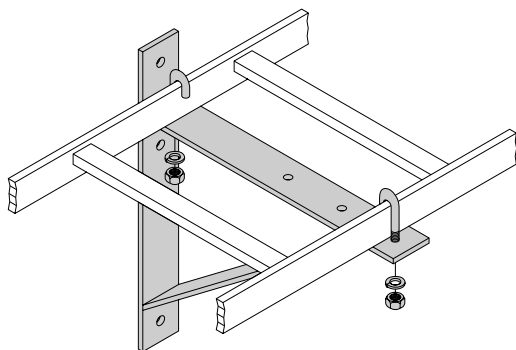
- GR = Telco Gray
- BK = Black
- ZY = Zinc and Yellow
- OR = Orange
- Other Colors Available

Notes

- Hardware provided to mount 1-1/2" or 2" Cable Rack

Contains

- (1) Wall Bracket
- (2) 3/8"-16 X 2-1/4" J-Bolt, 3/8"-16 X 2-3/4" J-Bolt, 3/8" Lock Washer, 3/8" Hex Nut



Part Number	Cable Rack	A	B	Weight(lbs.)
CR561-XX	6", 9", 12"	16-1/2"	14"	7.0
CR562-XX	15", 18", 24"	28-1/4"	26"	10.0

Cable Rack

Cable Pulling Bracket Assembly

Material

- Hook - Zinc
- Hardware - Grade 5
- Washers & Spacers - Aluminum

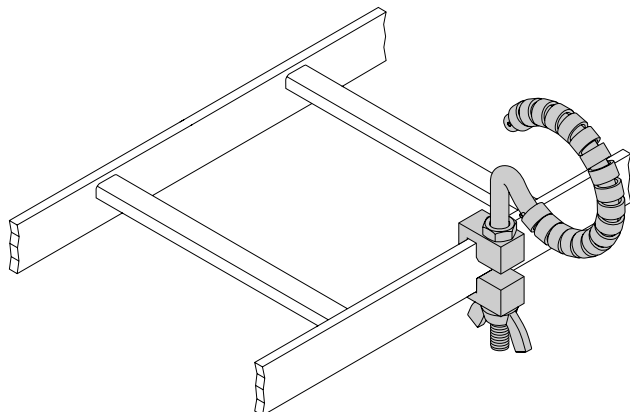
Finish

- BA = Brushed Aluminum

Notes

Contains

- (1) Cable Guide Hook, Cable Guide Spacer, Threaded Cable Guide Spacer, 5/8" Wing Nut, 5/8" Jam Nut
- (2) 1/8" x 3/4" Roll Pin
- (18) Cable Guide Bracket Washer

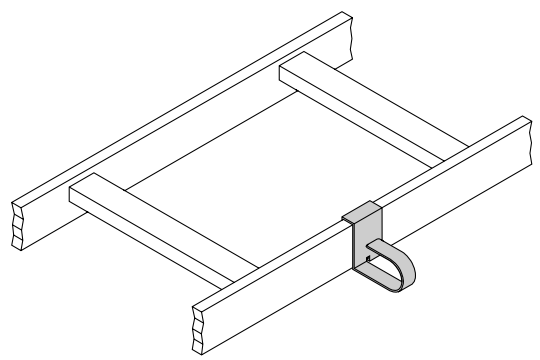
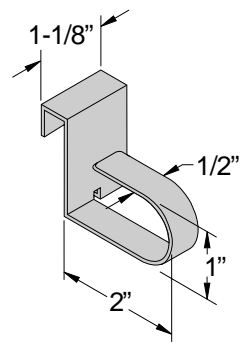


Part Number	Weight(lbs.)
CR1027-01-BA	4.0

Cable Rack Wire Ring

Material **Finish** **Notes**

- Material**
 - 18 Gauge Steel
- Finish**
 - Zinc and Yellow
- Notes**
 - Contains**
 - (1) Cable Ring
 - Other**
 - Clamp Shut After Attaching to Stringer

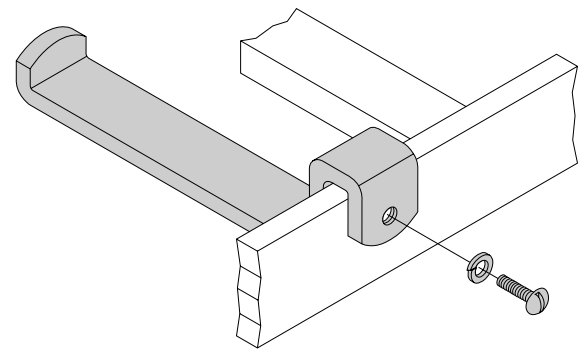
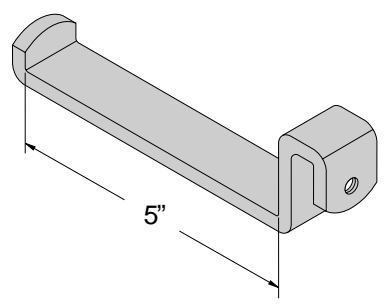


Part Number	Stringer	Weight(lbs.)
CR86-1	3/8" x 1-1/2"	0.1
CR86-2	3/8" x 2"	0.1

Power Cable Bracket Kit (Short)

Material **Finish** **Notes**

- Material**
 - 1" Steel
 - Hardware - Grade 5
- Finish**
 - Zinc and Yellow
- Notes**
 - Contains**
 - (1) Power Cable Bracket, 1/4" X 1/4" Round Head Machine Screw, 1/4" Lock Washer



Part Number	Stringer	Weight(lbs.)
CR321	3/8" x 1-1/2"	0.6
CR322	3/8" x 2"	0.6

Power Cable Bracket Kit (External)

Material

- 1/4" x 1" Steel
- Hardware - Grade 5

Finish

- GR = Telco Gray
- BK = Black
- ZY = Zinc and Yellow
- OR = Orange
- Other Colors Available

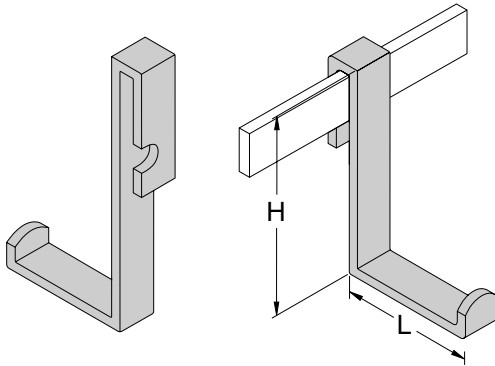
Notes

Contains (2" Stringer)

- (1) Power Cable Bracket

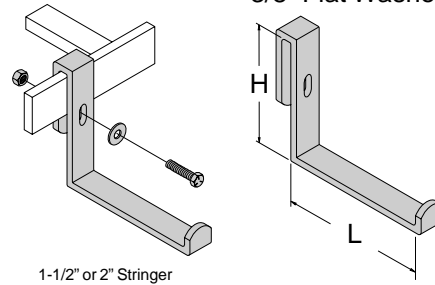
Contains (1-1/2" or 2" Stringer)

- (1) Power Cable Bracket
3/8"-16 X 1" Hex Head Cap Screw,
3/8" Flat Washer



2" Stringer

Part Number	H	L	Weight(lbs.)
CR5022-01-XX	6-1/4"	3-3/8"	1.4
CR5022-02-XX	4-3/8"	6"	1.5



1-1/2" or 2" Stringer

Part Number	H	L	Weight(lbs.)
CR81-XX	4-1/2"	6"	1.0
CR87-XX	8-1/2"	6"	1.0
CR99-XX	5-1/2"	3"	1.0
CR1081-02-XX	8-3/4"	9"	1.0

Cable Rack

Power Cable Bracket Kit (Internal)

Material

- 1/4" x 1" Steel
- Hardware - Grade 5

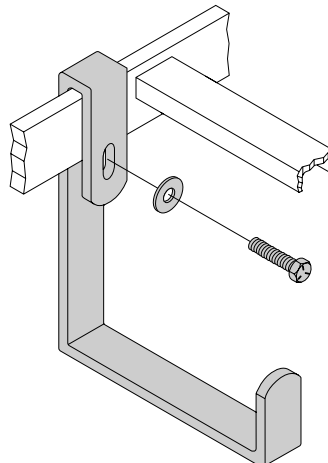
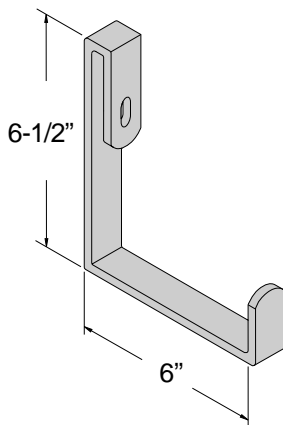
Finish

- GR = Telco Gray
- BK = Black
- ZY = Zinc and Yellow
- OR = Orange
- Other Colors Available

Notes

Contains

- (1) Power Cable Bracket,
3/8"-16 X 1" Hex Head
Cap Screw,
3/8" Flat Washer



1-1/2" or 2" Stringer

Part Number	Weight(lbs.)
CR80-XX	1.0

Overhead Power Cable Bracket Kit

Material

- 1/4" x 1" Steel
- Hardware - Grade 5
- 11 Gauge Steel

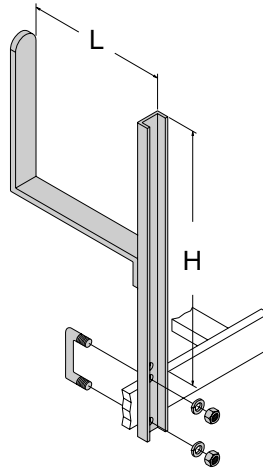
Finish

- GR = Telco Gray
- BK = Black
- ZY = Zinc and Yellow
- OR = Orange
- Other Colors Available

Notes

Contains

- (1) Overhead Bracket, 1/4"-20 X 2" X 3/4" U-Bolt, 1/4"-20 X 1-1/2" X 3/4" U-Bolt
- (2) 1/4" Lock Washer, 1/4" Hex Nut



1-1/2" or 2" Stringer

Part Number	H	L	Weight(lbs.)
CR852-XX	10-1/2"	6"	1.3
CR854-XX	11-1/8"	3-1/4"	1.2

Cable Rack

Overhead Power Cable Bracket Kit (Double)

Material

- 1/4" x 1" Steel
- Hardware - Grade 5
- 11 Gauge Steel

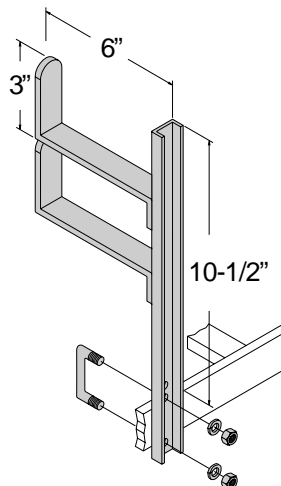
Finish

- GR = Telco Gray
- BK = Black
- ZY = Zinc and Yellow
- OR = Orange
- Other Colors Available

Notes

Contains

- (1) Overhead Bracket, 1/4"-20 X 2" X 3/4" U-Bolt, 1/4"-20 X 1-1/2" X 3/4" U-Bolt
- (2) 1/4" Lock Washer, 1/4" Hex Nut



1-1/2" or 2" Stringer

Part Number	Weight(lbs)
CR853-XX	16.3

Wireform Retainer Kit

Material

- 5/16" Steel Wire
- 11 Gauge Steel

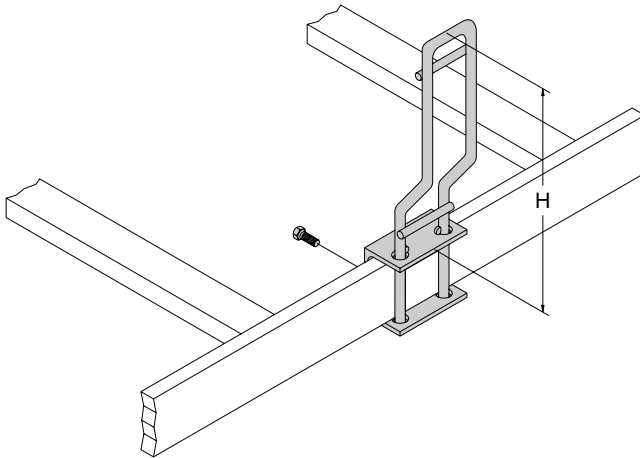
Finish

- Zinc and Yellow

Notes

Contains

- (1) Wireform Retainer, Retainer Bracket, 1/4"-20 X 1/2" Hex Head Cap Screw



Part Number	H	Stringer	Weight(lbs.)
CR90-08-XX	8-1/2"	3/8" x 1-1/2"	.52
CR91-08-XX	8"	3/8" x 2"	.52

Cable Rack

Cable Retainer Kit

Material

- 5/16" Steel Wire
- 11 Gauge Steel

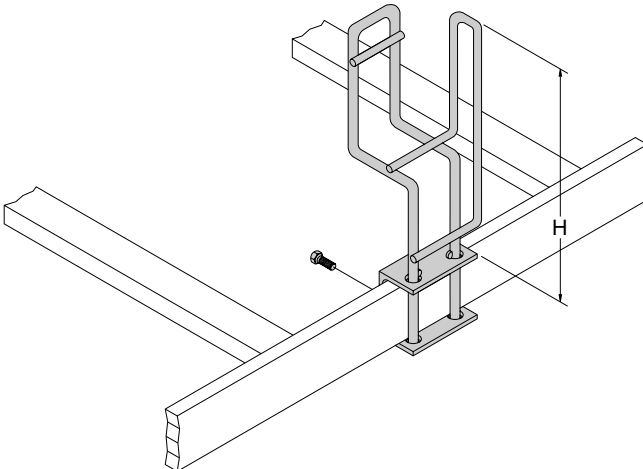
Finish

- Zinc and Yellow

Notes

Contains

- (1) Double Wireform Retainer, Wireform Retainer Bracket, 1/4"-20 X 1/2" Hex Head Cap Screw



Part Number	H	Stringer	Weight(lbs.)
CR97-01-XX	8-1/2"	3/8" x 1-1/2"	1.0
CR97-02-XX	8"	3/8" x 2"	1.0

Floor Angle Kit

Material

- Angle - 3/8" Steel Bar
- Hardware - Grade 5

Finish

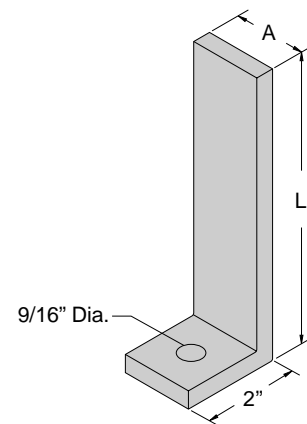
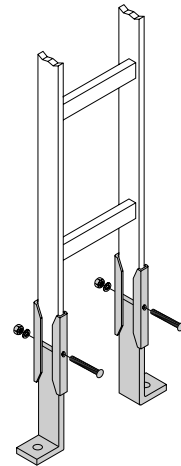
- GR = Telco Gray
- BK = Black
- ZY = Zinc and Yellow
- OR = Orange
- Other Colors Available

Notes

Contains

- (2) "L" Bracket, 3/8"-16 X 2-1/4" Carriage Bolt, 3/8" Lock Washer, 3/8" Hex Nut
- (4) Splice Clamp

Part Number	Stringer	A	L	Weight(lbs.)
CR751-XX	3/8" x 1-1/2"	1-1/2"	6"	3.0
CR752-XX	3/8" x 2"	2"	6"	3.5
CR753-XX	3/8" x 1-1/2"	1-1/2"	3-1/2"	2.5
CR754-XX	3/8" x 2"	2"	3-1/2"	2.9
CR757-XX	3/8" x 1-1/2"	1-1/2"	12"	7.0
CR758-XX	3/8" x 2"	2"	12"	7.5



Wall Clip Kit

Material

- Clip - 7 Gauge

Finish

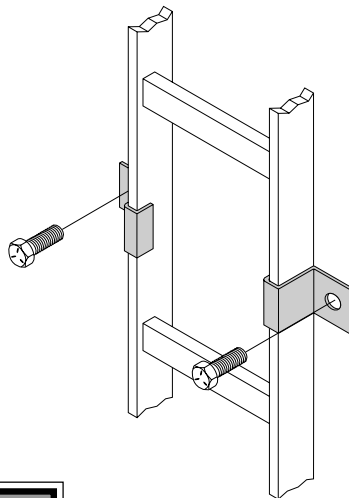
- Zinc and Yellow

Notes

Contains

- (2) Wall clip

Hardware Not Included



Part Number	Stringer	Weight(lbs.)
CR781	3/8" x 1-1/2"	0.9
CR782	3/8" x 2"	0.9

Retaining Post Kit (Flat)

Material

- 1/4" x 1" Steel
- Hardware - Grade 5

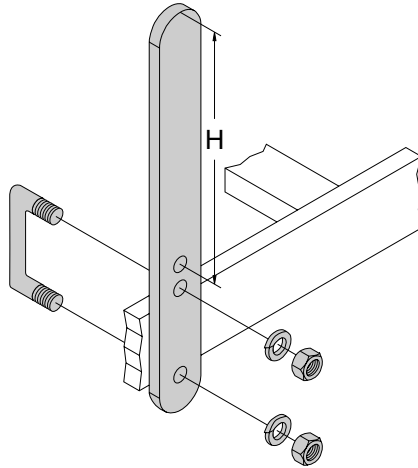
Finish

- GR = Telco Gray
- BK = Black
- ZY = Zinc and Yellow
- OR = Orange
- Other Colors Available

Notes

Contains

- (1) Retaining Post, 1/4"-20 X 1-1/2" X 1" U-Bolt, 1/4"-20 x 2" x 1" U-Bolt
- (2) 1/4" Lock Washer, 1/4" Hex Nut



1-1/2" or 2" Stringer

Part Number	H	Weight(lbs.)
CR83-05-XX	5"	0.6
CR83-06-XX	6"	0.7
CR83-07-XX	7"	0.8
CR83-08-XX	8"	0.9
CR83-09-XX	9"	1.0

Retaining Post Kit (Flat Tubular)

Material

- Steel
- Hardware - Grade 5

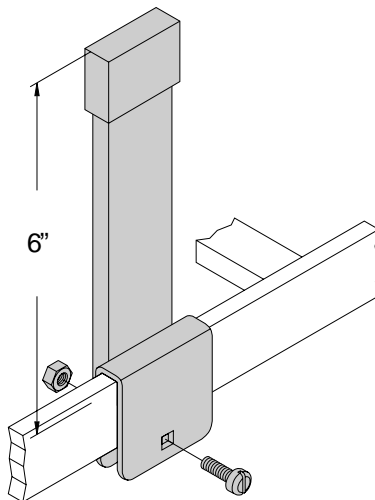
Finish

- GR = Telco Gray
- Other Colors Available

Notes

Contains

- (1) Retaining Post, End Cap, 1/4"-20 X 1" Carriage Bolt, 1/4" Lock Washer, 1/4" Hex Nut



Part Number	Stringer	Weight(lbs.)
CR1031-06-GR	1-1/2"	1.4
CR1032-06-GR	2"	1.5

Retaining Post Kit (Tubular)

Material

- Bracket - 11 Gauge Steel
- Post - Steel Tubing

Finish

- Zinc and Yellow

Notes

Contains

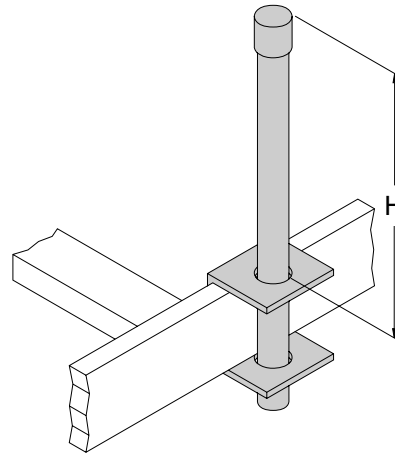
- (1) Retaining Post, Retaining Post Bracket, End Cap

1-1/2" Stringer

Part Number	H	Weight(lbs.)
CR84-05-ZY	5"	0.4
CR84-06-ZY	6"	0.4
CR84-07-ZY	7"	0.4
CR84-08-ZY	8"	0.5
CR84-09-ZY	9"	0.5

2" Stringer

Part Number	H	Weight(lbs.)
CR842-05-ZY	5"	0.5
CR842-06-ZY	6"	0.5
CR842-07-ZY	7"	0.5
CR842-08-ZY	8"	0.6
CR842-09-ZY	9"	0.6



Cable Rack

End Bar Kit

Material

- End Bar - 3/8" Steel Bar
- Hardware - Grade 5
- Clamps - 11 Gauge

Finish

- GR = Telco Gray
- BK = Black
- ZY = Zinc and Yellow
- OR = Orange
- Other Colors Available

Notes

Contains

- (1) End Bar
- (2) 3/8"-16 Carriage Bolt, 3/8" Lock Washer, 3/8" Hex Nut
- (4) Corner Clamp

1-1/2" Stringer

Part Number	W	Weight(lbs.)
CR9105-XX	5"	1.7
CR9106-XX	6"	1.9
CR9109-XX	9"	2.5
CR9112-XX	12"	3.2
CR9115-XX	15"	3.8
CR9118-XX	18"	4.4
CR9120-XX	20"	4.8
CR9124-XX	24"	5.7
CR9125-XX	25"	6.1
CR9130-XX	30"	6.9
CR9136-XX	36"	8.1

2" Stringer

Part Number	W	Weight(lbs.)
CR9205-XX	5"	1.8
CR9206-XX	6"	2.2
CR9209-XX	9"	2.8
CR9212-XX	12"	3.5
CR9215-XX	15"	4.0
CR9218-XX	18"	4.7
CR9220-XX	20"	5.1
CR9224-XX	24"	6.0
CR9225-XX	25"	6.3
CR9230-XX	30"	7.2
CR9236-XX	36"	8.4

