

Auxiliary Framing

Contents

Auxiliary Framing Channel	3
Auxiliary Framing Channel 1" x 2"	4
Auxiliary Framing Bar	4
Auxiliary Framing Angle With Attachment Holes	5
Wall Anlge Attachment Kit For Auxiliary Framing	5
Wall Anlge Support Kit For Auxiliary Channel (Friction)	6
Wall Anlge Support Kit For Auxiliary Channel (Seismic)	6
Wall Anlge For Auxiliary Channel With Isolation Bushings	7
Auxiliary Framing Clip Kit With Bolt	7
Double Framing Clip Kit With Bolt	8
Auxiliary Framing Splice Kit (Friction)	8
Auxiliary Channel Splice Kit With Block (Seismic)	9
Auxiliary Channel Splice Kit With Plates (Seismic)	9
Auxiliary Channel Splice Kit (Internal) Or (External)	10
Anti-Slip Kit For Cable Rack To Auxiliary Channel	10
Splice Kit For 1" x 2" Channel	11
"T" Junction And "X" Junction Kit (Seismic)	11
Junction Kit For Auxiliary Framing With 3 Hole Plates	12
Junction Kit For Auxiliary Framing With 5 Hole Plates	12
Intersection Kit For 1" x 2" Auxiliary Channel	13
Crossover Kit For 1" x 2" Auxiliary Channel	13
Auxiliary Framing Clip Kit	14
Double Framing Clip Kit For Threaded Rod	14
J-Bolt Plate Kit For 1" x 2" Channel To Cable Rack	15
J-Bolt Plate Kit For 1" x 2" Channel And C.R. To E.R.	15
J-Bolt Plate Kit For 1" x 2" Channel To 1" Top Bar	16
J-Bolt Plate Kit For 1" x 2" Channel To Top Angle	16
V-Bolt Plate Kit For 1" x 2" Channel To Top Angle	17
V-Bolt Plate Kit For Pipe To 2" Top Angle	17
V-Bolt Kit For Auxiliary Channel To Top Angle	18
V-Bolt Plate Kit For Auxiliary Channel From Top Angle	18
V-Bolt Kit, Attach Auxiliary Channel To Top Angle	19
Frame Support Kit From Auxiliary Framing	19
Support Kit For Auxiliary Framing From Top Angle With Spacer	20

Auxiliary Framing

Contents (Continued)

Support Kit For Equipment Rack From Auxiliary Framing	20
Support Kit For Auxiliary Channel From Ceiling	21
Swivel Bracket Kit For Threaded Rod Suspension	21
Angle Brace Kit	22
Double Hole Angle Brace Kit	22
Double Angle Brace Kit	23
Auxiliary Channel To Cable Rack Brace Kit	23
Pipe Stand Kit With Cap And Flange	24
Pipe Stand Kit	25
Universal Pipe Stand Kit	26
Pipe Stand Kit For Supporting Auxiliary Channel	27
Floor Mounting Kit For AUX91	28
Floor Mounting Kit For AUX80	28
Stanchion Kit 3" And 5"	29
Angle Column Stand	30
Auxiliary Framing Clip And Bracket Kit With Bolt	31
Power Cable Bracket Kit For Auxiliary Channel	31
Rubber End Cap	32

Auxiliary Framing Channel

Material

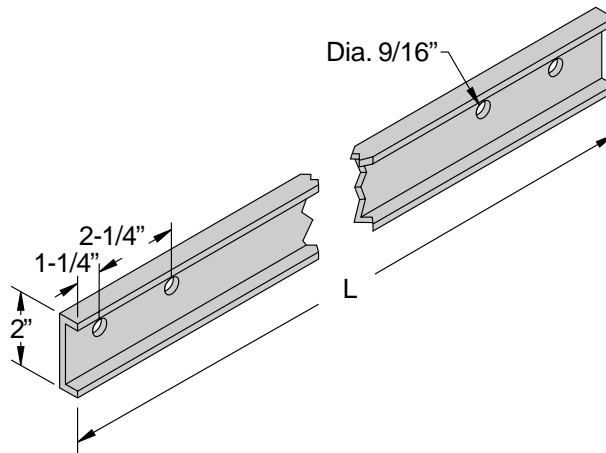
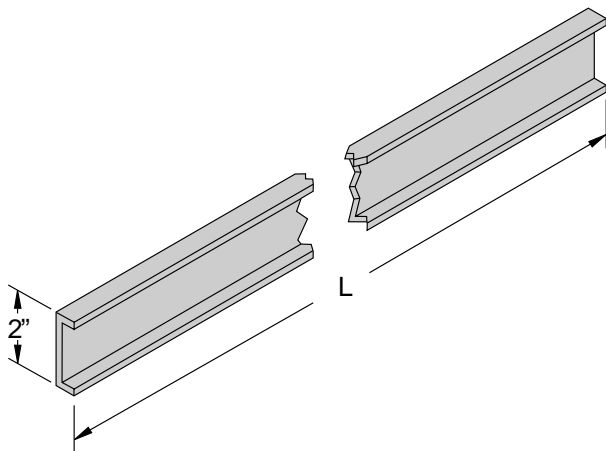
- 2" x 9/16" x 3/16" Steel Channel

Finish

- GR = Telco Gray
- BK = Black
- BR = Brown
- Other Colors Available

Notes

- Normally used in pairs
- Other Lengths Available Upon Request



Without Junction Holes

Part Number	L	Weight(lbs.)
AUX04-02-XX	2'	3.5
AUX04-04-XX	4'	7.0
AUX04-06-XX	6'	10.5
AUX04-08-XX	8'	14.0
AUX04-10-XX	10'	17.6
AUX04-12-XX	12'	21.1
AUX04-14-XX	14'	24.6
AUX04-16-XX	16'	28.1
AUX04-18-XX	18'	31.6
AUX04-20-XX	20'	35.2

With Junction Holes

Part Number	L	Weight(lbs.)
AUX01-02-XX	2'	3.3
AUX01-04-XX	4'	6.8
AUX01-06-XX	6'	10.4
AUX01-08-XX	8'	13.8
AUX01-10-XX	10'	17.4
AUX01-12-XX	12'	19.9
AUX01-14-XX	14'	24.4
AUX01-16-XX	16'	27.8
AUX01-18-XX	18'	31.4
AUX01-20-XX	20'	35.0

Auxiliary Framing

Auxiliary Framing Channel 1" x 2"

Material

- 2" x 1" x 3/16" Steel Channel

Finish

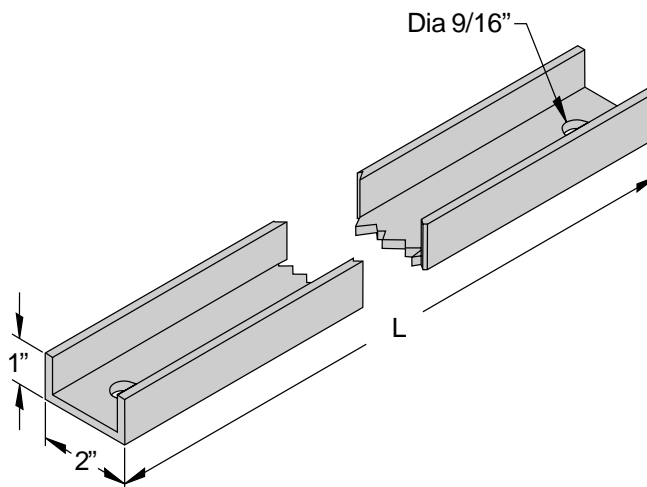
- GR = Telco Gray
- BK = Black
- BR = Brown
- Other Colors Available

Notes

- Other Lengths Available Upon Request

With Junction Holes

Part Number	L	Weight(lbs.)
AUX12-02-XX	2'	4.7
AUX12-04-XX	4'	9.4
AUX12-05-XX	5'	11.5
AUX12-06-XX	6'	14.1
AUX12-08-XX	8'	18.8
AUX12-10-XX	10'	23.5
AUX12-12-XX	12'	28.2
AUX12-14-XX	14'	32.9
AUX12-20-XX	20'	47.0



Auxiliary Framing Bar

Material

- 3/8" x 2" Steel Bar

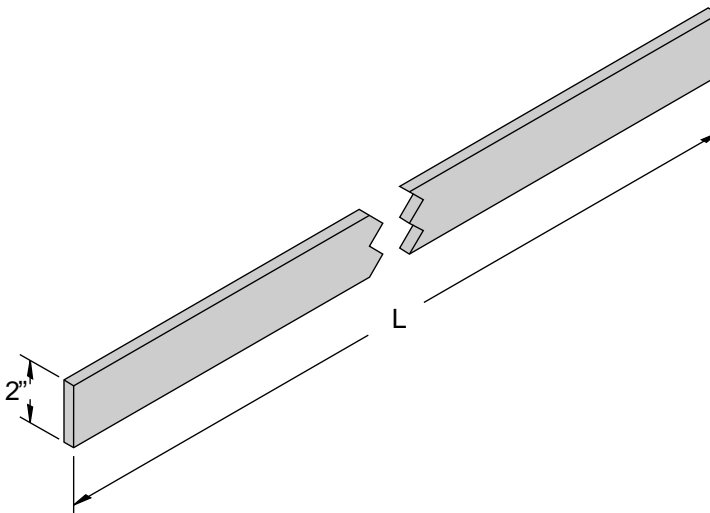
Finish

- GR = Telco Gray
- BK = Black
- BR = Brown
- Other Colors Available

Notes

- Normally used in pairs
- Other Lengths Available Upon Request

Part Number	L	Weight(lbs.)
AUX06-02-XX	2'	2.5
AUX06-04-XX	4'	6.0
AUX06-06-XX	6'	9.5
AUX06-08-XX	8'	13.0
AUX06-10-XX	10'	16.5
AUX06-12-XX	12'	20.0
AUX06-14-XX	14'	23.5
AUX06-16-XX	16'	27.0
AUX06-18-XX	18'	30.5
AUX06-20-XX	20'	34.1



Auxiliary Framing



Auxiliary Framing Angle with Attachment Holes

Material

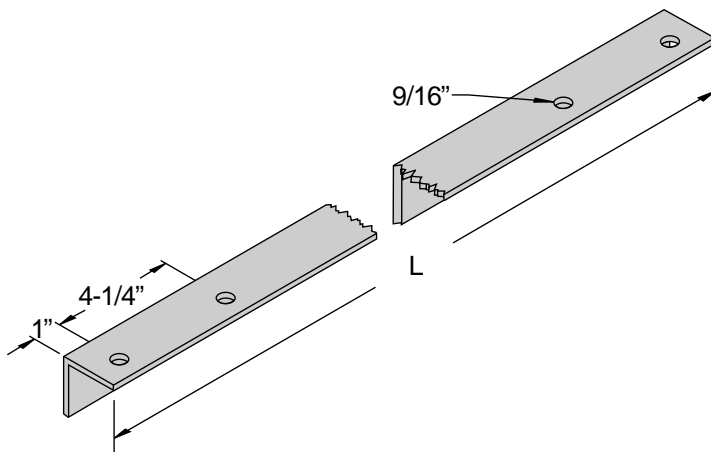
- 2"x 2"x 3/16" Steel Angle

Finish

- GR = Telco Gray
- BK = Black
- BR = Brown
- Other Colors Available

Notes

- Typically used in conjunction with AUX7058 and AUX7558 kits in bracing applications.
- Other Sizes Available



Part Number	L	Weight(lbs.)
AUX05-02-XX	2'	3.6
AUX05-04-XX	4'	7.2
AUX05-06-XX	6'	10.8
AUX05-08-XX	8'	14.4
AUX05-10-XX	10'	18.0
AUX05-12-XX	12'	21.0
AUX05-20-XX	20'	33.0

Auxiliary Framing

Wall Angle Attachment Kit for Auxiliary Framing

Material

- Clip - 11 Gauge Steel
- Hardware - Grade 5
- Used to Attach Auxiliary Channel to Wall Angle

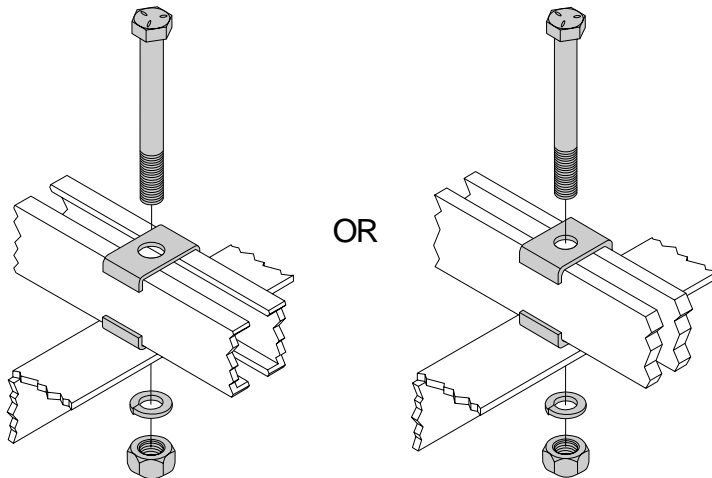
Finish

- Zinc and Yellow

Notes

Contains

- (1) 5/8"-11 X 3-1/2" Hex Head Cap Screw, 5/8" Lock Washer, 5/8" Hex Nut
- (2) Framing Clip



Auxiliary Channel

Part Number	Weight(lbs.)
AUX56	2.4

Auxiliary Bar

Part Number	Weight(lbs.)
AUX56BR	2.4

Wall Angle Support Kit for Aux. Channel (Friction)

Material

- Clip - 11 Gauge Steel
- Hardware - Grade 5
- Used to Attach Auxiliary Channel to Wall

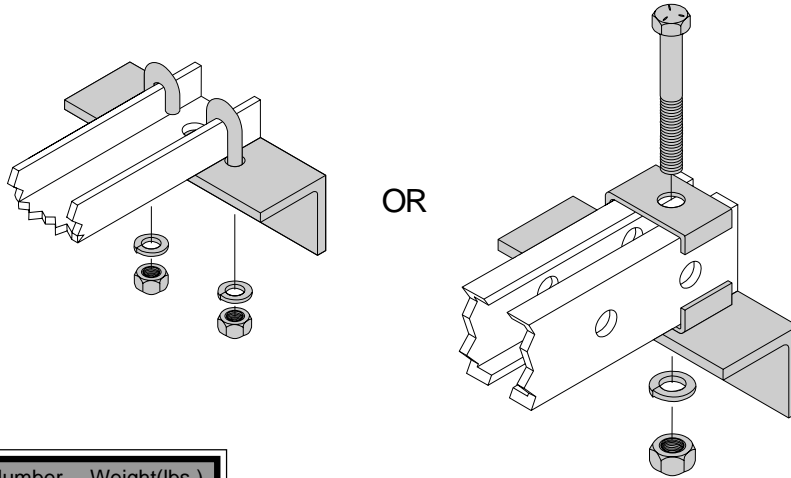
Finish

- GR = Telco Gray
- ZY = Zinc and Yellow
- Other Colors Available

Notes

Contains

- (1) Angle
- (2) Framing Clip
- (1) 1/2"-13 X 3-3/4" Hex Head Cap Screw, 1/2" Lock Washer, 1/2" Hex Nut
- (2) 3/8"-16 X 2-1/4" J-Bolt, 3/8" Lock Washer, 3/8" Hex Nut



Part Number	Weight(lbs.)
AUX60-XX	2.4

Wall Angle Support Kit for Aux. Channel (Seismic)

Material

- Angle - 1/4" & 5/8" Steel
- Hardware - Grade 5
- Used to attach Auxiliary Channel to wall.

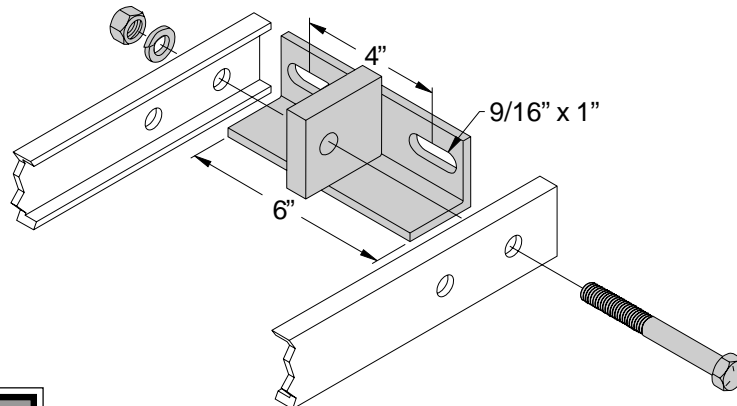
Finish

- GR = Telco Gray
- ZY = Zinc and Yellow
- Other Colors Available

Notes

Contains

- (1) Wall Angle Support
- (1) 1/2"-13 X 2-1/2" Hex Head Cap Screw, 1/2" Lock Washer, 1/2" Hex Nut



Part Number	Weight(lbs.)
AUX30-XX	2.5

Auxiliary Framing



Wall Angle for Aux. Channel with Isolation Bushings

Material

- Angle - 1/4" & 5/8" Steel
- Hardware - Grade 5

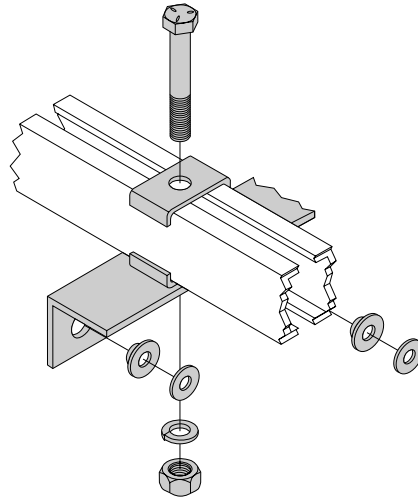
Finish

- GR = Telco Gray
- ZY = Zinc and Yellow
- Other Colors Available

Notes

Contains

- (1) Wall Angle, 1/2"-13 X 3-1/4" Hex Head Cap Screw, 1/2" Lock Washer, 1/2" Hex Nut
- (2) Framing Clip, Insulating Bushing, 5/16" Flat Washer



Part Number	Weight(lbs.)
AUX60S-XX	2.5

Auxiliary Framing

Auxiliary Framing Clip Kit with Bolt

Material

- Clip - 11 Guage Steel
- Hardware - Grade 5

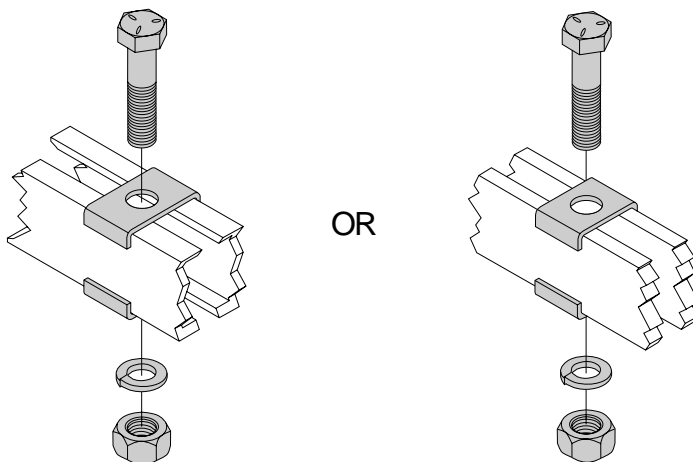
Finish

- Zinc and Yellow

Notes

Contains

- (1) 5/8"-11 X 3" Hex Head Cap Screw, 5/8" Lock Washer, 5/8" Hex Nut
- (2) Framing Clip



OR

Auxiliary Channel

Part Number	Weight(lbs.)
AUX2258	2.5

Auxiliary Bar

Part Number	Weight(lbs.)
AUX2258BR	2.5

Double Framing Clip Kit with Bolt

Material

- Splice - 11 Gauge Steel
- Hardware - Grade 5

Finish

- Zinc and Yellow

Notes

Contains

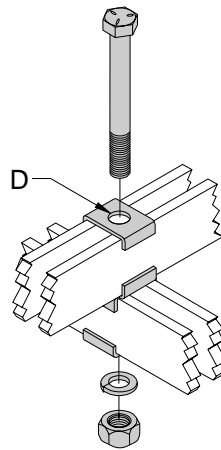
- (1) Double Clip, 1/2"-13 X 5" Hex Head Cap Screw
- 1/2" Lock Washer, 1/2" Hex Nut
- (2) Framing Clip

Auxiliary Channel

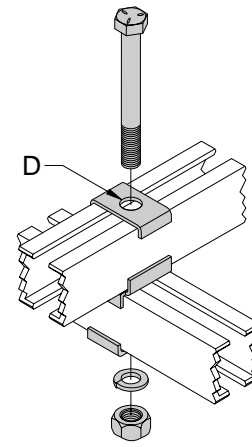
Part Number	D	Weight(lbs)
AUX5512	9/16"	0.3
AUX5558	11/16"	0.3

Auxiliary Bar

Part Number	D	Weight(lbs)
AUX47	9/16"	0.3
AUX5558BR	11/16"	0.3



OR



Auxiliary Framing Splice Kit (Friction)

Material

- 9 Gauge Steel
- Hardware - Grade 5

Finish

- Zinc and Yellow

Notes

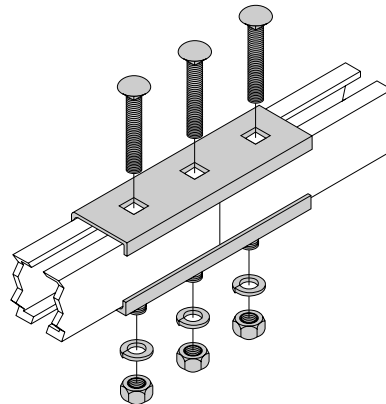
- (2) Splice Clip
- (3) 1/2"-13 Carriage Bolt, 1/2" Lock Washers, 1/2" Hex Nut

Auxiliary Channel

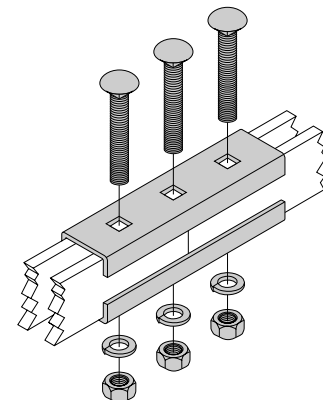
Part Number	Weight(lbs.)
AUX10	2.4

Auxiliary Bar

Part Number	Weight(lbs.)
AUX1000-01-ZY	2.4



OR



Auxiliary Channel Splice Kit With Block (Seismic)

Material

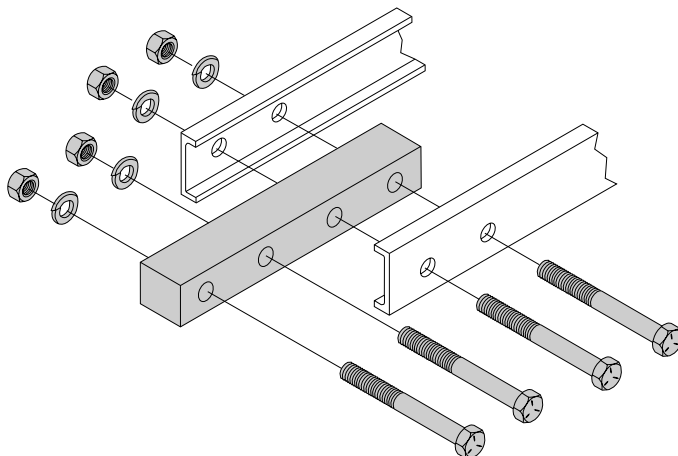
- 1-1/2" X 1-1/3" Steel bar
- Hardware - Grade 5

Finish

- GR = Telco Gray
- ZY = Zinc and Yellow
- Other Colors Available

Notes

- (1) Block
- (4) 1/2"-13 X 2-1/2" Hex Head Cap Screw, 1/2" Lock Washer, 1/2" Hex Nut
- Typically used in seismic applications



Part Number	Weight(lbs.)
AUX15-XX	5.5

Auxiliary Framing

Auxiliary Channel Splice Kit With Plates (Seismic)

Material

- 3/8" Steel Flatbar
- Hardware - Grade 5

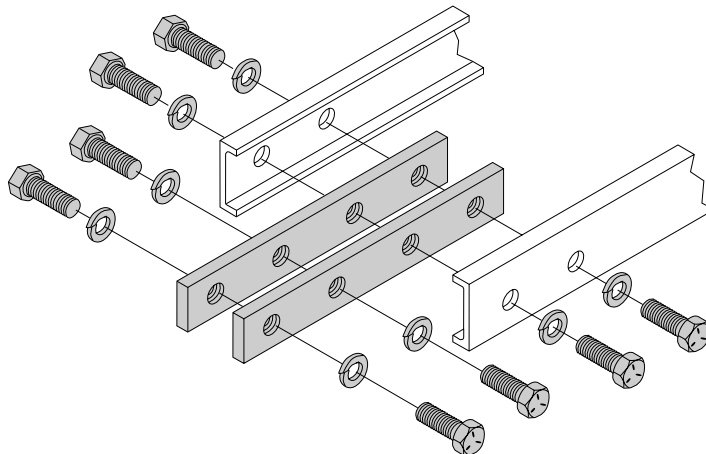
Finish

- GR = Telco Gray
- ZY = Zinc and Yellow
- Other Colors Available

Notes

Contains

- (2) Splice Plate
- (8) 1/2"-13 X 5/8" Hex Head Cap Screw, 1/2" Lock Washer



Part Number	Weight(lbs.)
AUX08-XX	2.8

Auxiliary Channel Splice Kit (Internal) or (External)

Material

- Splice - 11 Gauge Steel
- Hardware - Grade 5

Finish

- Zinc and Yellow

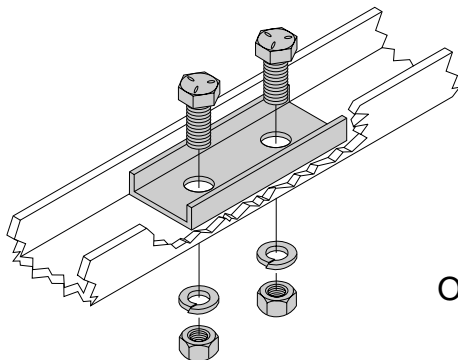
Notes

Contains (AUX11)

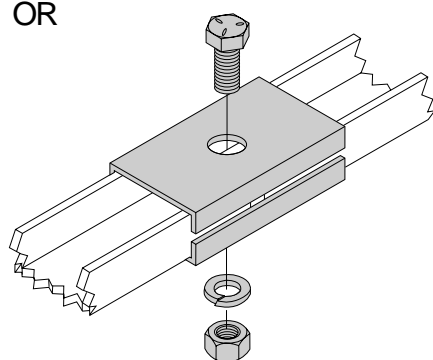
- (1) Splice Clamp
- (2) 1/2"-13 X 1" Hex Head Cap Screw, 1/2" Lock Washer, 1/2" Hex Nut

Contains (AUX09)

- (2) Splice Clamp
- (1) 3/8"-16 X 1-3/4" Hex Head Cap Screw, 3/8" Lock Washer, 3/8" Hex Nut



OR



(Internal)

Part Number	Weight(lbs.)
AUX11	0.7

(External)

Part Number	Weight(lbs.)
AUX09	0.7

Anti-Slip Kit for Cable Rack to Auxiliary Channel

Material

- Splice - 11 Gauge Steel
- Hardware - Grade 5

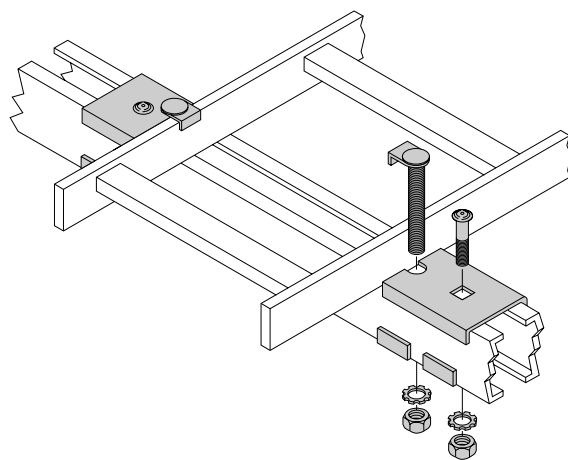
Finish

- Zinc and Yellow

Notes

Contains

- (2) Anti-Slip Clip, 1/2"-13 Clip J-Bolt, 1/2" Carriage Bolt
- (4) External Tooth Lock Washer, 1/2" Hex Nut, Framing Clip



Part Number	Stringer	Weight(lbs.)
AUX40-ZY	3/8" x 1-1/2"	2.4
AUX38-ZY	3/8" x 2"	2.4

Splice Kit for 1" x 2" Channel

Material

- 1/4" Steel Flatbar
- Hardware - Grade 5

Finish

- Telco Gray
- Other Colors Available

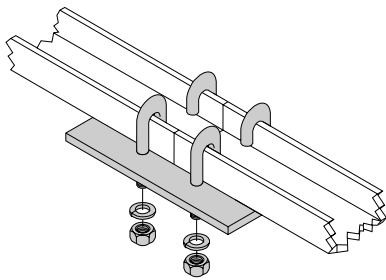
Notes

Contains (AUX19)

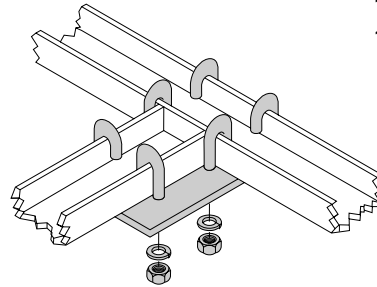
- (1) Plate,
- (4) 1/4"-20 X 1-3/4" J-Bolts, 1/4" Lock Washer, 1/4" Hex Nut

Contains (AUX13)

- (1) Plate,
- (6) 1/4"-20 X 1-3/4" J-Bolts, 1/4" Lock Washer, 1/4" Hex Nut



Part Number	Weight(lbs.)
AUX19	4.8



Part Number	Weight(lbs.)
AUX13	5.1

Auxiliary Framing

"T" Junction and "X" Junction Kit (Seismic)

Material

- Bracket - 3/8" Steel
- Clips - 11 Gauge Steel
- Hardware - Grade 5
- Plate - 3/8" Steel

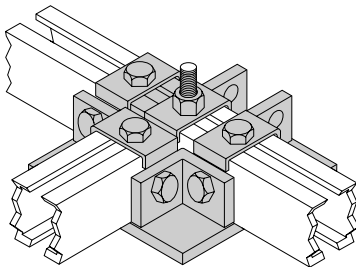
Finish

- Telco Gray
- Other Colors Available

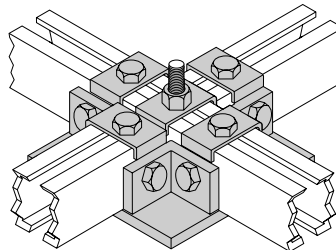
Notes

Contains

- (1) Plate
- (4) 5/8"-11X 3-1/4" Hex Head Cap Screw, 1/2"-13 X 3-1/4" Hex Head Cap Screw, 1/2" Lock Washer, 5/8" Hex Nut
- (5) 5/8" Framing Clip
- (6) 5/8" Lock Washer, 5/8" Hex Nut



OR



Part Number	Weight(lbs.)
AUX20	9.0

Junction Kit for Auxiliary Framing with 3 Hole Plates

Material

- 3/8" Steel Flatbar
- Hardware - Grade 5

Finish

- Telco Gray
- Other Colors Available

Notes

Contains

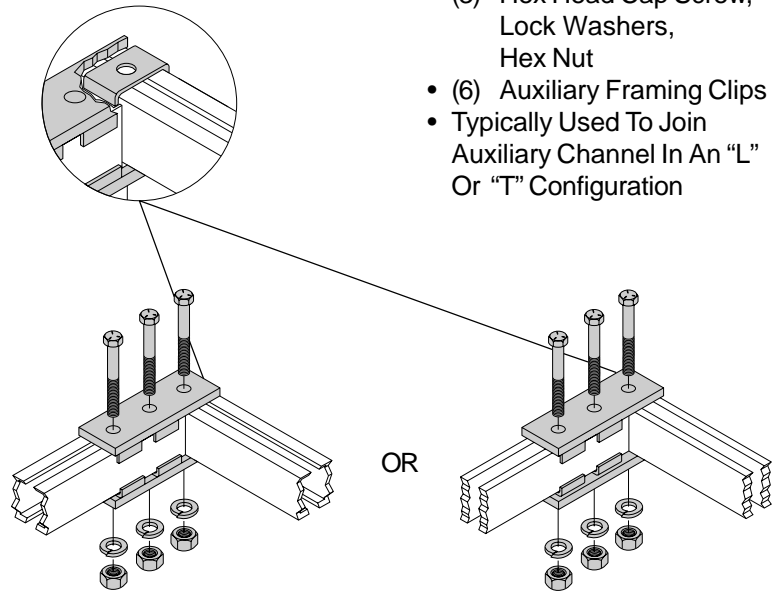
- (2) Plates
- (3) Hex Head Cap Screw, Lock Washers, Hex Nut
- (6) Auxiliary Framing Clips
- Typically Used To Join Auxiliary Channel In An "L" Or "T" Configuration

Auxiliary Channel

Part Number	Hardware	Weight(lbs.)
AUX16	1/2"	1.1
AUX16-1	5/8"	1.3

Auxiliary Bar

Part Number	Hardware	Weight(lbs.)
AUX16-2	1/2"	1.1
AUX16-3	5/8"	1.3



Junction Kit for Auxiliary Framing with 5 Hole Plates

Material

- 3/8" Steel Flatbar
- Hardware - Grade 5

Finish

- Telco Gray
- Other Colors Available

Notes

Contains

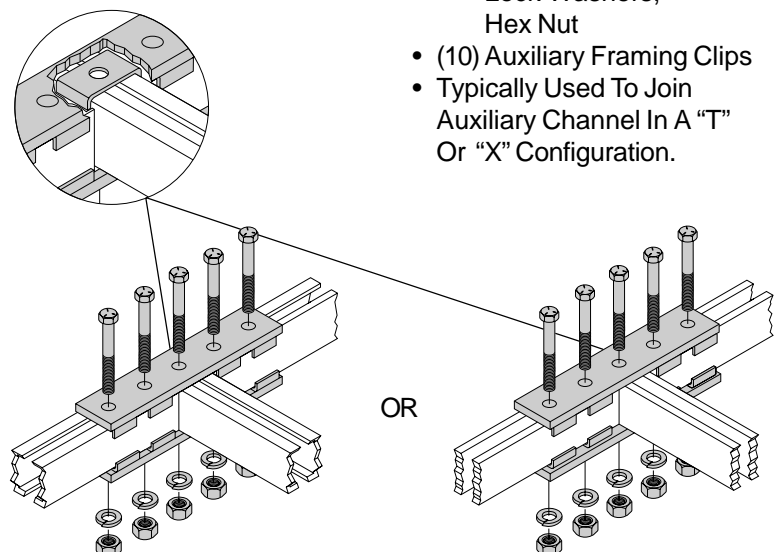
- (2) Plates
- (5) Hex Head Cap Screw, Lock Washers, Hex Nut
- (10) Auxiliary Framing Clips
- Typically Used To Join Auxiliary Channel In A "T" Or "X" Configuration.

Auxiliary Channel

Part Number	Hardware	Weight(lbs.)
AUX17	1/2"	2.2
AUX17-1	5/8"	2.4

Auxiliary Bar

Part Number	Hardware	Weight(lbs.)
AUX17-2	1/2"	2.2
AUX17-3	5/8"	2.4



Intersection Kit for 1"x 2" Auxiliary Channel

Material

- 1/4" Steel Flatbar
- Hardware - Grade 5

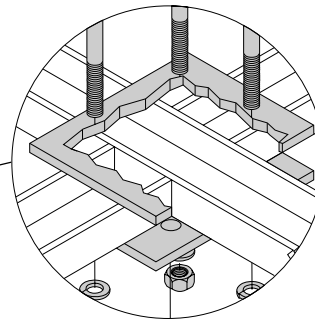
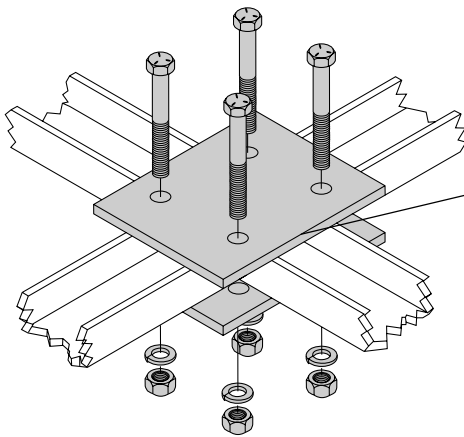
Finish

- GR = Telco Gray
- ZY = Zinc and Yellow
- Other Colors Available

Notes

Contains

- (2) 4" x 5" Plates
- (4) 3/8"-16 X 2" Hex Head Cap Screw, 3/8" Lock Washers, 3/8" Hex Nut



Part Number	Weight(lbs.)
AUX43-XX	3.1

Crossover Kit for 1"x 2" Auxiliary Channel

Material

- 1/4" Steel Flatbar
- Hardware - Grade 5

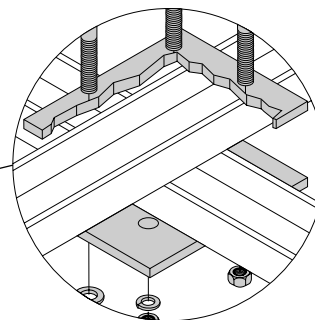
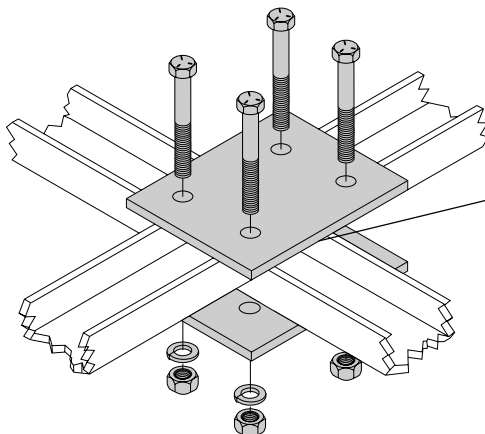
Finish

- GR = Telco Gray
- ZY = Zinc and Yellow
- Other Colors Available

Notes

Contains

- (2) 4" x 5" Plates
- (4) 3/8"-16 X 3" Hex Head Cap Screw, 3/8" Lock Washers, 3/8" Hex Nut



Part Number	Weight(lbs.)
AUX44-XX	3.3

Auxiliary Framing Clip Kit

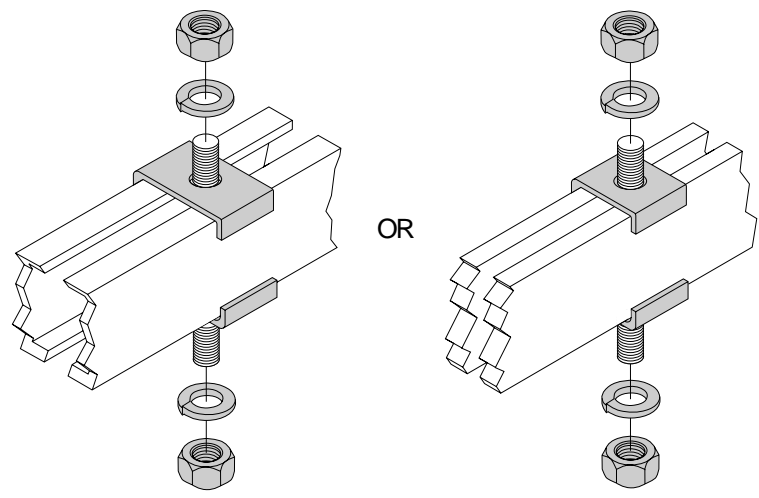
Material	Finish	Notes
<ul style="list-style-type: none"> • 11 Gauge Steel • Hardware - Grade 5 	<ul style="list-style-type: none"> • Zinc and Yellow 	Contains <ul style="list-style-type: none"> • (2) Framing Clips, 1/2" Hex Nut, 1/2" Lock Washers

Auxiliary Channel

Part Number	T.Rod	Weight(lbs)
AUX4012	1/2"-13	0.3
AUX4058	5/8"-11	0.3

Auxiliary Bar

Part Number	T.Rod	Weight(lbs)
AUX4112	1/2"-13	0.3
AUX4158	5/8"-11	0.3



Double Framing Clip Kit for Threaded Rod

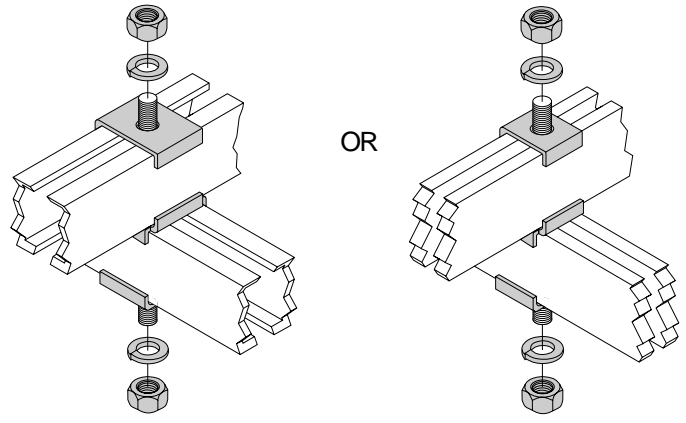
Material	Finish	Notes
<ul style="list-style-type: none"> • 11 Gauge Steel • Hardware - Grade 5 	<ul style="list-style-type: none"> • Zinc and Yellow 	Contains <ul style="list-style-type: none"> • (1) Double Clip • (2) Framing Clips, 1/2" Hex Nut, 1/2" Lock Washers

Auxiliary Channel

Part Number	T.Rod	Weight(lbs)
AUX5012	1/2"-13	0.7
AUX5058	5/8"-11	0.7

Auxiliary Bar

Part Number	T.Rod	Weight(lbs)
AUX5112	1/2"-13	0.7
AUX5158	5/8"-11	0.7



J-Bolt Plate Kit for 1" x 2" Channel to Cable Rack

Material

- 1/4" Steel Flatbar
- Hardware - B7

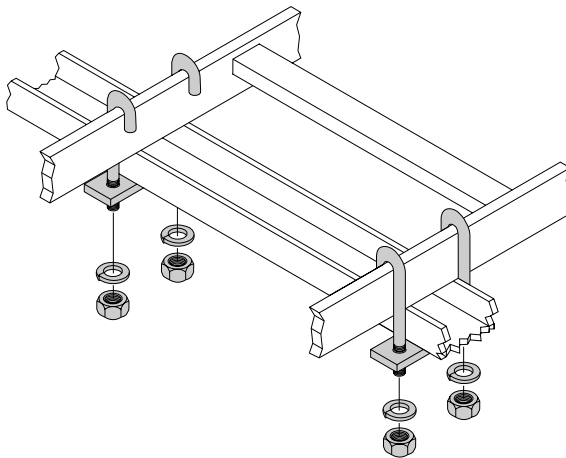
Finish

- Zinc and Yellow

Notes

Contains

- (2) Plate
- (4) 1/4" J-Bolt,
1/4" Lock Washer,
1/4" Hex Nut



Part Number	Stringer	Weight(lbs.)
JBPK2	3/8" x 1-1/2"	0.9
JBPK6	3/8" x 2"	1.0

Auxiliary Framing

J-Bolt Plate Kit for 1" x 2" Channel and C. R. to E. R.

Material

- 1/4" Steel Flatbar
- Hardware - B7

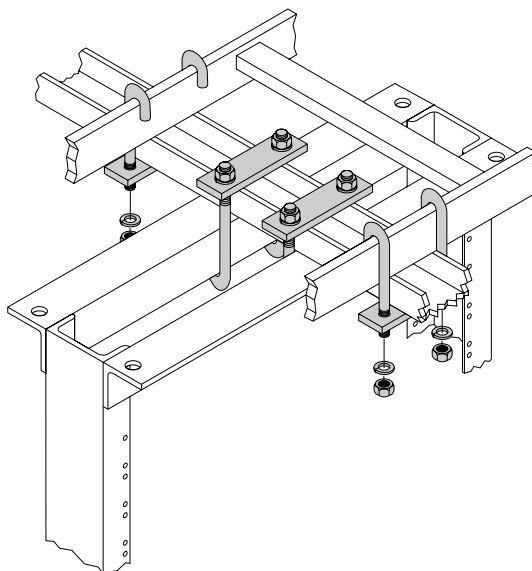
Finish

- Zinc and Yellow

Notes

Contains

- (4) Plate
1/4" J-Bolt,
5/16" J-Bolt,
5/16" Lock Washer,
5/16" Hex Nut,
1/4" Lock Washer,
1/4" Hex Nut



Part Number	Stringer	Weight(lbs.)
JBPK3	3/8" x 1-1/2"	1.3
JBPK3-2	3/8" x 2"	1.4

J-Bolt Plate Kit for 1" x 2" Channel to 1" Top Bar

Material

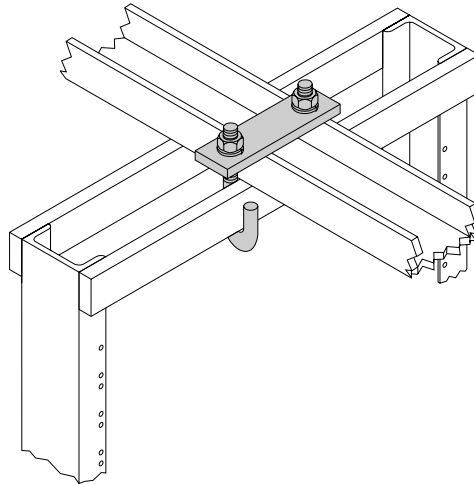
- 1/4" Steel Flatbar
- Hardware - B7

Finish

- Zinc and Yellow

Notes
Contains

- (1) Plate
- (2) 1/4"-20 X 3-3/4" J-Bolt, 1/4" Lock Washer, 1/4" Hex Nut



Part Number	Weight(lbs.)
JBPK4	0.5

J-Bolt Plate Kit for 1" x 2" Channel to Top Angle

Material

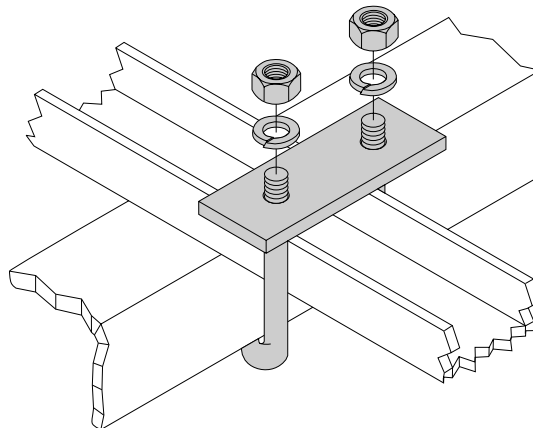
- 1/4" Steel Flatbar
- Hardware - B7

Finish

- Zinc and Yellow

Notes
Contains

- (1) Plate
- (2) 5/16"-18 X 3-3/4" J-Bolt, 5/16" Lock Washer, 5/16" Hex Nut



Part Number	Weight(lbs.)
JBPK5	0.6

V-Bolt Plate Kit for 1" x 2" Channel to Top Angle

Material

- 1/4" Steel Flatbar
- Hardware - B7

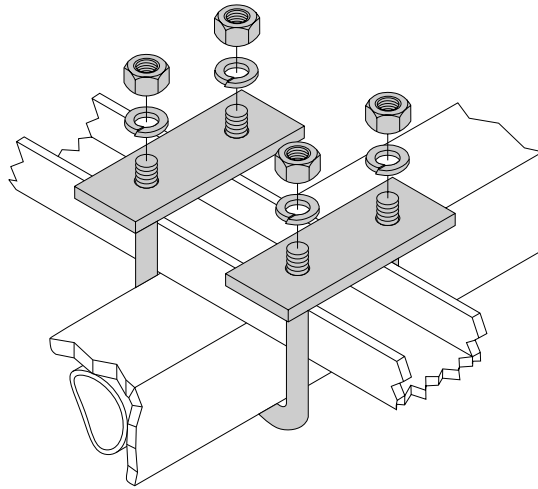
Finish

- Zinc and Yellow

Notes

Contains

- (2) Plate, 3/8"-16 X 4" V-Bolt
- (4) 3/8" Lock Washer, 3/8" Hex Nut



Part Number	Weight(lbs.)
AUX18	2.0

Auxiliary Framing

V-Bolt Plate Kit for Pipe to 2" Top Angle

Material

- 1/4" Steel Flatbar
- Hardware - B7

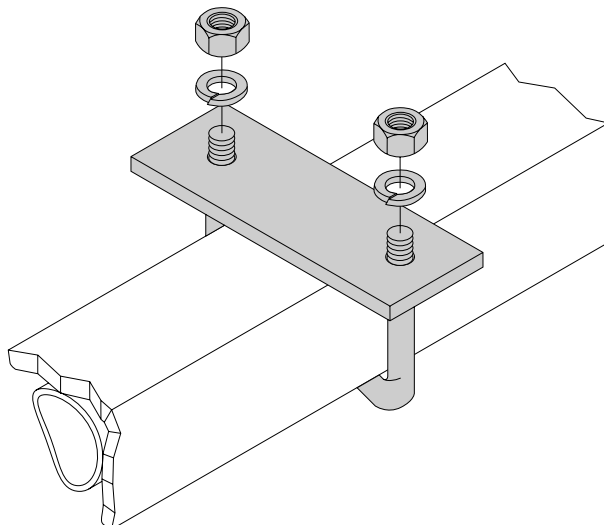
Finish

- Zinc and Yellow

Notes

Contains

- (1) Plate, 3/8"-16 X 2" V-Bolt
- (2) 3/8" Lock Washer, 3/8" Hex Nut



Part Number	Weight(lbs.)
AUX25	2.0

V-Bolt Kit for Auxiliary Channel to Top Angle

Material

- Hardware - B7
- 11 Gauge Steel

Finish

- Zinc and Yellow

Notes

Contains

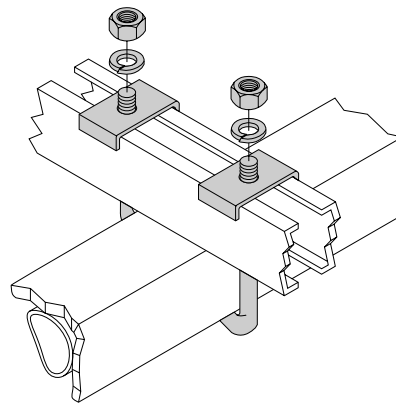
- (1) 1/2"-13 X 5" V-Bolt
- (2) Framing Clip, 1/2" Lock Washer, 1/2" Hex Nut

Auxiliary Channel

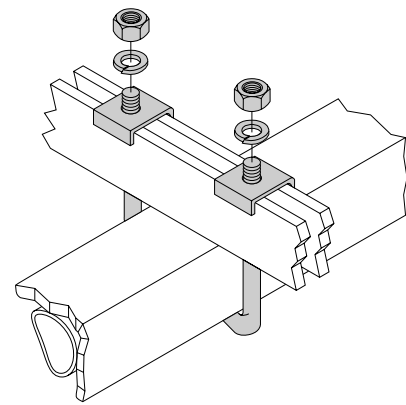
Part Number	Weight(lbs.)
AUX26	2.0

Auxiliary Bar

Part Number	Weight(lbs.)
AUX26BR	2.0



OR



V-Bolt Plate Kit for Aux. Channel from Top Angle

Material

- 1/4" Steel Flatbar
- Hardware - Grade 5
- 11 Gauge Steel

Finish

- Zinc and Yellow

Notes

Contains

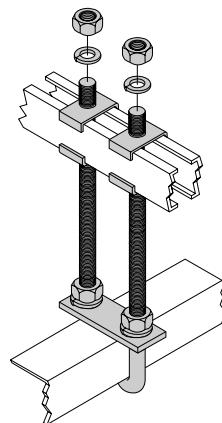
- (1) Plate
- (1) 5/8"-11 X 13" V-Bolt
- (4) Framing Clip
- (6) 5/8" Lock Washer, 5/8" Hex Nut

Auxiliary Channel

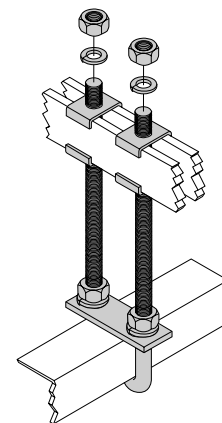
Part Number	Weight(lbs.)
AUX36	3.7

Auxiliary Bar

Part Number	Weight(lbs.)
AUX36BR	3.7



OR



V-Bolt Kit, Attach Aux. Channel to Top Angle

Material

- Hardware - Grade 5
- 11 Gauge Steel

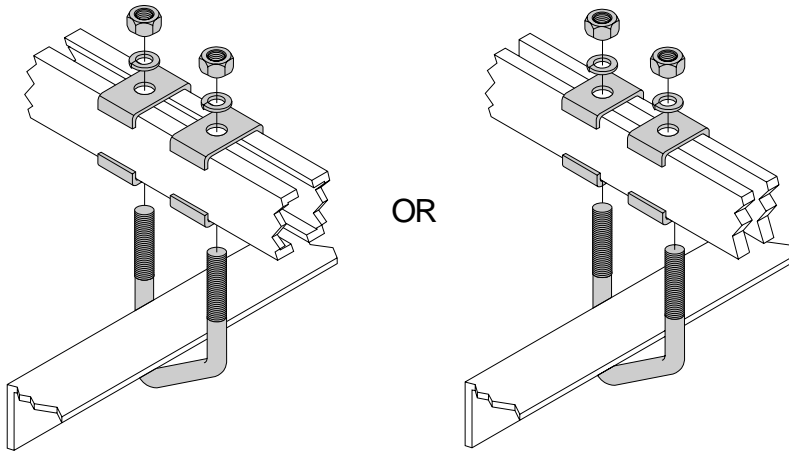
Finish

- Zinc and Yellow

Notes

Contains

- (1) 1/2"-13 X 5" V-Bolt
- (2) 1/2" Lock Washer, 1/2" Hex Nut
- (4) Framing Clip



Auxiliary Channel

Part Number	Weight(lbs.)
AUX37	2.7

Auxiliary Bar

Part Number	Weight(lbs.)
AUX37BR	2.7

Auxiliary Framing

Frame Support Kit From Auxiliary Framing

Material

- Hardware - Grade 5
- 11 Gauge Steel

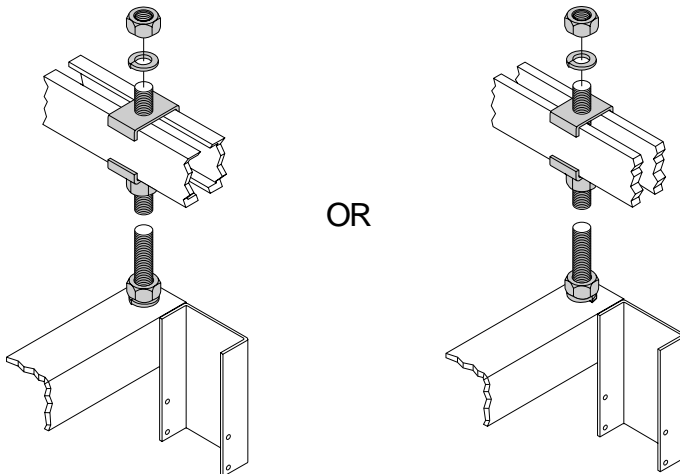
Finish

- Zinc and Yellow

Notes

Contains

- (2) Framing Clips
- (4) 5/8" Lock Washer, 5/8" Hex Nut



Auxiliary Channel

Part Number	Weight(lbs.)
AUX33	2.7

Auxiliary Bar

Part Number	Weight(lbs.)
AUX33BR	2.7

Support Kit for Aux. Framing from Top Angle w/ Spacer

Material

- 7 Gauge Steel
- 11 Gauge Steel
- Grade 5 Hardware

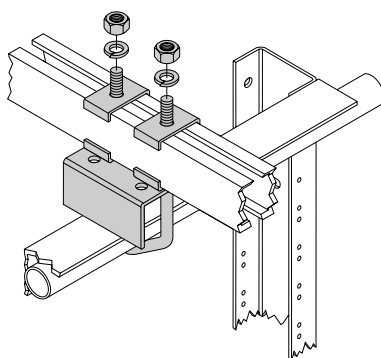
Finish

- Telco Gray
- Other Colors Available

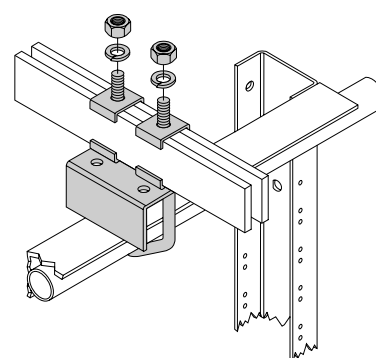
Notes

Contains

- (1) Spacer
- (1) 1/2"-13 X 8" V-Bolt
- (2) 1/2" Lock Washers, 1/2" Hex Nuts
- (4) Framing Clips



OR



Auxiliary Channel

Part Number	Weight(lbs.)
AUX28	3.7

Auxiliary Bar

Part Number	Weight(lbs.)
AUX28BR	3.7

Support Kit for Equipment Rack from Aux. Framing

Material

- 11 Gauge Steel
- 1/4" Steel
- Grade 5 Hardware

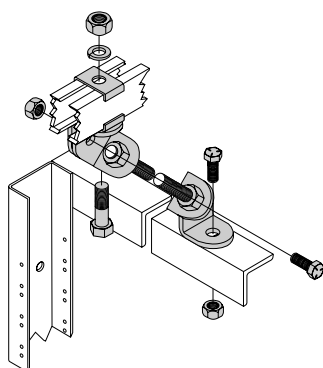
Finish

- Zinc and Yellow

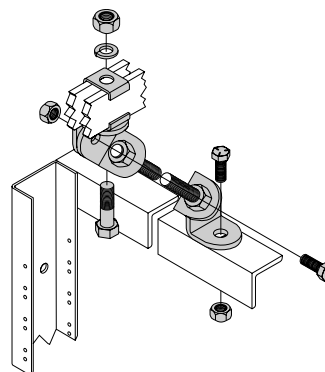
Notes

Contains

- (1) 5/8"-11 X 3-1/4" Hex Head Cap Screw, 5/8" Lock Washer
- (2) Framing Clips
- (3) 1/2"-13 X 1-1/4" Hex Head Cap Screws, 1/2" Hex Nuts
- (4) Angle Brackets
- (5) 5/8" Hex Nuts



OR



Auxiliary Channel

Part Number	Weight(lbs.)
AUX29	3.2

Auxiliary Bar

Part Number	Weight(lbs.)
AUX29BR	3.2

Support Kit For Auxiliary Channel From Ceiling

Material

- Hardware - Grade 5

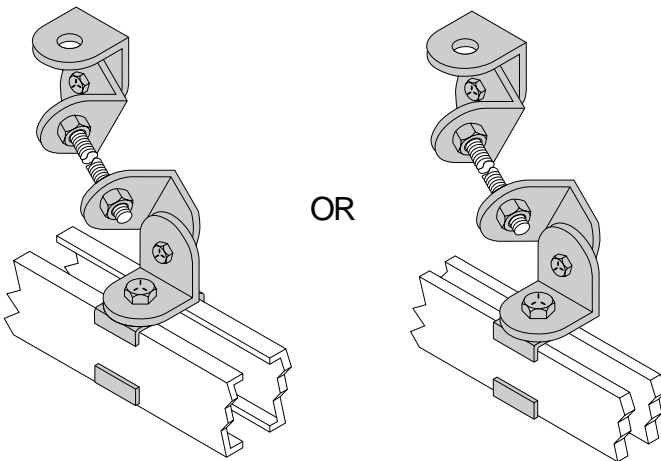
Finish

- Zinc and Yellow

Notes

Contains

- (1) 5/8"-11 X 3-1/4" Hex Head Cap Screw, 5/8" Lock Washer
- (2) Framing Clips, 1/2"-13 X 1-1/4" Hex Head Cap Screw, 1/2" Lock Washer, 1/2" Hex Nut
- (4) Angle Brackets
- (7) 5/8" Hex Nuts



OR

Auxiliary Channel

Part Number	Auxiliary Framing	Weight(lbs.)
AUX27	2" x 9/16"	3.4

Auxiliary Bar

Part Number	Auxiliary Framing	Weight(lbs.)
AUX27BR	2" x 3/8"	3.2

Auxiliary Framing

Swivel Bracket Kit For Threaded Rod Suspension

Material

- 1/4" Steel
- Hardware - Grade 5

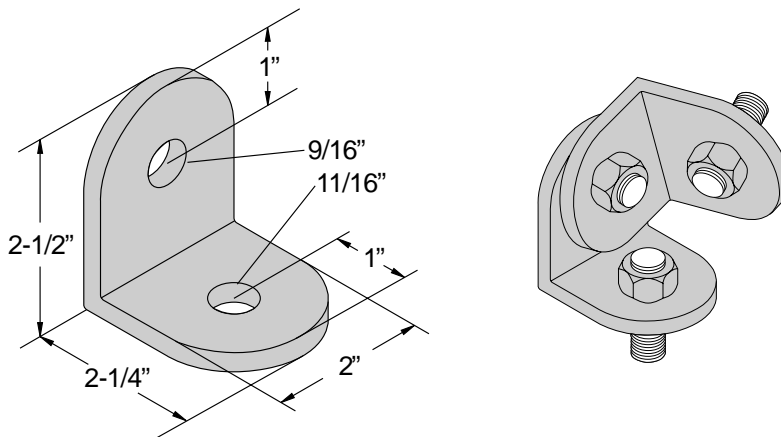
Finish

- Zinc and Yellow

Notes

Contains

- (2) Angle Bracket
- (1) 1/2"-13 X 1-1/4" Hex Head Cap Screw, 1/2" Lock Washer, 1/2" Hex Nut
- (4) 5/8" Lock Washer, 5/8" Hex Nut



Part Number	Weight(lbs.)
AUX3558	1.5

Angle Brace Kit

Material

- Angle Brace - 3/8" X 2" Steel Bar
- Clips - 11 Gauge Steel
- Hardware - Grade 5
- Angle - Not Included
(See AUX05 Series, Page 5)

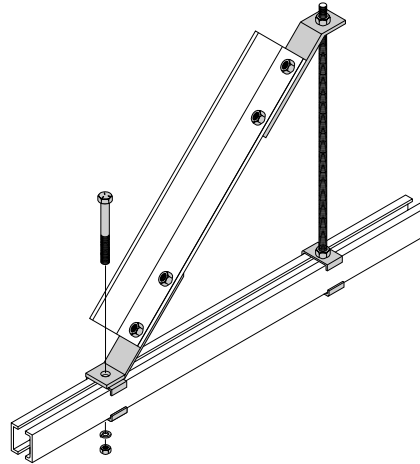
Finish

- Telco Gray
- Other Colors Available

Notes

Contains

- (1) 5/8"-11 X 3-1/2" Hex Head Cap Screw
- (2) Angle Brace
- (4) Framing Clip, 1/2"-13 X 1-1/4" Hex Head Cap Screw, 1/2" Lockwasher, 1/2" Hex Nut
- (5) 5/8" Lock Washer, 5/8" Hex Nut



Part Number	T.Rod	Weight(lbs)
AUX7058	5/8"	6.0

Double Hole Angle Brace Kit

Material

- Double Angle Brace - 3/8" x 2" Steel Bar
- Clips - 11 Gauge Steel
- Hardware - Grade 5
- Angle - Not Included
(See AUX05 Series, Page 5)

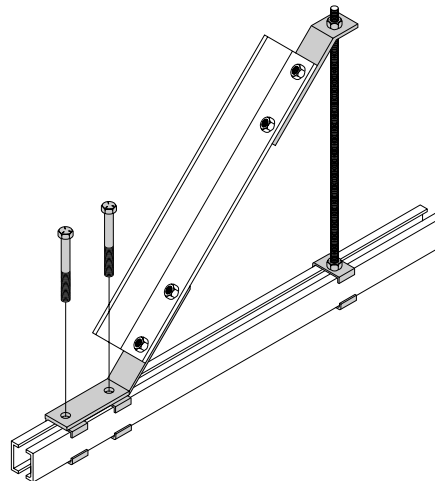
Finish

- Telco Gray
- Other Colors Available

Notes

Contains

- (2) Brace Angle, 5/8"-11 X 3-1/2" Hex Head Cap Screw
- (4) 1/2"-13 X 1-1/4" Hex Head Cap Screw, 1/2" External Tooth Lock Washer, 1/2" Hex Nut
- (6) Framing Clip, 5/8" External Tooth Lock Washer, 5/8" Hex Nut



Part Number	T.Rod	Weight(lbs)
AUX7158	5/8"	10.0

Double Angle Brace Kit

Material

- Double Angle Brace - 3/8" X 2" Steel Bar
- Clips - 11 Gauge Steel
- Hardware - Grade 5
- Angle - Not Included
(See AUX05 Series, Page 5)

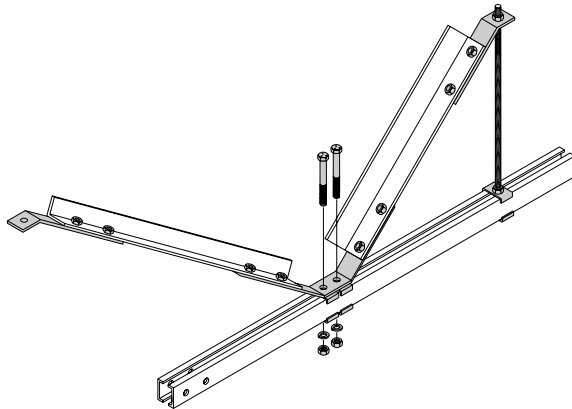
Finish

- Telco Gray
- Other Colors Available

Notes

Contains

- (1) Double Angle Brace
- (2) Angle Brace, 5/8"-11 X 3-1/4" Hex Head Cap Screw,
- (8) Framing Clip 1/2"-13 X 1-1/4" Hex Head Cap Screw, 1/2" Lock Washer, 1/2" Hex Nut
- (10) 5/8" Lock Washer, 5/8" Hex Nut



Part Number	T.Rod	Weight(lbs)
AUX7558	5/8"	10.0

Auxiliary Framing

Auxiliary Channel to Cable Rack Brace Kit

Material

- Angle Brace - 3/8" X 2" Steel Bar
- Clips - 11 Gauge Steel
- Hardware - Grade 5
- Angle - Not Included
(See AUX05 Series, Page 5)

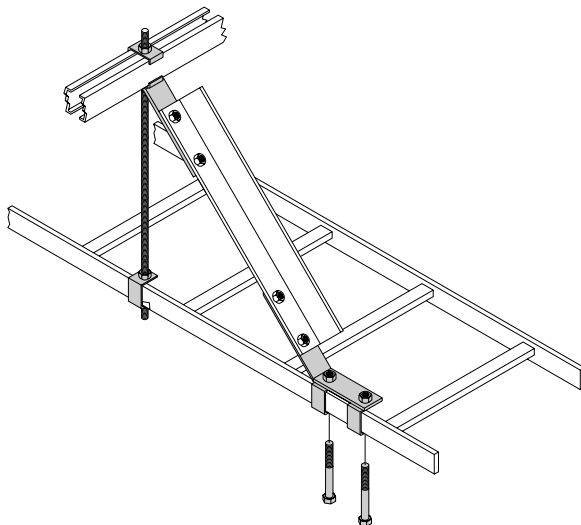
Finish

- Telco Gray
- Other Colors Available

Notes

Contains

- (2) Angle Brace, Framing Clip, 5/8"-11 X 2-1/2" Hex Head Cap Screw
- (3) Hanger Bracket
- (4) 1/2"-13 X 1-1/4" Hex Head Cap Screw, 1/2" External Tooth Lock Washer, 1/2" Hex Nut
- (8) 5/8" External Tooth Lock Washer, 5/8" Hex Nut

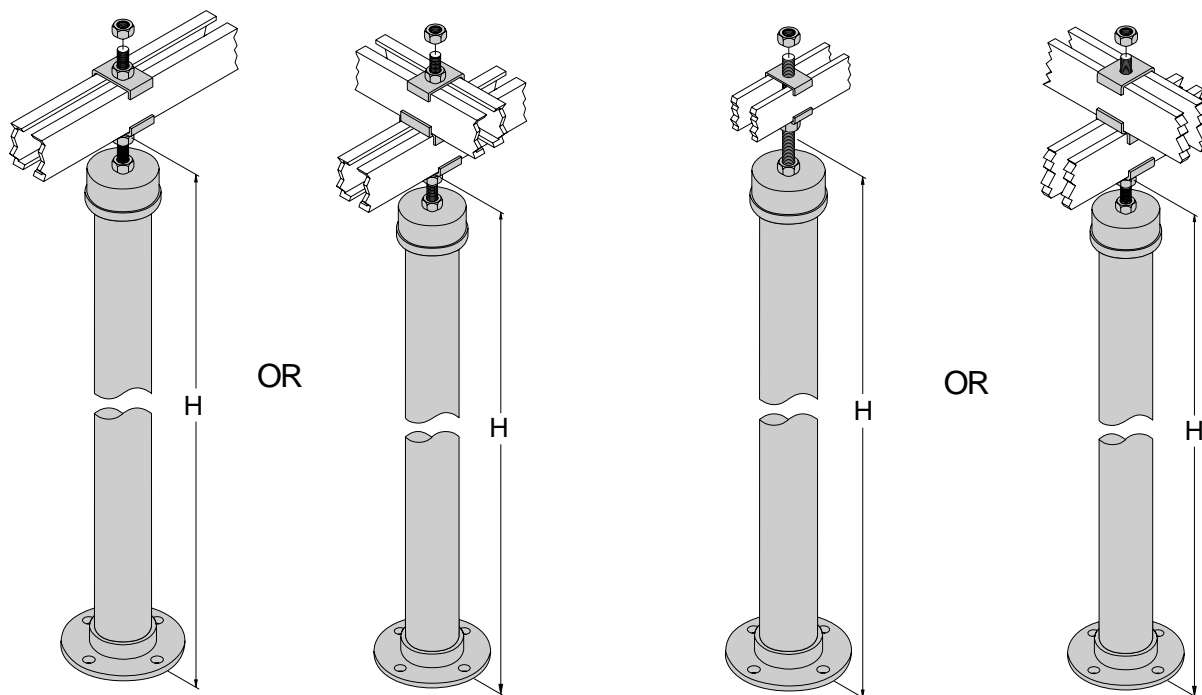


Part Number	Stringer	Weight(lbs)
AUX1002-01-XX	1-1/2"	8.0
AUX1002-02-XX	2"	9.0

Pipe Stand Kit with Cap and Flange

Material	Finish	Notes
<ul style="list-style-type: none"> Schedule 40 Pipe Clips - 11 Gauge Hardware - Grade 5 	<ul style="list-style-type: none"> GR = Telco Gray BK = Black ZY = Zinc and Yellow BR = Brown Other Colors Available 	<p>Contains</p> <ul style="list-style-type: none"> (1) Pipe Stand, Double Framing Clip (2) Framing Clips (3) 5/8" Hex Nut Other Heights Available

Auxiliary Framing



Auxiliary Channel

Part Number	H	Weight(lbs.)
AUX91-84-XX	84"	25.0
AUX91-90-XX	90"	26.6
AUX91-96-XX	96"	28.2
AUX91-108-XX	108"	31.4
AUX91-120-XX	120"	34.6

Auxiliary Bar

Part Number	H	Weight(lbs.)
AUX94-84-XX	84"	25.0
AUX94-90-XX	90"	26.6
AUX94-96-XX	96"	28.2
AUX94-108-XX	108"	31.4
AUX94-120-XX	120"	34.6

Pipe Stand Kit

Material

- Schedule 40 Pipe
- Clips - 11 Gauge
- Hardware - Grade 5

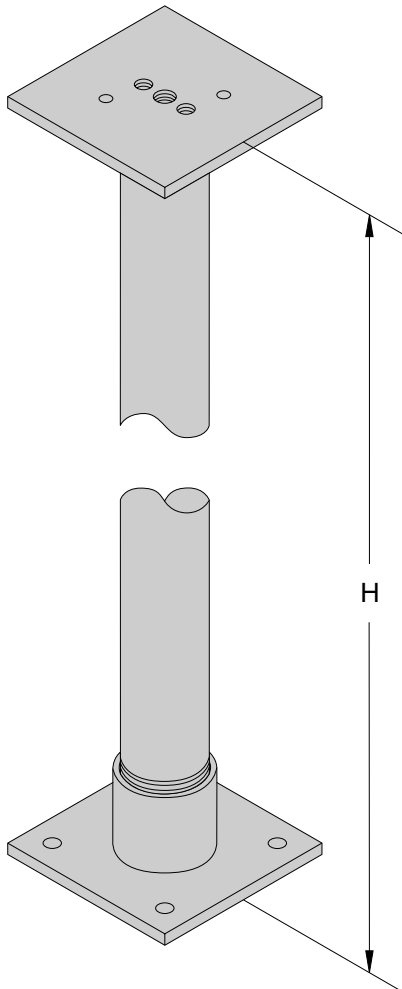
Finish

- GR = Telco Gray
- BK = Black
- ZY = Zinc and Yellow
- BR = Brown
- Other Colors Available

Notes

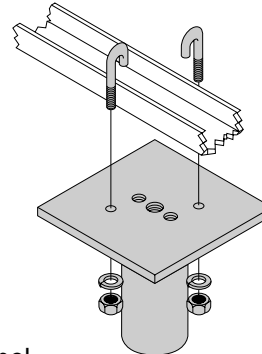
Contains

- (1) Pipe Stand
- (2) 1/2"-13 X 2-3/4" Hex Head Cap Screw, 3/8"-16 X 2-1/4" J-Bolt, 3/8" Lock Washer, 3/8" Hex Nut
- (4) Framing Clip
- Other Heights Available

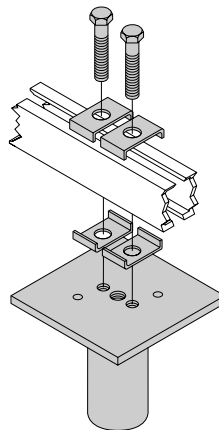


Top Angle Configurations

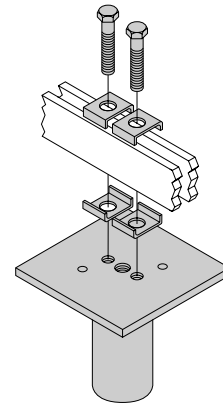
1" x 2" Auxiliary Channel with J-Bolts



Auxiliary Channel



Auxiliary Bar



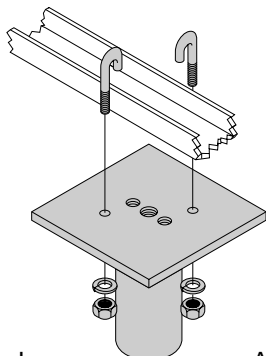
Part Number	H	Weight(lbs.)
AUX80-84-XX	84"	35.0
AUX80-90-XX	90"	36.7
AUX80-96-XX	96"	38.5
AUX80-108-XX	108"	42.0
AUX80-120-XX	120"	44.0
AUX80-138-XX	138"	45.5

Universal Pipe Stand Kit

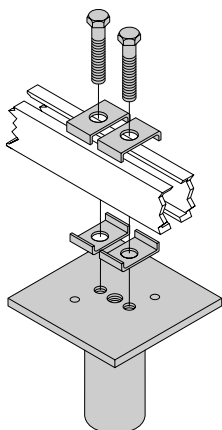
Material	Finish	Notes
<ul style="list-style-type: none"> Schedule 40 Pipe Clips - 11 Gauge Hardware - Grade 5 	<ul style="list-style-type: none"> GR = Telco Gray Other Color Available 	<p>Contains</p> <ul style="list-style-type: none"> (1) Pipe Stand (2) 1/2"-13 X 2-3/4" Hex Head Cap Screw, 3/8"-16 X 2-1/4" J-Bolt, 3/8" Knurled Set Screw, 3/8" Lock Washer, 3/8" Hex Nut (4) Framing Clip Other Heights Available

Top Plate Configuration

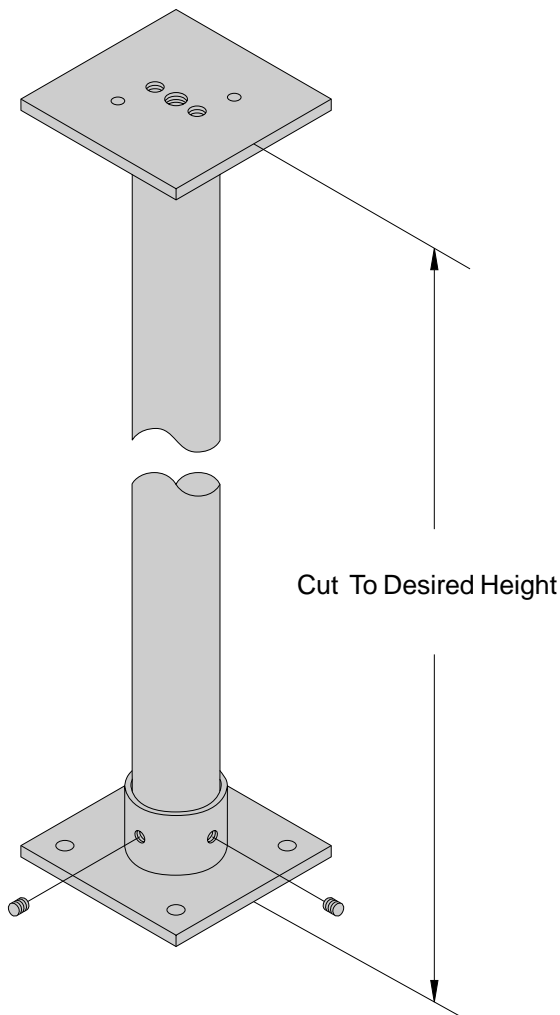
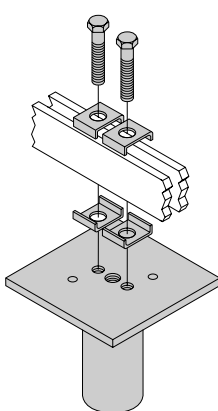
1" x 2" Auxiliary Channel with J-Bolts



Auxiliary Channel



Auxiliary Bar



Part Number	Max. Height	Weight(lbs.)
AUX85-XX	138"	45.5

Pipe Stand Kit for Supporting Auxiliary Channel

Material

- Schedule 40 Pipe
- Clips - 11 Gauge
- Hardware - Grade 5

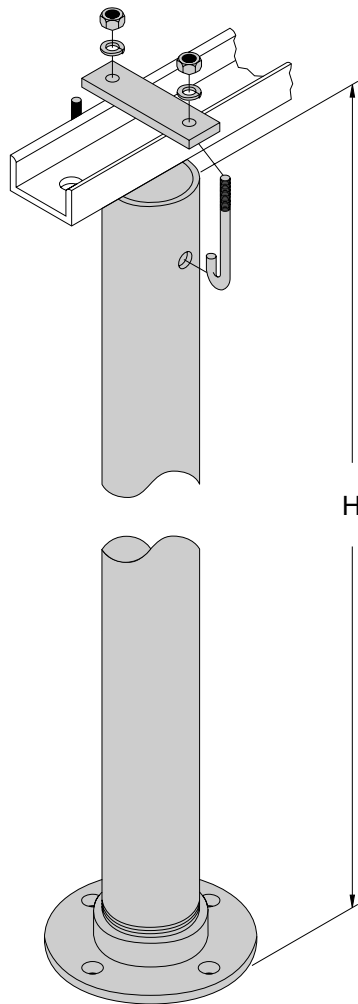
Finish

- GR = Telco Gray
- BK = Black
- ZY = Zinc and Yellow
- BR = Brown
- Other Colors Available

Notes

Contains

- (1) Pipe Stand, Flange, Plate
- (2) 1/4" - 20 X 3-1/4" J-Bolt, 1/4" Lock Washer, 1/4" Hex Nut
- Other Heights Available



Part Number	H	Weight(lbs.)
AUX83-84-XX	84"	25.0
AUX83-90-XX	90"	26.6
AUX83-96-XX	96"	28.2
AUX83-108-XX	108"	31.4
AUX83-138-XX	138"	34.6

Auxiliary Framing

Floor Mounting Kit for AUX91

Material

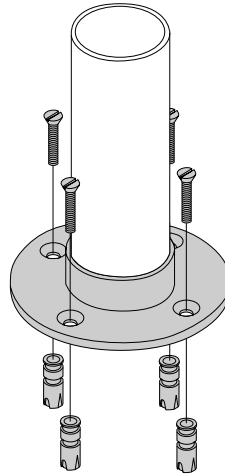
- Hardware - Grade 5

Finish

- Zinc and Yellow

Notes
Contains

- (4) 1/4" X 1-1/4" Machine Screw Expansion Shield, 1/4"-20 X 1-1/2" Flat Head Screws



Part Number	Weight(lbs.)
AUX96	1.1

Floor Mounting Kit for AUX80

Material

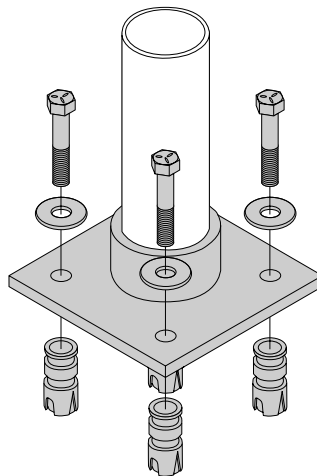
- Hardware - Grade 5

Finish

- Zinc and Yellow

Notes
Contains

- (4) 1/2" X 2" Machine Screw Expansion Shields, 1/2"-13 X 2-1/2" Hex Head Cap Screw, 1/2" Flat Washer



Part Number	Weight(lbs.)
AUX96-01	2.0

Stanchion Kit 3" and 5"

Material

- 3/8" and 1/2" Steel

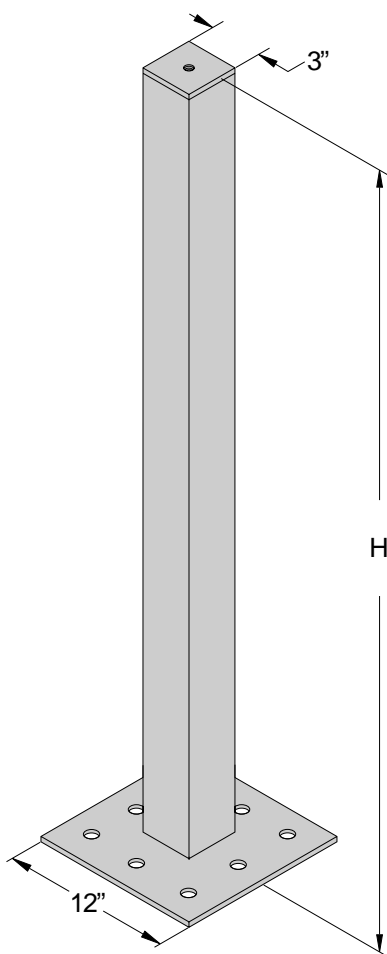
Finish

- GR = Telco Gray
- BK = Black
- BR = Brown
- Other Colors Available

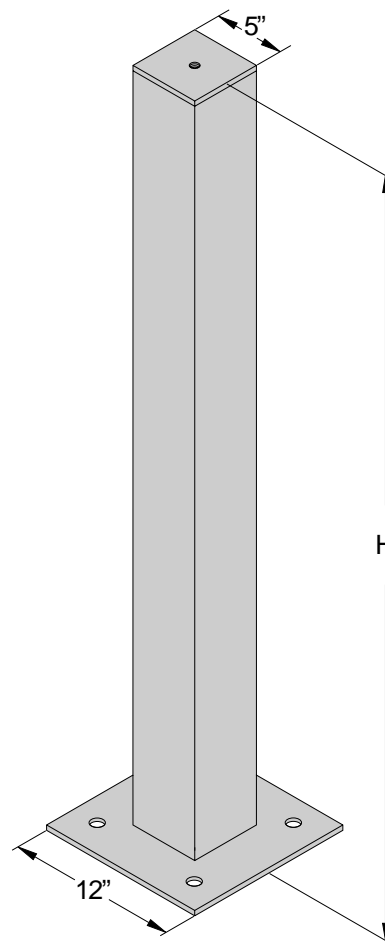
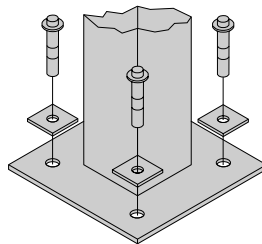
Notes

Contains

- (1) Stanchion, Top Plate, Bottom Plate
- Top Plate Tapped 5/8"-11
- Other Heights Available



Hardware Included with AUX93



3" Square Tubing

Part Number	H	Thickness of Top Plate	Thickness of Bottom Plate	Weight(lbs.)
AUX98-84-XX	84"	3/8"	1/2"	66.5
AUX98-86-XX	86"	3/8"	1/2"	68.0
AUX98-90-XX	90"	3/8"	1/2"	71.3
AUX98-106-XX	106"	3/8"	1/2"	79.0
AUX98-120-XX	120"	3/8"	1/2"	83.5

5" Square Tubing

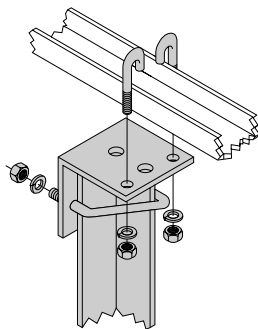
Part Number	H	Thickness of Top Plate	Thickness of Bottom Plate	Weight(lbs.)
AUX93-84-XX	84"	3/8"	3/8"	115.0
AUX93-90-XX	90"	3/8"	3/8"	121.0
AUX93-92-XX	92"	3/8"	3/8"	122.6
AUX97-90-XX	90"	1/2"	1/2"	123.0
AUX97-138-XX	138"	1/2"	1/2"	185.0
AUX97-152-XX	152"	1/2"	1/2"	205.0

Angle Column Stand

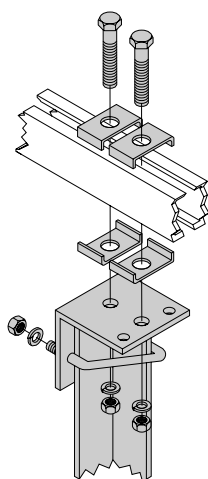
Material	Finish	Notes
<ul style="list-style-type: none"> • 2"x 2"x 1/4" Steel Angle • Clips - 11 Gauge • Hardware - Grade 5 	<ul style="list-style-type: none"> • GR = Telco Gray • BK = Black • ZY = Zinc and Yellow • BR = Brown • Other Colors Available 	<p>Contains</p> <ul style="list-style-type: none"> • (1) Angle Column Stand • (2) Top Angle, Bottom Angle, 1/2"-13 X 2-1/2" Hex Head Cap Screw, 3/8"-16 X 2-1/4" J-Bolt, 3/8"-16 X 3" X 2-16"V-Bolt, 1/2" Lock Washer, 1/2" Hex Nut • (6) 3/8" Lock Washer, 3/8" Hex Nut • (8) Framing Clip • Other Heights Available

Top Angle Configurations

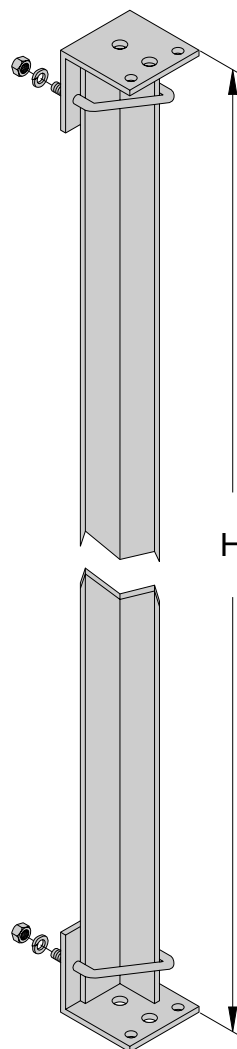
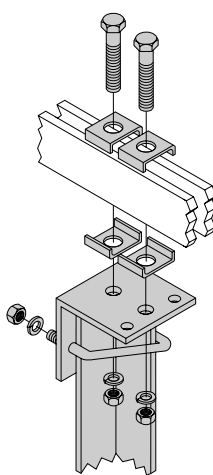
1" x 2" Auxiliary Channel with J-Bolts



Auxiliary Channel



Auxiliary Bar



Part Number	H	Weight(lbs.)
AUX92-84-XX	84"	19.9
AUX92-90-XX	90"	21.2
AUX92-96-XX	96"	22.3
AUX92-120-XX	120"	25.0

Auxiliary Framing Clip and Bracket Kit With Bolt

Material

- 1/4" Steel Flatbar
- Hardware - Grade 5
- 11 Gauge Steel

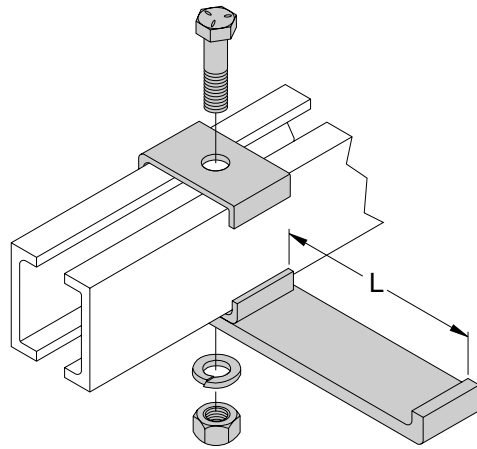
Finish

- GR = Telco Gray
- BK = Black
- ZY = Zinc and Yellow
- BR = Brown
- Other Colors Available

Notes

Contains

- (1) Bracket, 1/2"-13 X 3-1/4" Hex Head Cap Screw, 1/2" Lock Washer, 1/2" Hex Nut
- (2) Framing Clip



Part Number	L	Weight(lbs.)
AUX1024-11-ZY	4"	1.1
AUX1024-12-ZY	6"	1.4
AUX1024-13-ZY	8"	1.8

Auxiliary Framing

Power Cable Bracket Kit for Auxiliary Channel

Material

- 1/4" Steel Flatbar
- Hardware - Grade 5

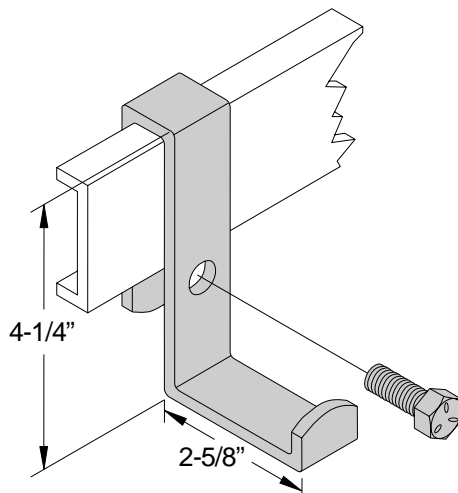
Finish

- Telco Gray
- Other Colors Available

Notes

Contains

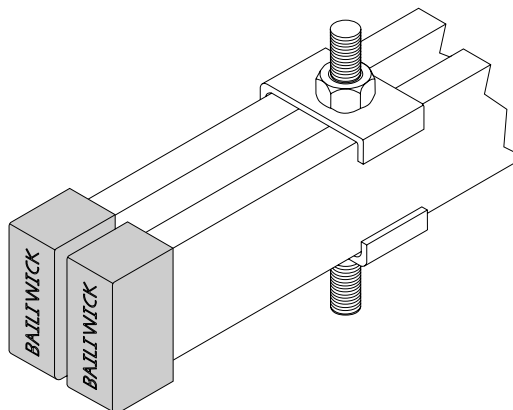
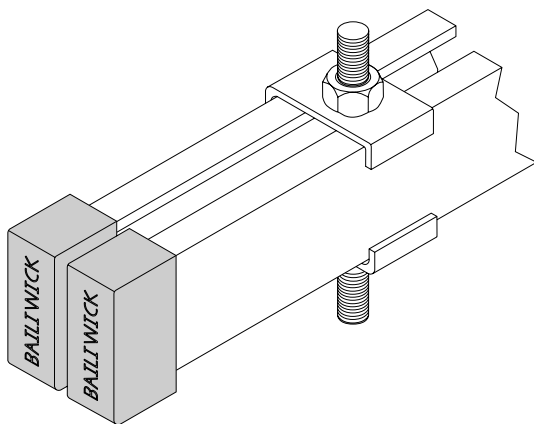
- (1) Bracket, 3/8-16 X 1" Hex Head Cap Screw



Part Number	Weight(lbs.)
AUX1040-XX	1.1

Rubber End Caps

Material	Finish	Notes
<ul style="list-style-type: none"> Neoprene Rubber 	<ul style="list-style-type: none"> Black 	Contains <ul style="list-style-type: none"> (2) Rubber End Caps Meets U.L. 94-V-0 Flame Resistance.



Auxiliary Channel

Part Number	Channel Size	Weight(lbs.)
AUX90	2" x 9/16"	.20

Auxiliary Bar/Cable Rack

Part Number	Bar Size	Weight(lbs.)
CR951	1-1/2" x 3/8"	.18
CR952	2" x 3/8"	.20